

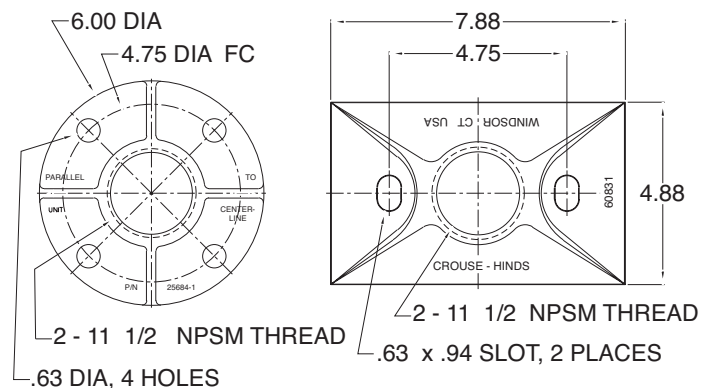
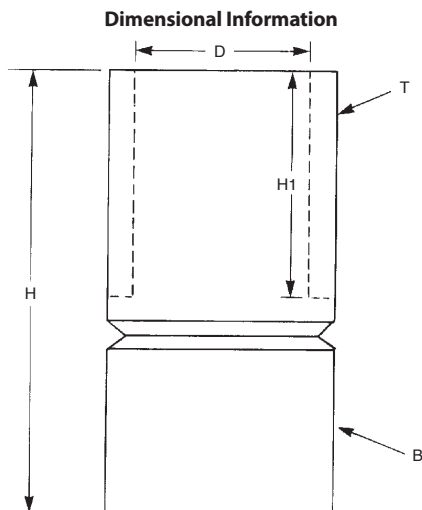
# Frangible Couplings

FC

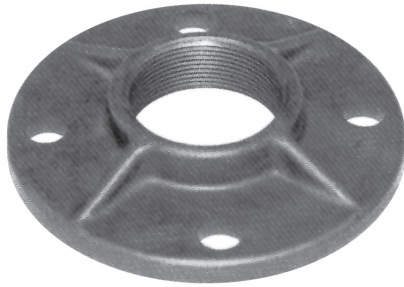
	THREADING				DIMENSION (INCHES)			FINISH	APPLICATION
	TYPE	T-INSIDE	T-OUTSIDE	B-OUTSIDE	H	H1*	D		
60647-1	Straight	None	None	2-11½ NPSM	5.803	H	1.939	Natural Aluminum	Sign (AGS-1)
60647-2	Straight	None	None	2-11½ NPSM	5.803	H	1.939	Natural Aluminum	Sign (AGS-1)
60647-3	Straight	None	None	2-11½ NPSM	5.803	H	1.939	Natural Aluminum	Sign (AGS-1)
60647-4	Straight	None	None	2-11½ NPSM	5.803	H	1.939	Natural Aluminum	Sign (AGS-1)
60683-E	Straight	None	None	2-11½ NPSM	3.330	1.49	1.200	Painted Yellow	ERL, HRLQ
60683-4	Straight	None	None	2-11½ NPSM	5.770	—	—	Natural Aluminum	Sign (AGS-2)
60683-5	Straight	None	None	2-11½ NPSM	5.770	—	—	Natural Aluminum	PAPI
60683-6	Straight	5/8-18 UNF	None	2-11½ NPSM	5.770	—	—	Natural Aluminum	Sign (Fiberglass)
60683-7	Straight	5/8-18 UNF	None	2-11½ NPSM	5.770	—	—	Natural Aluminum	PAPI
60683-8	Straight	None	None	2-11½ NPSM	5.770	—	—	Natural Aluminum	Sign (ICAO)
60683-9	Straight	1-11½ NPT	None	2-11½ NPSM	5.770	—	—	Natural Aluminum	PAPI
60683-10	Straight	None	None	2-11½ NPSM	5.770	—	—	Natural Aluminum	RGL
60285-1	Tapered	None	2-11½ NPT	2-11½ NPT	4.000	H	1.939	Natural Aluminum	Sign (AGS-Canada)
60285-2	Tapered	None	2-11½ NPT	2-11½ NPT	4.000	H	1.939	Natural Aluminum	Sign (AGS-Canada)
60285-3	Tapered	None	2-11½ NPT	2-11½ NPT	4.000	H	1.939	Natural Aluminum	Sign (AGS-Canada)
60287	Tapered	None	None	2-11½ NPT	3.875	1.960	2.000	Natural Aluminum	Sign
62245-1	Straight	None	None	2-11½ NPSM	5.770	—	—	Natural Aluminum	Sign (AGS-2)
62245-2	Straight	None	None	2-11½ NPSM	5.770	—	—	Natural Aluminum	Sign (AGS-2)
62245-3	Straight	None	None	2-11½ NPSM	5.770	—	—	Natural Aluminum	Sign (AGS-2)
62245-4	Straight	None	None	2-11½ NPSM	5.770	—	—	Natural Aluminum	Sign (AGS-2)
62245-5	Straight	None	None	2-11½ NPSM	5.770	—	—	Natural Aluminum	Sign (AGS-2)
P1206	Tapered	None	None	2-11½ NPT	5.250	3.563	2.100	Natural Aluminum	Canada
P1211	Tapered	None	None	2-11½ NPT	7.625	H	2.100	Painted Orange	Canada
P1215	***	1.25-16	None	2-11½ NPT	3.875	1.813	1.500	Natural Aluminum	Canada
FL949A	Tapered	None	None	2-11½ NPT	4.750	3.000	1.813	Painted Yellow	ELM, HRL (Military)
FL971	Tapered	None	2-11½ NPT	2-11½ NPT	4.750	3.000	1.813	Painted Yellow	PAPI
50306	Straight	None	None	2-11½ NPT	6.380	—	—	Painted Yellow	Elev. Stop Bar
40818	Tapered	None	None	2-11½ NPT	3.719	H	1.750	Natural Aluminum	Canada
61062-1	Straight	None	2 <sup>13</sup> / <sub>32</sub> -16 UNF	2-11½ NPT	5.062	2.125	2.187	Natural Aluminum	Sign (Fiberglass)
50186	Straight	None	None	1½ -12 UNF	3.070	1.500	1.190	Painted Yellow	ERL, HRLQ
50049	Straight	None	None	1½ -12 UNF	2.690	1.500	1.174	Yellow Plastic	ERL, HRLQ
50184	Straight	None	None	2-11½ NPSM	3.250	1.475	1.190	Painted Yellow	ERL, HRLQ
ML4913	Tapered	None	None	2-11½ NPT	4.750	3.000	1.813	Natural Aluminum	Wind Cone
62202	Straight	None	None	2-11½ NPSM	22.500	—	—	Natural Aluminum	Unlighted Sign

\* H indicates a full length straight through interior  
 \*\* Static Load Test Data Not Available. Contact Crouse-Hinds.  
 \*\*\* Tapered at bottom; straight inside.

**The use of these couplings in non-approved applications should be checked with Crouse-Hinds Engineering department. Couplings intended for use in application listed. Use of couplings in applications not listed at risk of user and may result in premature or catastrophic failure.**



FLOOR FLANGE 25684 - 1      FLOOR FLANGE 60831  
 NOTE: FOR 1-1/2 UNF COUPLING, ADD REDUCER 5925



**25684-1  
Floor Flange**



**60285**



**62245**



**FL971**



**60287  
60288**



**FL2788A  
FL949A**



**60647**



**61062-1  
(10037-108)\***



**50186**



**50049**



**50184**

**Note: Not To Scale.**

**\* Superseded part number.**

