

## AV125

### LED Obstruction Light

**Compliances:**

ICAO Annex 14 Volume 1, 'Aerodrome Design and Operations', Fourth edition July 2004, Table 6.3.  
LIOL Type B



### Applications

- 12v Obstruction Light
- Solar Obstruction Light

The AV125 has a minimum 32cd between 6 and 10 degrees, and can be used for marking obstacles with heights under 45 meters, in accordance with ICAO Annex 14, Chapter 6.

### Features

- CE Certified
- LED technology
- Made from tough, durable polycarbonate
- Solar powered option available
- GSM monitoring available
- GPS flash synchronization available
- RF control available
- IP68 waterproof rating
- Automatic night activation
- Provided with 1m of cable for ease of installation
- User-adjustable intensity and flash characteristic settings
- Tough UV-stabilized LEXAN® polycarbonate lens and light base

### Ordering Information

**A V 1 2 5 -**   -  

**Part Number:** \_\_\_\_\_  
AV125 (comes with 36 LEDs)

#### Options

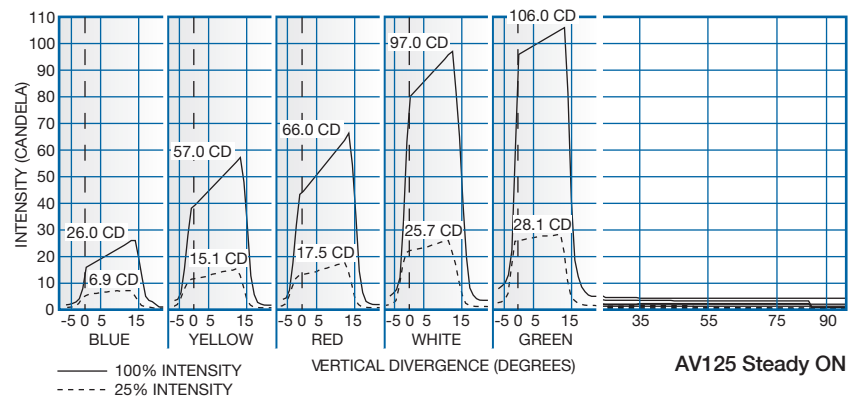
- Communication (One Selection Max.):** \_\_\_\_\_
- HW = Hard-Wire Flash Synchronization
  - CS = RF Flash Synchronization
  - RF = RF Radio Control
  - GPS = GPS Flash Synchronization
  - GSM = GSM Cell-Phone Monitoring
  - GPS-GSM = GPS-GSM Cell-Phone Monitoring & Flash Synchronization

#### Color (360 degrees):

- R = Red
- G = Green
- W = White
- Y = Yellow
- A = Amber
- B = Blue
- IR = IR

\* Compatible with PALC system.

### Typical Photometric Data

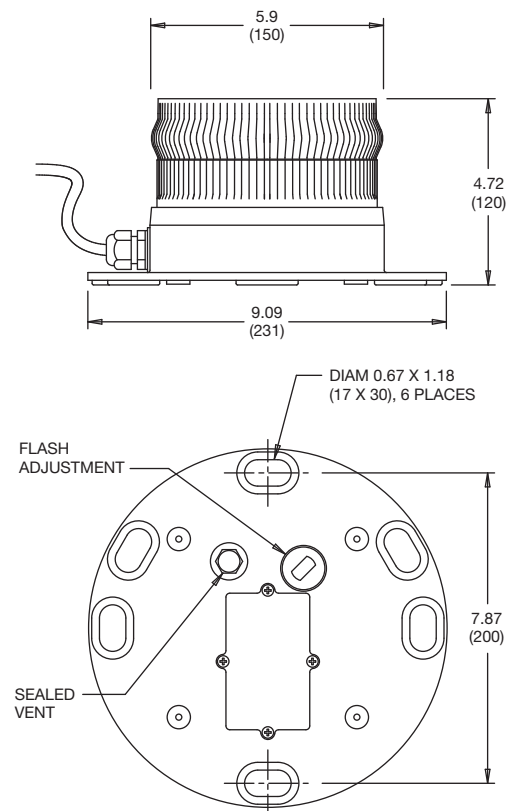


## Specifications

Light Characteristics	
Light Source	36 ultra-high intensity LEDs
Available colors	Red (other colors available)
Peak Intensity (cd)*	Steady-on: Red - 17.4 Green - 28.0 White - 25.7 Yellow - 15.1 Flashing: Red - 66.1 Green - 106.2 White - 97.0 Yellow - 57.1
Horizontal Output (degrees)	360
Vertical Divergence (degrees)	Complies with ICAO spec for LIOL between 6° and 10°
Reflector Type	Omnidirectional 360° LED Reflector (US Pat. No. 6,667,582. AU Pat. No. 778,918)
Available Flash Characteristics	>250 including steady-on (user-adjustable)
Intensity Adjustments	Adjustable in 25% increments
LED Life Expectancy (hours)	>100,000
Electrical Characteristics	
Current Draw (mA)	Red: 420, White: 320, Green: 320
Circuit Protection	Integrated
Operating Voltage (v)	12
Temperature Range	-40°F to +176°F (-40°C to +80°C)
Physical Characteristics	
Body Material	LEXAN® Polycarbonate – UV stabilized
Lens Material	LEXAN® Polycarbonate – UV stabilized
Lens Design	External optics with interior flute design
Mounting	6 x 17mm holes on 200mm PCD
Weight (kg/lbs)	1.1 / 2 1/3
Product Life Expectancy	Up to 12 years

\* Intensity setting subject to solar availability

## Outline Drawing



**Dimensions:** inches (mm)  
**Instruction Manual:** AV125

Solar Aviation Light Products are manufactured by Avlite Systems, Victoria, Australia.

