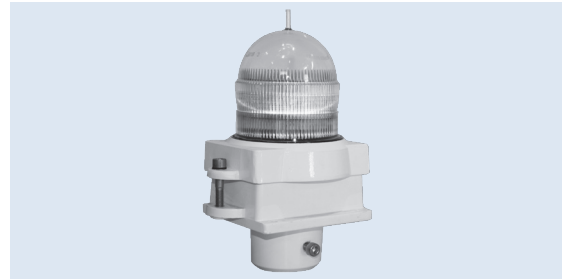


## AV10

### 12v Obstruction Light

**Compliances:**

Low Intensity Type A Obstruction Light, ICAO Annex 14 Volume 1, 'Aerodrome Design and Operations', Fourth edition July 2004, table 6.3



### Applications

- 12v Obstruction Light (LIOL A)

The AV10 low intensity LED obstruction light complies with ICAO requirements for obstructions whereby the height does not exceed 45m, and is also suitable for a range of marker lighting applications.

### Features

- CE Certified
- 12v
- ICAO Compliant AV10 12v Obstruction Light (LIOL A)
- Ultra-high intensity LEDs (no changing globes ever)
- User-adjustable flash characteristic and intensity settings
- Provided with 1m of cable for ease of installation
- Self-cleaning aviation dome lens specifically designed for use with LEDs
- Heavy-duty 7-stage powder-coated aluminium base

### Ordering Information



Part Number: AV10

#### Options

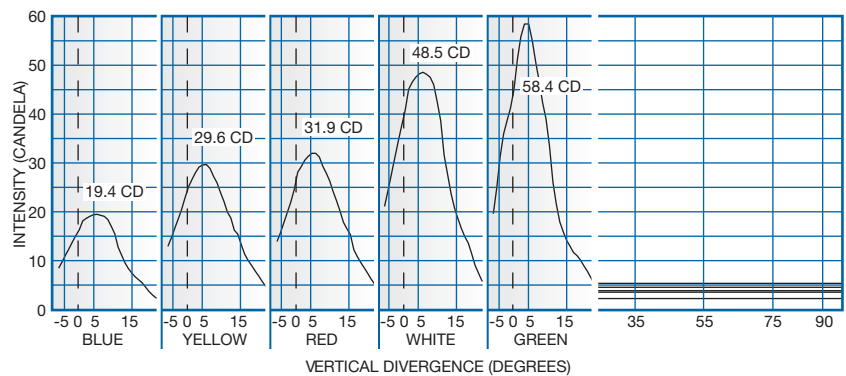
Operating Voltage Upgrade:

- 24 = 24v
- 48 = 48v

Color (360 degrees):

- R = Red
- G = Green
- W = White
- Y = Yellow
- A = Amber
- B = Blue
- IR = IR

### Typical Photometric Data



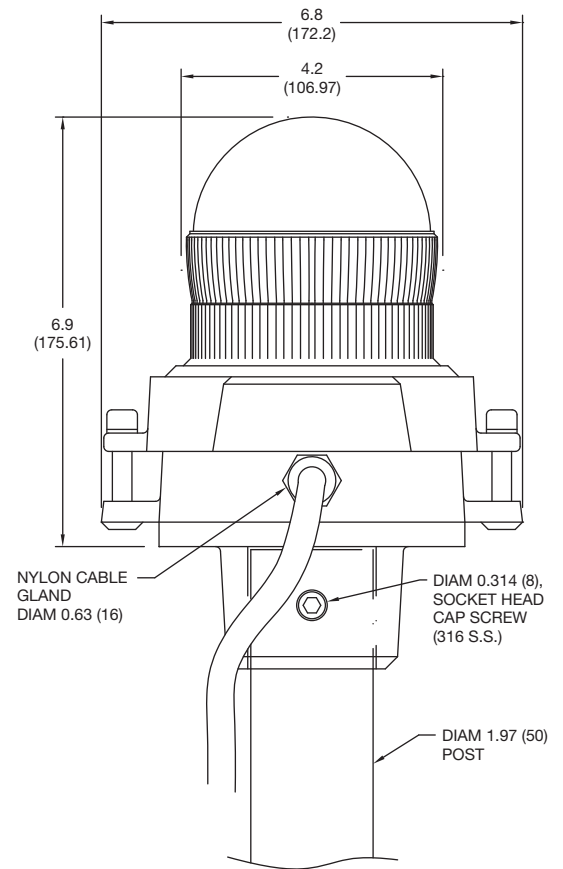
AV10 Steady ON

## Specifications

Light Characteristics	
Light Source	20 ultra-high intensity LEDs
Available colors	Red (other colors available)
Peak Intensity (cd)*	Steady-on: Blue - 6.9 Red - 11.4 Green - 20.9 White - 17.4 Yellow - 10.6 Flashing: Blue - 19.4 Red - 31.9 Green - 58.4 White - 48.5 Yellow - 29.6
Horizontal Output (degrees)	360
Vertical Divergence (degrees)	0 to +12
Reflector Type	Omnidirectional 360° LED Reflector (US Pat. No. 6,667,582. AU Pat. No. 778,918)
Available Flash Characteristics	>250 including steady-on (user adjustable)
Intensity Adjustments	Adjustable in 25% increments
LED Life Expectancy (hours)	>100,000
Electrical Characteristics	
Current Draw (mA)	180
Circuit Protection	Integrated
Operating Voltage (v)	12
Temperature Range	-40°F to +176°F (-40°C to +80°C)
Physical Characteristics	
Body Material	LEXAN® Polycarbonate – UV stabilized
Lens Material	LEXAN® Polycarbonate – UV stabilized
Lens Diameter (mm/inches)	110 / 4 1/3
Lens Design	External optics with interior flute design
Mounting	50mm (2") OD Post Mount.
Weight (kg/lbs)	3 / 6 2/3
Product Life Expectancy	Up to 12 years

\* Intensity setting subject to solar availability

## Outline Drawing



Dimensions: inches (mm)

Instruction Manual: AV10

Solar Aviation Light Products are manufactured by Avlite Systems, Victoria, Australia.

