

AV09-SAL

Solar LED Area Light




Applications

- Solar LED Area Light

The state-of-the-art Solar LED Area Light provides users with the perfect solution for lighting remote locations such as shelters, car parks and maintenance areas where connection to power grids is unfeasible.

Features

- CE Certified 
- Solar powered
- No globes (LED technology)
- Independent from mains power
- Vandal-resistant battery enclosure
- Swing light-arm to allow custom light distribution during installation
- Adjustable ON time from 1 hour to dusk-till-dawn
- 5 domed LEXAN® luminaires each containing 1x 3watt ultra-high intensity surface-mounted LED for optimal area illumination (>120 degrees)
- 140watt multicrystalline solar module
- Adjustable light arm
- Galvanised post
- Anti-tamper fittings
- Battery section

Ordering Information



Part Number: AV09-SAL

Light Arm Assembly:
 1 = Single
 2 = Dual

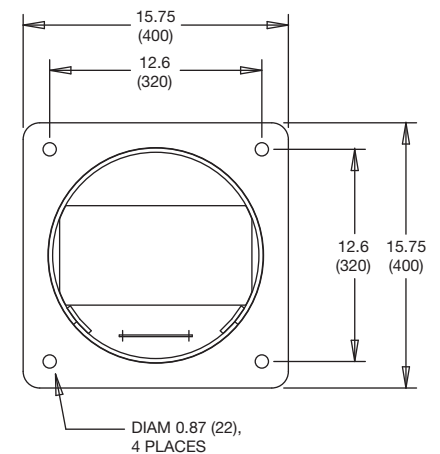
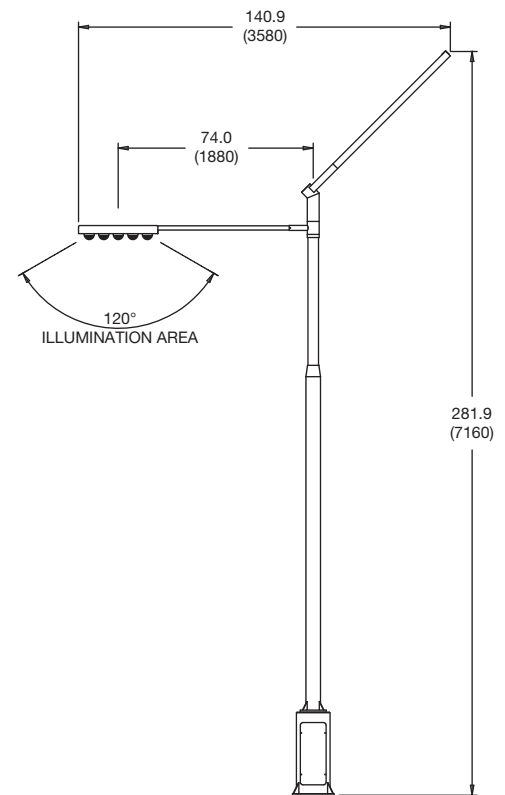
Options

Communication (One Selection Max.):
 RF = RF Radio Control
 GSM = GSM Cell-Phone Monitoring

Specifications

Light Characteristics	
Light Source	5 domed LEXAN® luminaires each containing 1x 3 watt ultra-high intensity surface-mounted LED
Light Spread	Approx 120 degrees
LED Life Expectancy (hours)	>100,000
Electrical Characteristics	
Current Draw (mA)	1.15 (nominal)
Circuit Protection	Integrated
Operating Voltage (v)	12
Temperature Range	-40°F to +176°F (-40°C to +80°C)
Solar Characteristics	
Solar Module Type	Multicrystalline
Output (watts)	140watt
Solar Module Efficiency (%)	14
Charging Regulation	Integrated charge regulator
Power Supply	
Battery Type	SLA (Sealed Lead Acid)
Battery Capacity (Ah)	110Ah (2 x 55Ah batteries). Other options available on request.
Nominal Voltage (v)	12
Operation without sunlight (autonomy nights)	6
Physical Characteristics	
Body Material (domed luminaire)	LEXAN® Polycarbonate – UV stabilized
Lens Material	LEXAN® Polycarbonate – UV stabilized
Body Material (Post)	Mild steel (hot-dipped galvanised)
Mounting	4 x 22mm holes
Height (mm/inches)	7160 / 281 7/8
Weight (kg/lbs)	250 / 551
Product Life Expectancy	Up to 12 years

Outline Drawing



Dimensions: inches (mm)
Instruction Manual: Consult factory

Solar Aviation Light Products are manufactured by Avlite Systems, Victoria, Australia.

