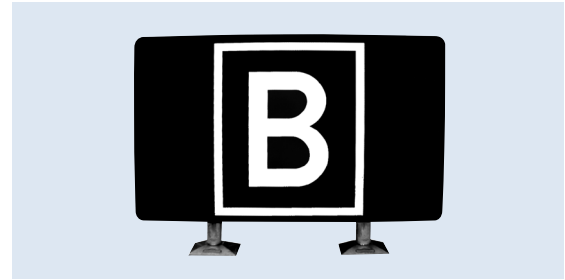


AGSU

Airside™ Guidance Sign-Unlighted

Compliances:
FAA AC 150/5345-44: L-858



Applications

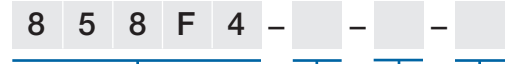
AGSU Signs are designed for use on airport runways to mark taxi routes and taxiways/runways intersections. Colors may be black on yellow, yellow on black, or white on red depending on the application as defined by the governing standards such as FAA AC 150/5340-18.

Features



- ETL Certified as Style 4, Class 2, Mode 2 Sign (200 mph wind loads).
- High strength aluminum sign panel.
- Durable, highly reflective sheeting.
- Stainless steel tether and hardware.

Ordering Information



Basic Catalog Number: _____

Size: _____

- 1 = 18" High Panel with 12" Legend
- 2 = 24" High Panel with 15" Legend
- 3 = 30" High Panel with 18" Legend

Number of Sides: _____

- S = Single
- D = Double

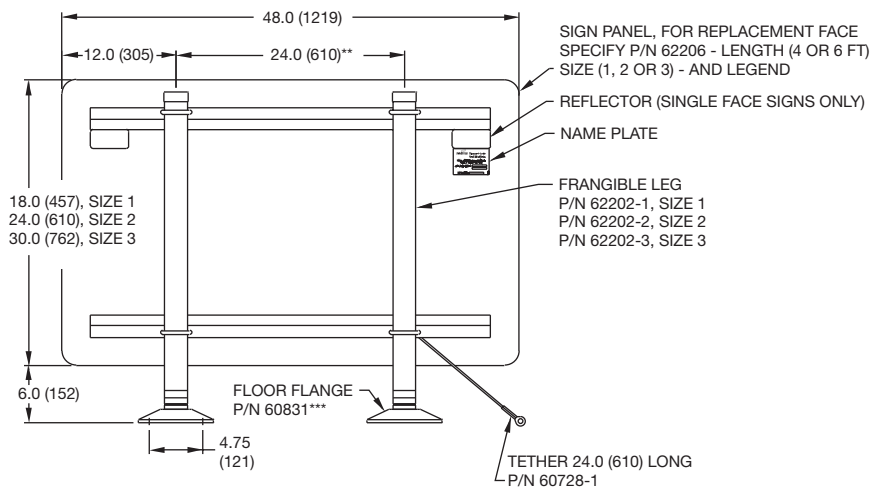
Length (Double Sided Signs Will Be Of Equal Length On Both Sides): _____

- 4 = 4 Foot Long Panel*
- 6 = 6 Foot Long Panel*

* Contact sales to determine legend panel size.

Outline Drawing

Dimensions:	inches (mm)
Instruction Manual:	2118
Shipping Weight: (6 foot signs)	67 lbs. / 30 kg
Shipping Weight: (4 foot signs)	50 lbs. / 23 kg.
Shipping Volume: (6 foot signs)	15 cu. ft. / 0.92 m ³
Shipping Volume: (4 foot signs)	10 cu. ft. / 28 m ³



BACK VIEW OF SIGN (4 FOOT SIZE 3 SHOWN)

** 6 foot sign has 3 legs on 24.0 (610) centers.

*** Furnished with two mounting slots for 1/2 inch anchor bolts.