

Expanded Radial Fuse Family Offers More Solutions for Space-Limited Applications

300Vac SS-5H Series Now Available

Extensive Offering

The new SS-5H Series expands an already diverse offering of radial fuses that include fast-acting and time-delay versions. IEC and UL design options meet today's various worldwide electronic design requirements.

SS-5H High-Voltage Advantage

The SS-5H Series joins the SR-5H to provide protection up to 300Vac with an interrupting rating of 100A - ideal for electronic lighting ballasts.

High Amperage Certifications

Cooper Bussmann radial fuses have IEC and/or UL certifications across the entire amp range, including the higher 5-10A ratings. The higher wattage requirements of today's end products means these higher amp-rated fuses are specified more and more.

Space Savings

Round SR-5 radial fuses offer equivalent product performance to typical 5mm glass fuses with a 60% footprint reduction. The rectangular SS-5 fuses offer an additional 33% reduction to the SR-5 footprint.

Cost Effective

Through hole mounted radial fuses do not require the added expense of axial leads, clips or a holder for PC board mounting. This results in a cost effective alternative to traditional electronic ferrule fuses.



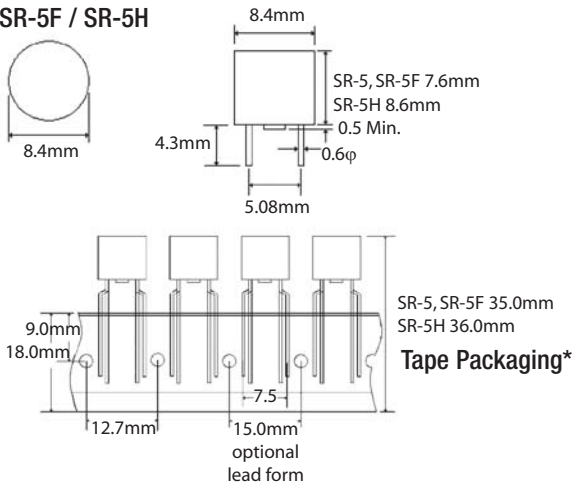
SR-5/SS-5/SR-5H/SS-5H Specifications

Catalog Symbols: SR-5-100mA to SR-5-6.3A
SS-5-400mA to SS-5-6.3A
SR-5F-800mA to SR-5F-10A
SS-5F-800mA to SS-5F-10A
SR-5H-400mA to SR-5H-5A
SS-5H-1-R to SS-5H-6.3-R

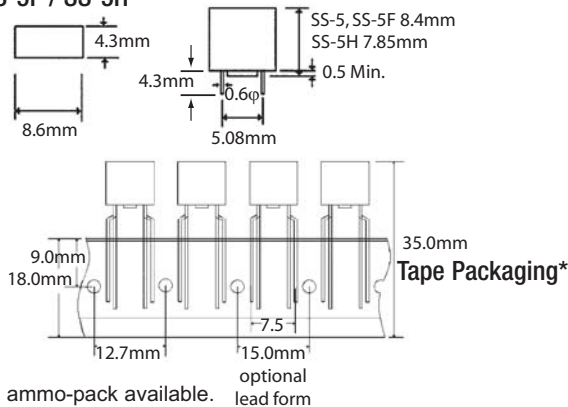
Technology: Radial lead through-hole fuses

Product Dimensions - mm

SR-5 / SR-5F / SR-5H



SS-5 / SS-5F / SS-5H



* Bulk and ammo-pack available.



Application Notes

Power supplies, power adapters and battery chargers play a critical role in the operation of virtually all consumer electronic devices. These power supplies or battery chargers convert high AC voltage from the wall outlet to the low DC voltage used to operate today's consumer electronic products. These include notebook computers, printers, MP3 players, mobile phones, high definition televisions, DVD players and set top boxes. Because these products are plugged into the wall, they require primary circuit protection, as the device can be exposed to dangerous overcurrent events.

The Cooper Bussmann SR-5, SS-5, SR-5H and new SS-5H Series of radial leaded fuses provide cost effective primary circuit protection without sacrificing performance in space-constrained power supply applications. The IEC designs have approvals through 6.3A, and UL designs through 10A.

For applications requiring fuse replacement, order PCS radial fuse holder.

Typical Applications

- Power supplies
- Battery chargers
- Printers
- White goods
- Air conditioners
- Power adapters
- Notebooks
- TVs / Displays
- Set top boxes
- Lighting ballasts

Radial Fuse Family Quick Cross Reference

Style/Agency Information/Type	Cooper Bussmann	Littelfuse
Round, IEC Time-Delay	SR-5	372
Rectangular, IEC Time-Delay	SS-5	392
Round, UL Fast-Acting	SR-5F	373
Rectangular, UL Fast-Acting	SS-5F	395
Round, IEC, Time-Delay	SR-5H	382
Rectangular, IEC, Time-Delay	SS-5H	369

See Data Sheets:

SR-5 Series	#4347
SR-5F Series	#4073
SR-5H Series	#4360
SS-5 Series	#2621
SS-5F Series	#2622
SS-5H Series	#4416

Order samples online - www.cooperbussmann.com/Elx