

⚠ DANGER

HAZARD OF ELECTRIC SHOCK, EXPLOSION OR ARC FLASH

MAY RESULT IN DEATH OR SERIOUS INJURY

Working on or near energized circuits poses a serious risk of electric shock. De-energize all circuits before installing or servicing this equipment and follow all prescribed safety procedures.



⚠ PELIGRO

RIESGO DE DESCARGA ELÉCTRICA, EXPLOSIÓN O ARCO ELÉCTRICO

PUEDEN CAUSAR LESIONES GRAVES O INCLUSO LA MUERTE

Trabajar en o cerca de circuitos energizados representa un grave riesgo de descarga eléctrica. Desconecte todos los circuitos antes de realizar alguna instalación o de dar servicio a este equipo y siga todos los procedimientos de seguridad indicados.



⚠ DANGER

RISQUE D'ÉLECTROCUTION, D'EXPLOSION OU D'ARC ÉLECTRIQUE

RISQUE DE MORT OU DE BLESSURES GRAVES

Travailler sur des circuits sous tension ou à proximité pose un risque grave de choc électrique. Mettez tous les circuits hors tension avant d'installer ou d'effectuer l'entretien de cet équipement et suivre toutes les procédures de sécurité prescrites.

NOTE: These instructions cover installing the NFPA 79 compliant handle (catalog numbers CCP2-NFPA-1 for 8 mm square shafts and CCP2-NFPA-2 for 12 mm square shafts) on front rotary operated switches covered by these catalog numbers:

CCP2-NFPA-1:*

- CCP2R-(poles)-(amps)CF
- CCP2RL-(poles)-(amps)CF
- CCD2R-3-(amps)CF
- CCD2RL-3-(amps)CF
- CCP2R-(poles)-30CC
- CCP2RL-(poles)-30CC
- CCP2R-(poles)-30M
- CCP2RL-(poles)-M

CCP2-NFPA-2:**

- CCP2-3-200CF
- CCP2-3-400CF
- CCD2-3-200
- CCD2-3-400

* Requires installing appropriate shaft and pistol or selector handle.

** Requires installing appropriate front rotary mechanism (CCP2-RM2 or CCP2-RM4), shaft and pistol handle.

Required tools:

- 2 mm Allen wrench for the NFPA 79 handle
- 3 mm Allen wrench for 8 mm shafts
- 4 mm Allen wrench for 12 mm shafts

General notes:

The NFPA 79 compliant handle is mounted on the rotary switch shaft, between the switch and shaft coupler. Its operation must not interfere with other components inside the enclosure.

Installation

- Step 1** — Check the installation of the rotary switch, the switch shaft and shaft coupler, and handle. Be sure the switch cycles ON and OFF correctly.
- Step 2** — Place the switch in the OFF position and open the enclosure door. Using an Allen wrench (3 mm for 8 mm shafts / 4 mm for 12 mm shafts), loosen the shaft coupler's setscrew and remove the coupler. See Fig 1.
- Step 3** — Slide the NFPA 79 compliant handle onto the switch shaft and position it so that it will not interfere with reinstalling the shaft coupler, and its operation/rotation will not be interfere with other components in the enclosure. Reposition handle if necessary. See Fig 2.
- Step 4** — Using a 2 mm Allen wrench, tighten the NFPA 79 complaint handle's setscrew.
- Step 5** — Check the NFPA 79 compliant handle's operation by pushing it down, towards the switch until it engages with it's hub and can be turned to cycle the switch ON and OFF without interference. Reposition handle if necessary. See Fig 3.
- Step 5a** — Install a 1/4" lock into the NFPA 79 compliant handle's lockout/tagout provision and inspect the installation for interference with other components inside the enclosure. Reposition handle if necessary. See Fig 3.
- Step 6** — Reinstall the shaft coupler onto the shaft and tighten its setscrew to the specified torque. **Note:** the shaft coupler is indexed and can only be installed on the shaft in one orientation.
- Step 7** — Shut and secure the enclosure door, and check the switch operation by cycling it ON and OFF.
- Step 7a** — If switch fails to cycle ON and OFF correctly, open enclosure and inspect for interference and correct accordingly. See Steps 3 through 7.

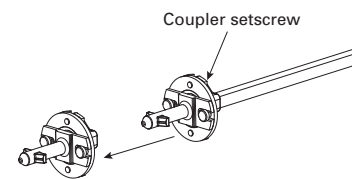


Fig. 1 Remove flange coupler

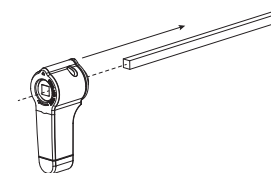


Fig. 2 Slide handle onto shaft

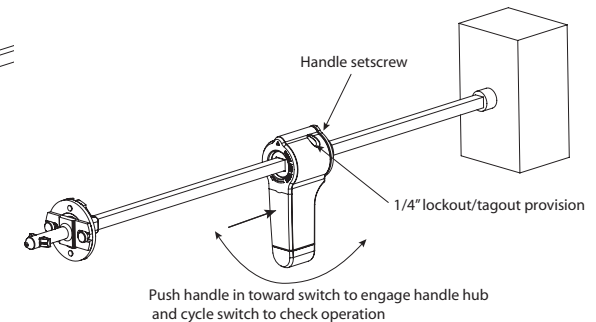


Fig. 3 Tighten handle setscrew, test switch cycling with and without 1/4" lock in the lockout/tagout provision.