

**EAT•N**  
**BUSSMANN**  
SERIES

**Compact  
Circuit  
Protector (CCP)  
Accessory**

**For  
200 A Frame  
and  
200/225 A  
CUBEFuse  
holders  
(TCFH\_N)**

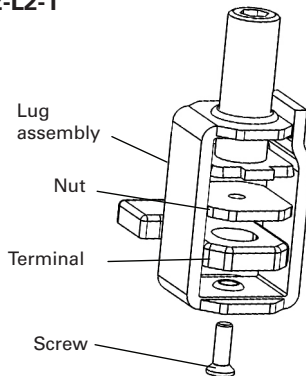
**Eaton**  
Bussmann Division  
St. Louis, MO 63178  
Eaton.com/bussmannseries

Made in Dominican  
Republic  
PUB10692  
3A3758 Rev A

**Stainless Steel Lug Assembly**  
**Catalog No. CCP2-L2-1**  
**Quantity - 1**  
**File: E64983**

**Package contents:**

- (1) lug assembly
- (1) nut
- (1) screw



**Installation instructions:**

- Insert lug, enclosing terminal as shown.
- Locate nut on top of terminal and tighten securely with screw to 0.9 N•m (8 lbs-in).

**Caution:** Lug must surround terminal.

**Cu wire range 75° C**

#4-350 kcmil      180 lbs-in

25-185 mm<sup>2</sup>      20.3 N•m



051712747578