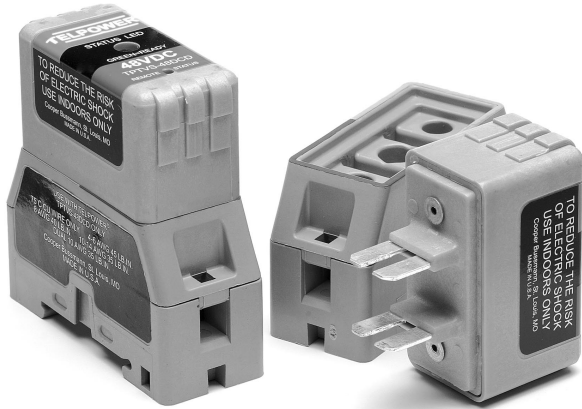


# Telpower® Transient Voltage Surge Suppressor TPTVS



**TPTVS**

Catalog Number: TPTVS-48DCD

Voltage Rating: 48Vdc

General Information:

- The Telpower® TPTVS-48DCD is an advanced 48Vdc surge protection system that limits the high current, high voltage transients on dc electrical devices, as required by ANSI T1.315
- Specifically designed for 48Vdc Telecommunications power applications
- Suppression function provided by a robust series / parallel array of Silicon Avalanche Diodes
- Status monitoring by suppressor module (\*):
  - Green LED illumination indicates that the suppressor is operational
  - LED will extinguish if the suppressor experiences excessive overvoltage and requires replacement
  - Remote alarm provides "line voltage" output when suppressor is no longer operational and requires replacement
- Holder is screw or 35 mm DIN rail mountable
- Remote alarm contact pin provided
- TVSS holder and module material: Gray thermoplastic, UL rated 94 V-0

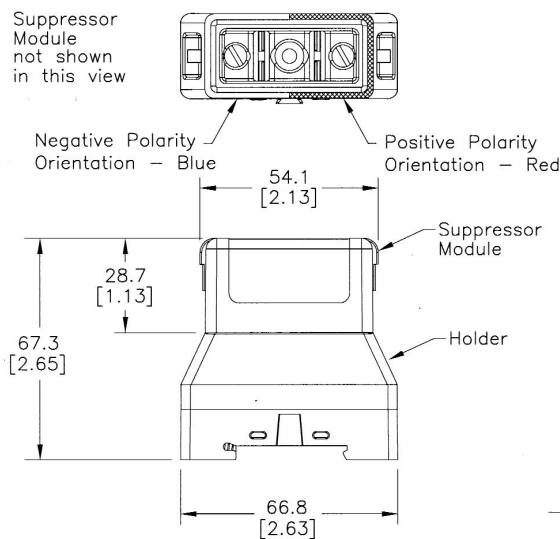
\* See Product Specification Note below

## Product Specifications:

- Model: TPTVS-48DCD
- Voltage Application: 48Vdc
- Maximum Continuous Operating Voltage: (MCOV): 60Vdc
- TVSS Technology: Silicon Avalanche Suppression Diode (SASD)
- Surge Voltage Rating: (SVR, 500A, 8x20 μs): 75Vdc
- Surge Current Rating: 5kA

- Label Color: Black / Red / Blue
- Note: TVSS device has polarized electrical connections. For proper polarity, align red section (+) of suppressor module with the red section (+) of holder. If polarity is reversed the surge suppression operation will still function, but the green status LED and remote alarm features will not be operational.

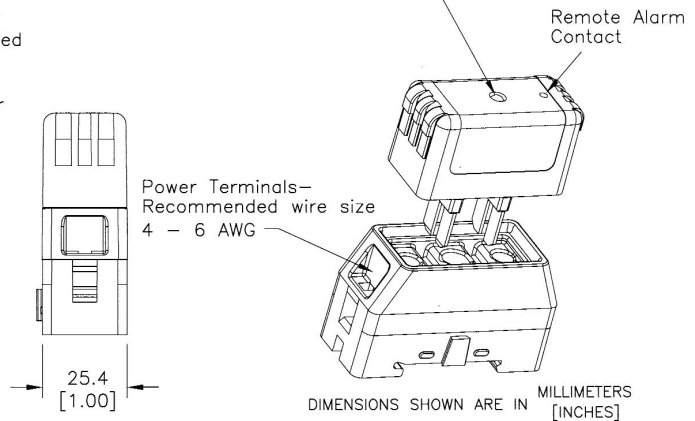
## Dimensional Data:



**Status LED .**

OFF – Suppressor Non-Operational (power may be on) or Suppressor Module polarity may be reversed

GREEN – Suppressor Operational (power on)



The only controlled copy of this Data Sheet is the electronic read-only version located on the Bussmann Network Drive. All other copies of this document are by definition uncontrolled. This bulletin is intended to clearly present comprehensive product data and provide technical information that will help the end user with design applications. Bussmann reserves the right, without notice, to change design or construction of any products and to discontinue or limit distribution of any products. Bussmann also reserves the right to change or update, without notice, any technical information contained in this bulletin. Once a product has been selected, it should be tested by the user in all possible applications.