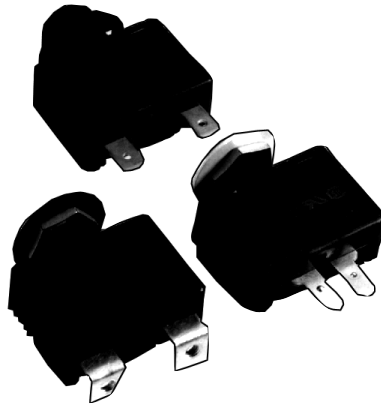


Flat-Pak

Manual Reset Circuit Protectors

Series 174



SPECIFICATIONS

Single Pole Thermal Type Breakers

Ratings: 5A to 40A. The derating curves are the same as those for Series 120 which are shown on page 14.

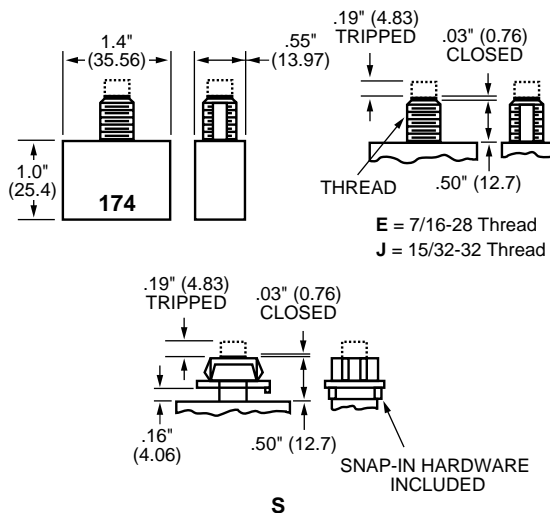
Operating Temperature: -10°F (-23°C) to 150°F (65°C).

Storage Temperature: -20°F (-29°C) to 200°F (93°C).

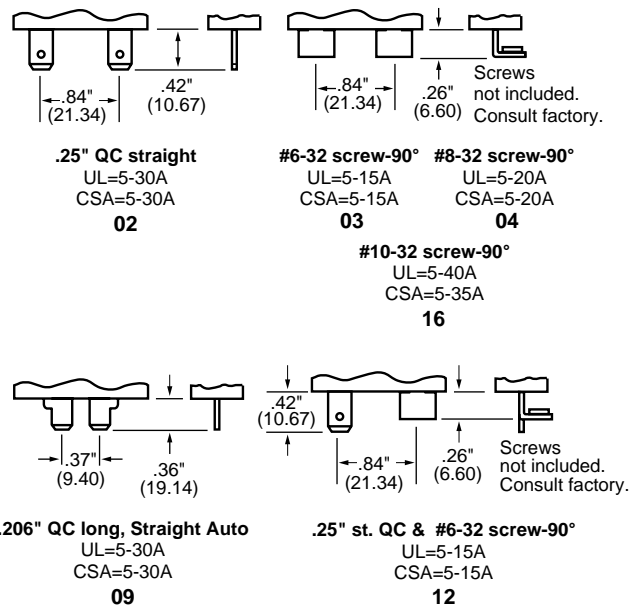
Applications: Multiple power outlet strips, trucks, RV's, boats, buses, portable generators, building equipment, etc.

Approvals: Series 174 is rated to 250VAC/50DC and meets UL Standard 1077; UL E74569; CSA LR60443; see individual terminal styles for specific rating approvals.

Bushing Options



Terminal Options



PART NUMBERING SYSTEM

Series	Rating	Housing	Bushing	Terminal	Button	Hdwr. Pkg.	Mounting Hdwr.
174	8-40	4	E	02	A	1	A
174 - Type III Manual	10 - 10 amps	4 - Standard	E - 7/16-28 x .50 molded	02 - .25" QC straight	A - White w/black rate marking	1 - Assmbld. to bushing	A - Knurled nut & palnut
250 VAC/50VDC	15 - 15 amps		J - 15/32-32 x .50 molded	03 - #6-32 screw - 90°	E - White w/red rate marking	2 - Bulk	B - Knurled nut/palnut push to reset disc (black)
	20 - 20 amps		S - Snap-in bushing	04 - #8-32 screw - 90°	F - White w/no rate marking	3 - No hardware	C - Knurled nut
	25 - 25 amps			09 - .206 QC long, straight auto	L - Black w/no rate marking		D - Knurled nut push to reset disc (black)
	30 - 30 amps			12 - .25" QC #6-32 - 90°	M - Black w/white rate marking		E - Knurled nut/palnut & push to reset disc (white)
	35 - 35 amps*			16 - #10-32 screw - 90°	N - Red w/no rate marking		F - Knurled nut & push to reset disc (white)
	40 - 40 amps*				P - Red w/black rate marking		G - Snap-in attachment to bushing (required on S bushing)
							H - Black knurled nut

The only controlled copy of this BIF document is the electronic read-only version located on the Bussmann Network Drive. All other copies of this BIF document are by definition uncontrolled. This bulletin is intended to clearly present comprehensive product data and provide technical information that will help the end user with design applications. Bussmann reserves the right, without notice, to change design or construction of any products and to discontinue or limit distribution of any products. Bussmann also reserves the right to change or update, without notice, any technical information contained in this bulletin. Once a product has been selected, it should be tested by the user in all possible applications.