

Cooper Bussmann® Quik-Spec™ AC Safety Switch CF



Cooper Bussmann® Quik-Spec™ AC Safety Switch

Standard Features:

- Extended line terminal shield and finger-safe 30, 60, or 100A Cooper Bussmann® *Class CF CUBEFuse®
- 200kA interrupting rating, 600Vac rating
- Visible double break quick-make, quick-break rotary blade mechanism
- Triple padlocking capability
- Mechanically interlocked door
- 600Vac maximum
- 250Vdc maximum
- CUBEFuse available in ratings from 1-100A

*Class J performance

Optional Features:

- Window for viewing switch blades and seeing optional blown fuse indication
- NEMA 1, 3R, 12, 4X (stainless)
- Suitable for use as service equipment (with neutral kit)

Agency Information:

- UL 98 standard for enclosed deadfront switches
- UL 50 standard for enclosures for electrical equipment
- NEMA KS-1
- UL Listed, File E5239-G, volume 6, section 1
- cUL Listed, C22.2 No.4-M89

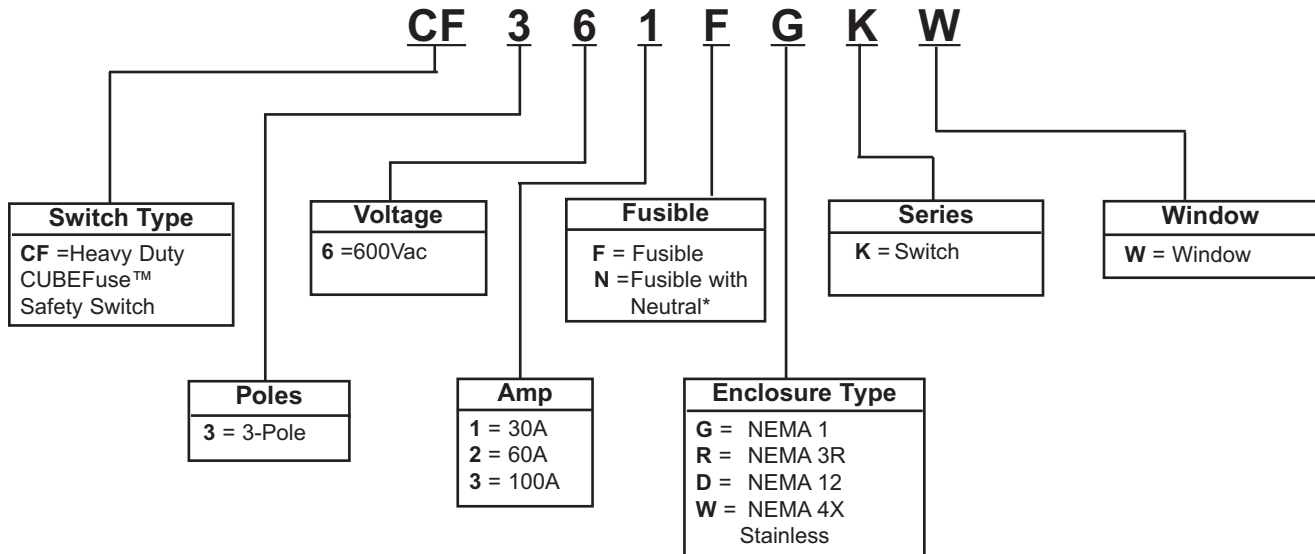
Product Description

The new Cooper Bussmann® Quik-Spec™ safety switch equipped with finger-safe CUBEFuse® provides maximum safety and reliability for industrial customers.

Utilizing the Cooper Bussmann Class CF CUBEFuse, the new Quik-Spec Safety Switch provides Class J electrical performance for maximum arc-flash energy reduction and downstream component protection while minimizing size.

The Cooper Bussmann CUBEFuse requires no tools to install or replace and is available with optional open fuse indication (available 6-100A) to speed troubleshooting.

Quik-Spec™ AC Safety Switch Catalog Numbering System



Available With Auxiliary Contacts

The Cooper Bussmann® Safety Switch is available with auxiliary contacts. To order, add the following suffixes to the above catalog numbering system:

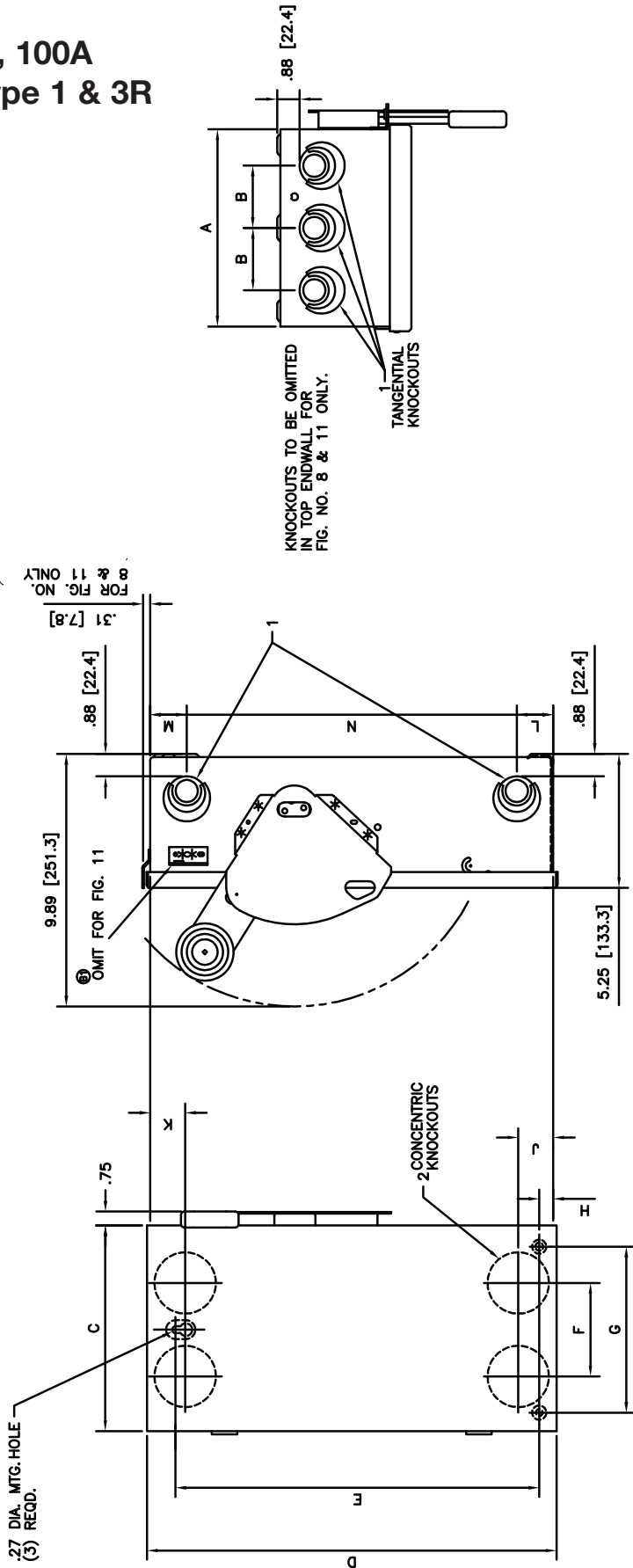
- 2 = 1 Normally Open (NO) and 1 Normally Closed (NC) contacts
- 3 = 2 Normally Open (NO) and 2 Normally Closed (NC) contacts

*Suitable for service entrance use with neutral kit installed.

Maximum Horsepower Ratings							
System	Amp Rating	Fuse Type (Performance)	Single-Phase		Three-Phase		Direct Current
			480Vac	600Vac	480Vac	600Vac	250Vdc
3-Pole	30	CUBEFuse (Class CF ^{**})	7½	10	10	15	5
	60	CUBEFuse (Class CF ^{**})	20	25	30	30	10
	100	CUBEFuse (Class CF ^{**})	30	40	50	50	15

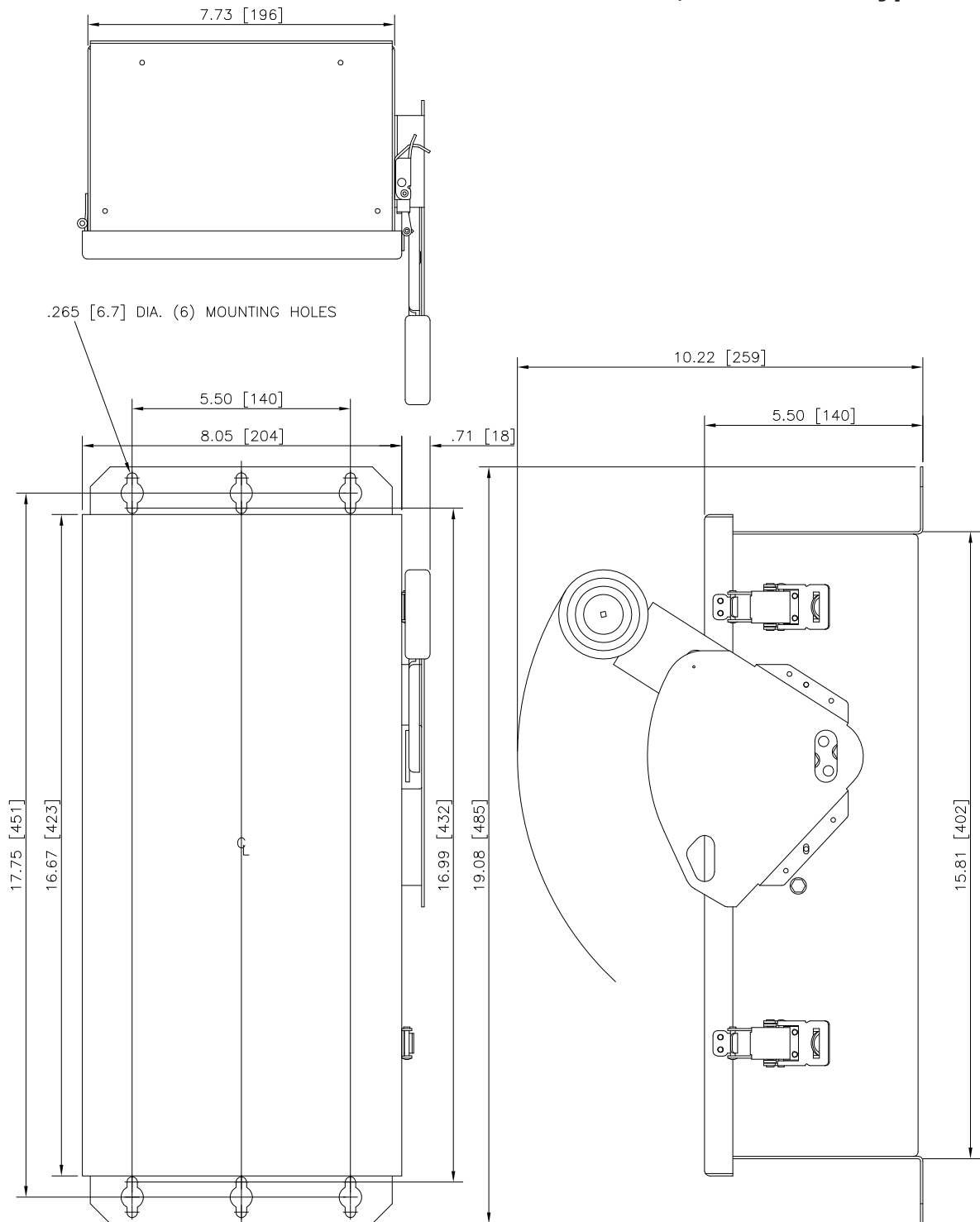
^{**}Class J performance

30A, 60A, 100A
NEMA Type 1 & 3R

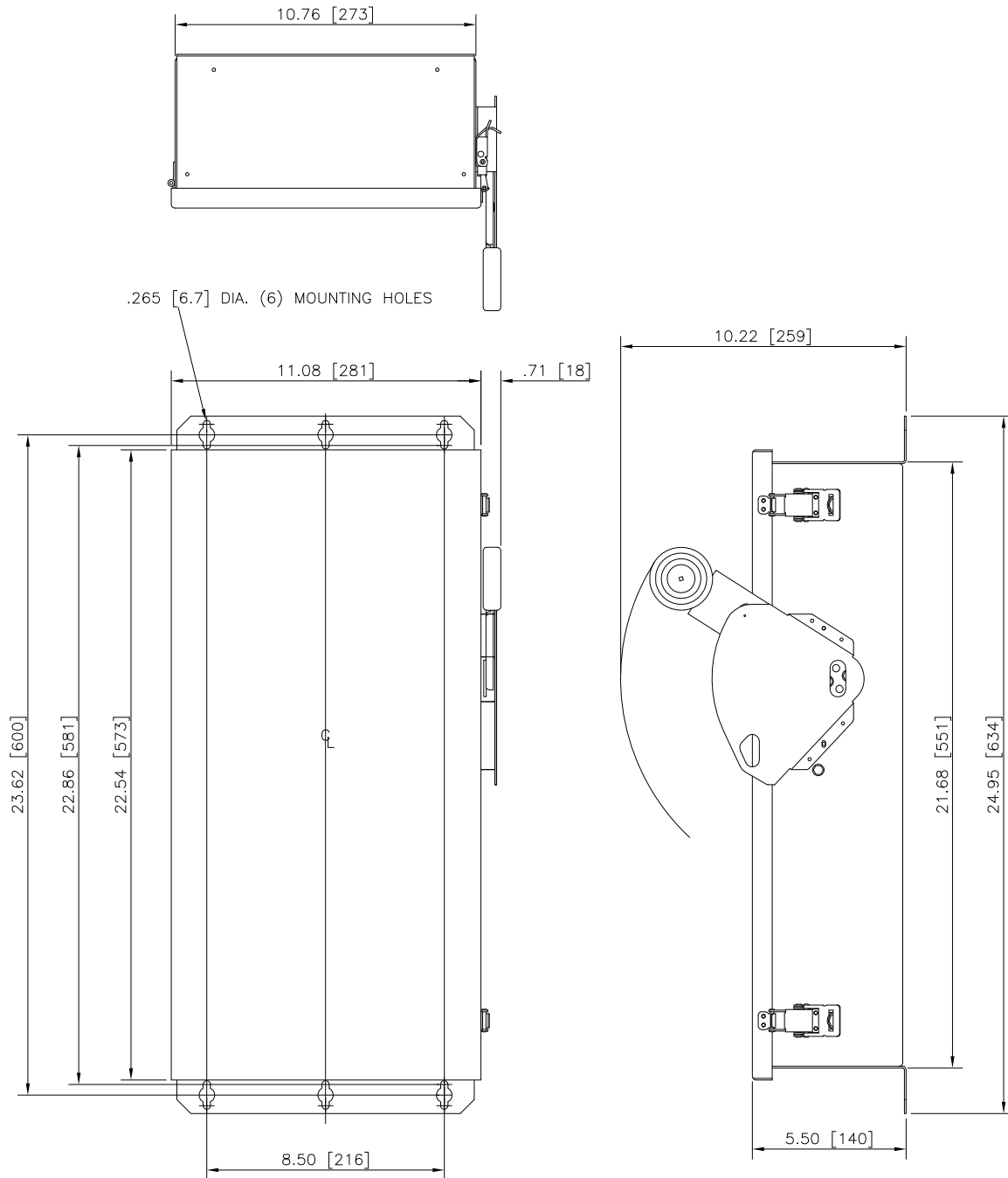


11	A	B	C	D	E	F	G	H	J	K	L	M	N	⑤ 3/4-1-1/4 ⑩ 3/4-1-1/4 ⑤ 1 1/4-1/2-2 ⑩ 1 1/4-1/2-2	② 1/2-3/4-1-1/4 ④ 1/2-3/4-1-1/4 ② 1 1/4-1 1/2-2 ④ 1 1/4-1 1/2-2	30 & 60 AMP 3 POLE TYPE 3R 30 & 60 AMP 3 POLE TYPE 1 100 AMP 3 POLE TYPE 3R 100 AMP 3 POLE TYPE 1	DESCRIPTION
	7.75 [196.9]	2.44 [62.0]	8.12 [206.2]	16.27 [413.3]	14.25 [362.0]	3.66 [93.0]	6.50 [165.1]	.56 [14.2]	1.38 [35.1]	1.38 [35.1]	1.44 [36.6]	1.44 [36.6]	15.81 [401.6]				
	7.75 [196.9]	2.44 [62.0]	8.12 [206.2]	16.27 [413.3]	14.25 [362.0]	3.66 [93.0]	6.50 [165.1]	.56 [14.2]	1.38 [35.1]	1.38 [35.1]	1.44 [36.6]	1.44 [36.6]	15.81 [401.6]	15.81 [401.6]	21.68 [550.7]	21.68 [550.7]	
	10.78 [273.8]	3.50 [88.9]	11.09 [281.7]	21.99 [558.5]	20.00 [508]	4.50 [114.3]	9.50 [241.3]	.74 [18.8]	1.88 [47.8]	1.88 [47.8]	1.88 [47.8]	1.88 [47.8]	21.68 [550.7]	21.68 [550.7]	21.68 [550.7]	21.68 [550.7]	
	10.78 [273.8]	3.50 [88.9]	11.09 [281.7]	21.99 [558.5]	20.00 [508]	4.50 [114.3]	9.50 [241.3]	.74 [18.8]	1.88 [47.8]	1.88 [47.8]	1.88 [47.8]	1.88 [47.8]	21.68 [550.7]	21.68 [550.7]	21.68 [550.7]	21.68 [550.7]	
	A	B	C	D	E	F	G	H	J	K	L	M	N	1	2		
	CONDUIT K.O. QTY. & SIZES																

30A, 60A NEMA Type 4X & 12



100A NEMA Type 4X & 12



The only controlled copy of this Data Sheet is the electronic read-only version located on the Cooper Bussmann Network Drive. All other copies of this document are by definition uncontrolled. This bulletin is intended to clearly present comprehensive product data and provide technical information that will help the end user with design applications. Cooper Bussmann reserves the right, without notice, to change design or construction of any products and to discontinue or limit distribution of any products. Cooper Bussmann also reserves the right to change or update, without notice, any technical information contained in this bulletin. Once a product has been selected, it should be tested by the user in all possible applications.

© 2010 Cooper Bussmann
 St. Louis, MO 63178
www.cooperbussmann.com