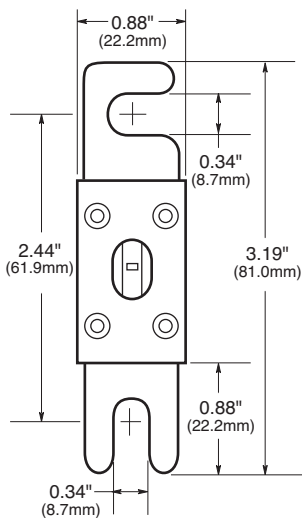
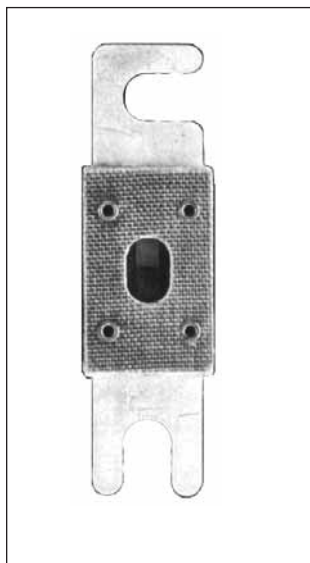
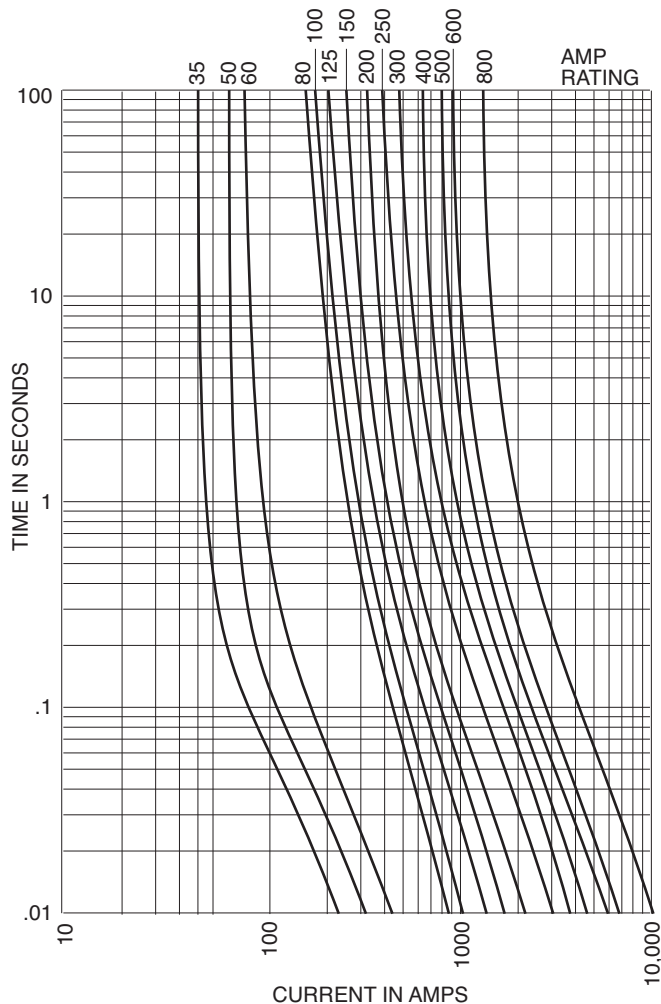


Catalog Number ANN (35 - 800A)
125 Volts AC or Less



Average Time-Current Curve



Amp Ratings		
ANN 125Vac		
35	125	350
40	150	400
50	175	500
60	200	600
80	275	800
90	300	—
100	325	—

ANN Specifications:
Very Fast-Acting

Voltage Rating: 80Vdc, 125Vac

Interrupting Rating: 2,500 Amps

Recommended Fuse Block: 4164

Characteristics:

- Very fast-acting (high speed of response to short-circuit currents).
- Link element visible through mica window.
- UL Recognized 35-400A (Guide #JFHR2, File #E56412)

Fuse Block 4164

Holes drilled 0.217" diameter with 0.438" counterbore with 5/16-24 stud.

Dimensions - inches

