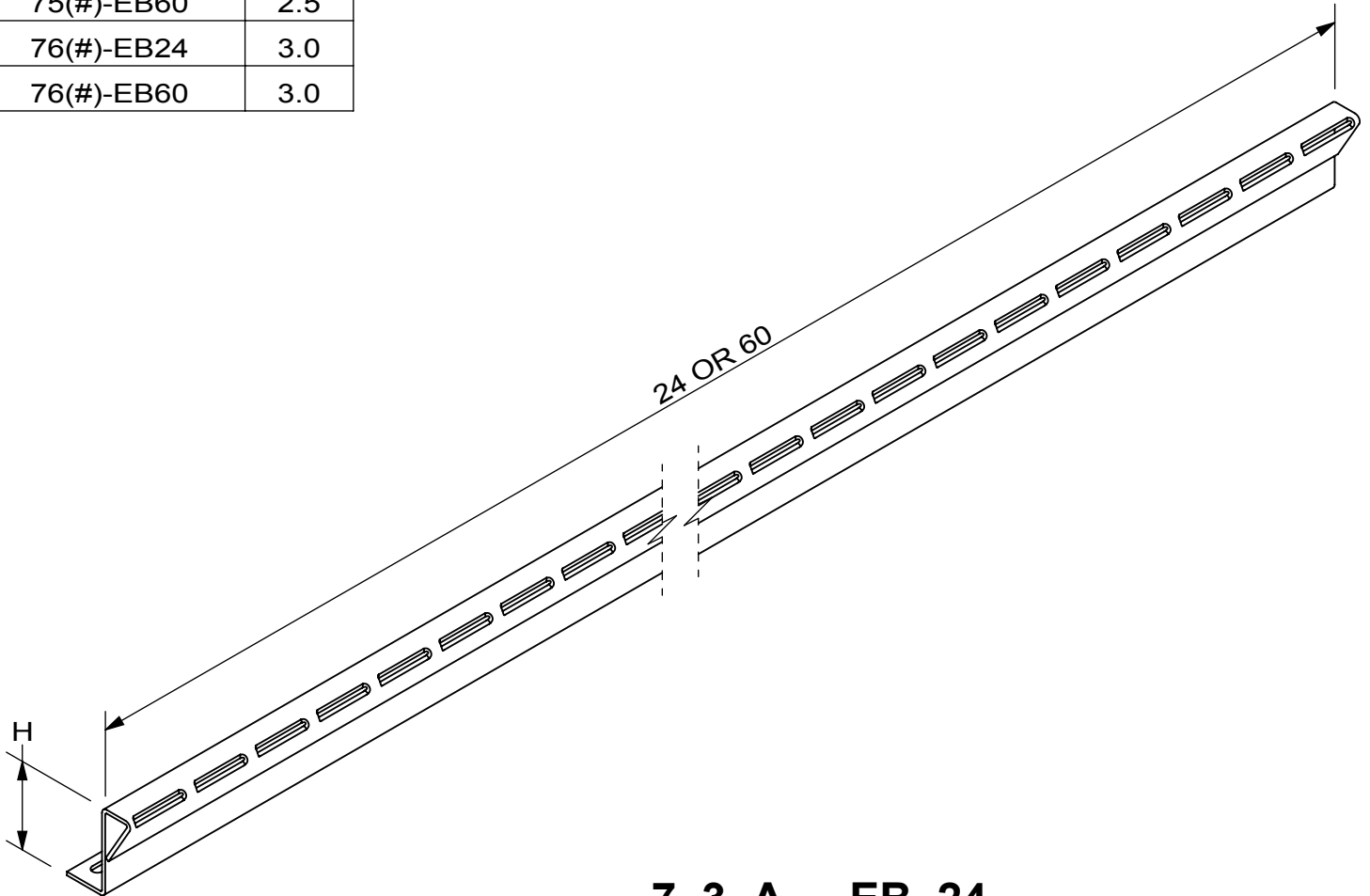


TABLE 1

CATALOG NO.	H (IN.)
73(#)-EB24	1.5
73(#)-EB60	1.5
74(#)-EB24	2.0
74(#)-EB60	2.0
75(#)-EB24	2.5
75(#)-EB60	2.5
76(#)-EB24	3.0
76(#)-EB60	3.0

TABLE 2

(#): MATERIAL		THK
A	ALUMINUM	0.063"
P	PRE-GALVANIZED STEEL	16 GA
G	HDGAF	16 GA
SS6	STAINLESS STEEL 316	18 GA



7 3 A - EB 24

**CABLE TRAY
BARRIER**

**CABLE TRAY
LOADING DEPTH**

- 3=3"
- 4=4"
- 5=5"
- 6=6"

MATERIAL

- A=ALUMINUM
- P=PRE-GALVANIZED STEEL
- G=HDGAF
- SS6=STAINLESS STEEL 316

**ELEVATION
BRACE**

LENGTH

- 24=24"
- 60=60"

NOTE:

ALL DIMENSIONS ARE IN INCHES.

THIS DRAWING AND/OR THE TECHNICAL INFORMATION CONTAINED HEREON IS THE PROPERTY OF COOPER B-LINE, INC. ("B-LINE"), AND IS ISSUED IN CONFIDENCE FOR B-LINE ENGINEERING PURPOSES ONLY AND MAY NOT BE REPRODUCED OR USED FOR ANY PURPOSE WHATSOEVER WITHOUT THE EXPRESS WRITTEN PERMISSION OF B-LINE TO THE USER. THIS DRAWING AND/OR TECHNICAL INFORMATION IS THE PROPERTY OF B-LINE AND IS LOANED FOR MUTUAL ASSISTANCE. TO BE RETURNED WHEN ITS INTENDED PURPOSE HAS BEEN SERVED.



509 W. Monroe Street
Highland, IL 62249
Phone (618) 654-2184
FAX (618) 654-5499

www.cooperbline.com

SUBMITTAL DRAWING

TITLE:

ELEVATION BRACE

REFERENCE DWG(S):
00018614
00018616
00018618

SUBMITTAL NO:

S00018614

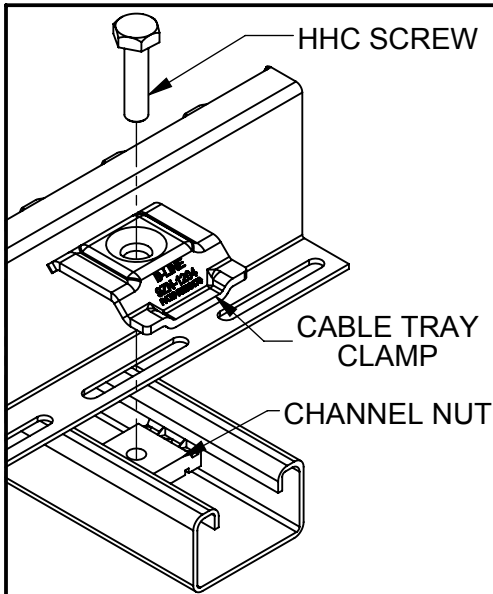
DRAWN BY: SZ REV: A

DATE: 08/02/11

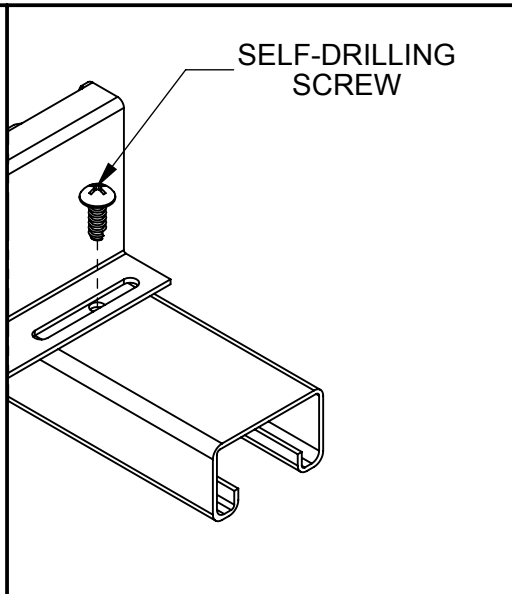
MODEL SOURCE FILE: S00018614 REV:

SHEET: 1 OF 2

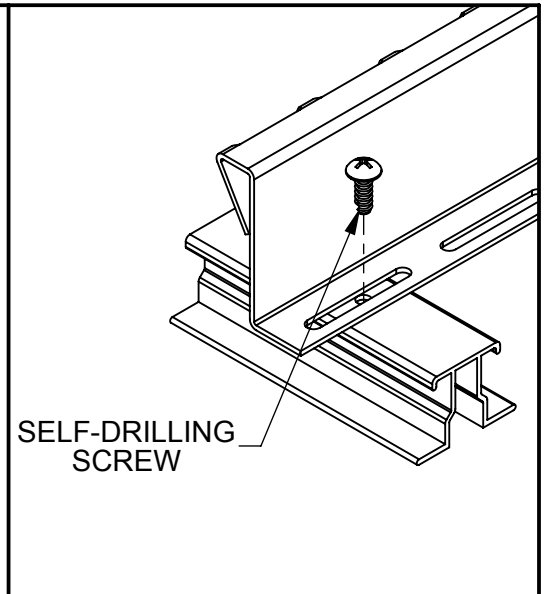
EQUIPMENT FURNISHED HAS BEEN FABRICATED IN ACCORDANCE WITH THIS DRAWING.



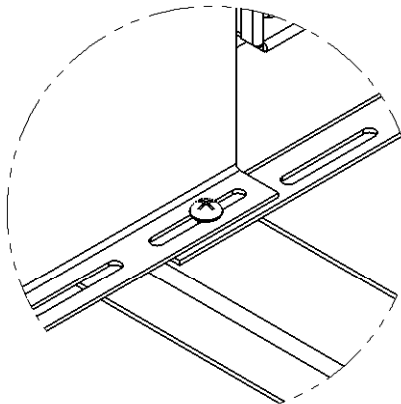
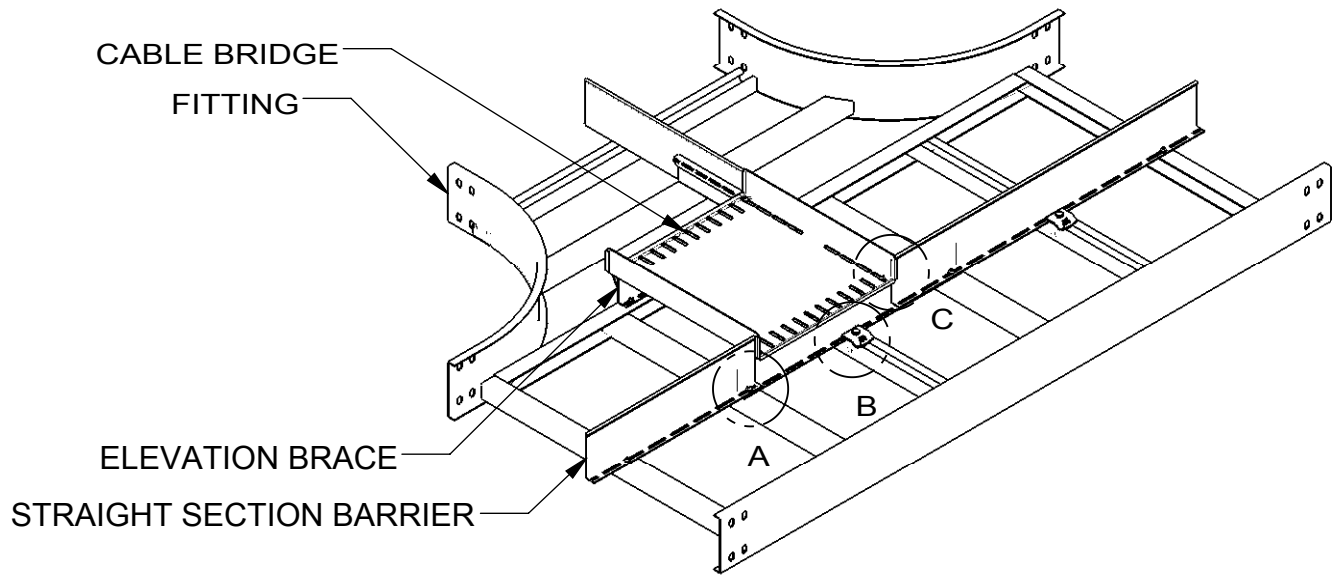
ATTACHMENT: ELEVATION BRACE TO STRUT RUNG, OPEN SIDE UP.



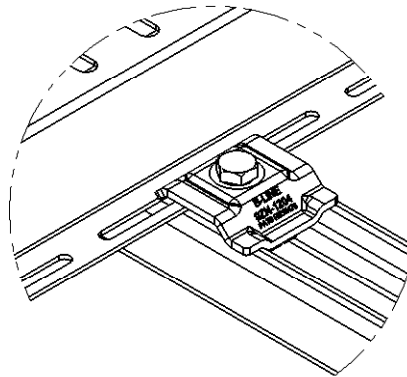
ATTACHMENT: ELEVATION BRACE TO STRUT RUNG, OPEN SIDE DOWN.



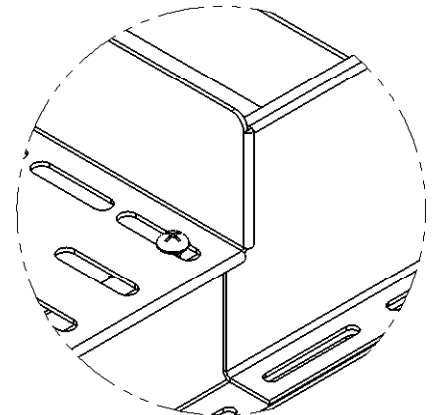
ATTACHMENT: ELEVATION BRACE TO OTHER TYPES OF RUNGS.



DETAIL A



DETAIL B



DETAIL C

THIS DRAWING AND/OR THE TECHNICAL INFORMATION CONTAINED HEREON IS THE PROPERTY OF COOPER B-LINE, INC. ("B-LINE"), AND IS ISSUED IN CONFIDENCE FOR B-LINE ENGINEERING PURPOSES ONLY AND MAY NOT BE REPRODUCED OR USED FOR ANY PURPOSE WHATSOEVER WITHOUT THE EXPRESS WRITTEN PERMISSION OF B-LINE TO THE USER. THIS DRAWING AND/OR TECHNICAL INFORMATION IS THE PROPERTY OF B-LINE AND IS LOANED FOR MUTUAL ASSISTANCE. TO BE RETURNED WHEN ITS INTENDED PURPOSE HAS BEEN SERVED.

COOPER B-Line

509 W. Monroe Street
Highland, IL 62249
Phone (618) 654-2184
FAX (618) 654-5499

www.cooperbline.com

SUBMITTAL DRAWING

TITLE:

ELEVATION BRACE

REFERENCE DWG(S):
00018614
00018616
00018618

SUBMITTAL NO.:

S00018614

DRAWN BY: SZ REV: A

DATE: 08/02/11

MODEL SOURCE FILE: S00018614 REV:

SHEET: 2 OF 2

EQUIPMENT FURNISHED HAS BEEN FABRICATED IN ACCORDANCE WITH THIS DRAWING.