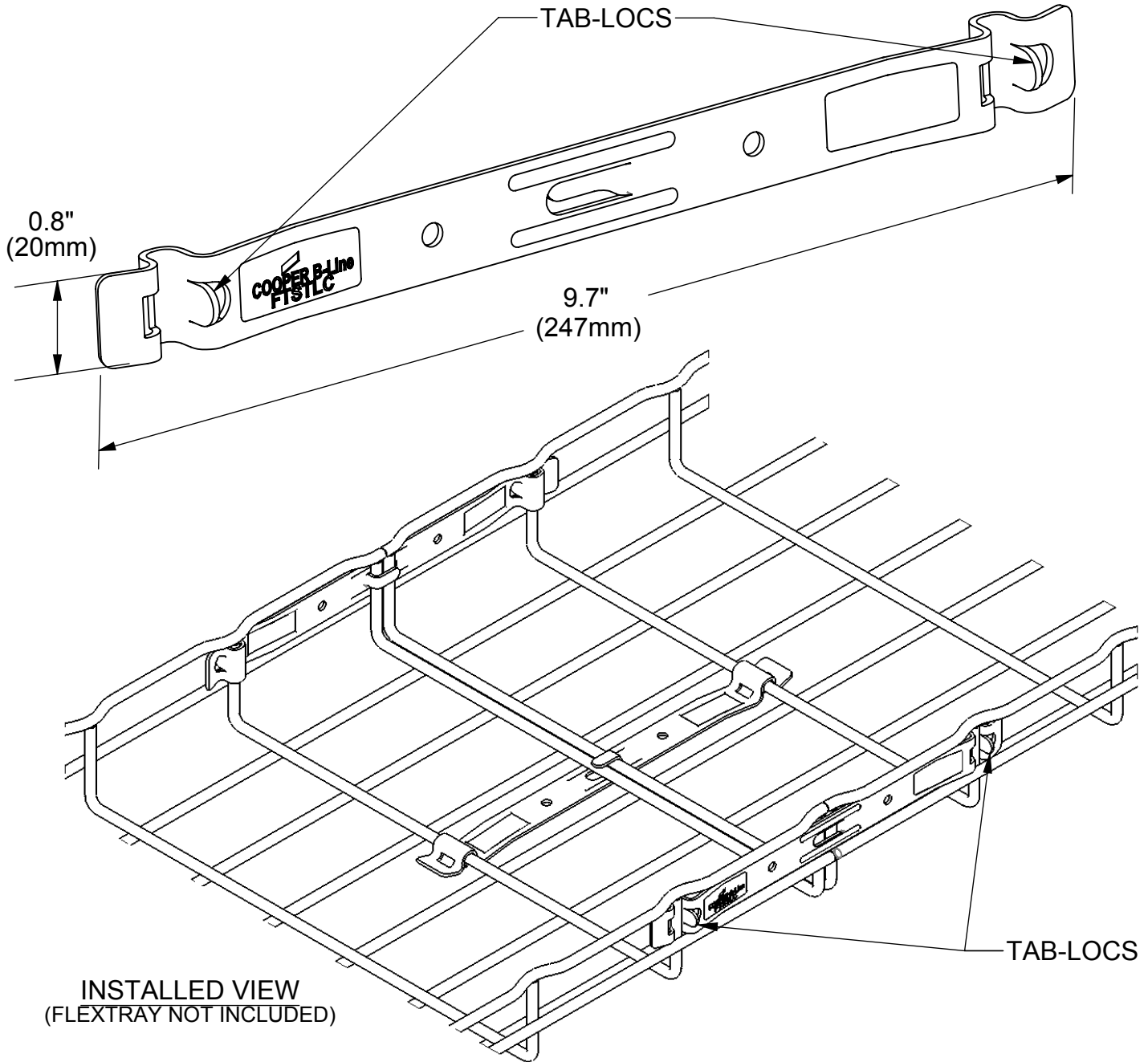



PART NUMBER: FTSTLC

- FINISH: ZINC, STAINLESS STEEL, CUSTOM COLORS
- ZINC FINSH IS UL CLASSIFIED
- TO INSTALL USE PLIERS OR SCREWDRIVER TO CLOSE TAB-LOCS



THIS DRAWING AND/OR THE TECHNICAL INFORMATION CONTAINED HEREON IS THE PROPERTY OF COOPER B-LINE, INC. ("B-LINE"), AND IS ISSUED IN CONFIDENCE FOR B-LINE ENGINEERING PURPOSES ONLY AND MAY NOT BE REPRODUCED OR USED FOR ANY PURPOSE WHATSOEVER WITHOUT THE EXPRESS WRITTEN PERMISSION OF B-LINE TO THE USER. THIS DRAWING AND/OR TECHNICAL INFORMATION IS THE PROPERTY OF B-LINE AND IS LOANED FOR MUTUAL ASSISTANCE. TO BE RETURNED WHEN ITS INTENDED PURPOSE HAS BEEN SERVED.

 509 W. Monroe Street Highland, IL 62249 Phone (618) 654-2184 FAX (618) 654-5499 www.cooperbline.com	SUBMITTAL DRAWING		REFERENCE DWG(S): 00014532 00015303	SUBMITTAL NO: S00014532
	TITLE: FTSTLC FLEXTRAY TAB-LOC CONNECTOR			DRAWN BY: ERN REV: B DATE: 06/16/2009
			MODEL SOURCE FILE: S00014532 REV: 00	SHEET: 1 OF 1
	<small>EQUIPMENT FURNISHED HAS BEEN FABRICATED IN ACCORDANCE WITH THIS DRAWING.</small>			