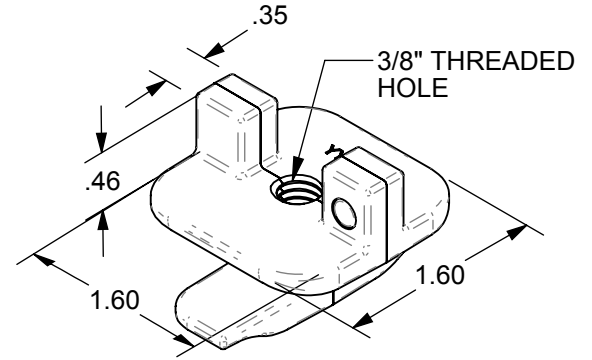
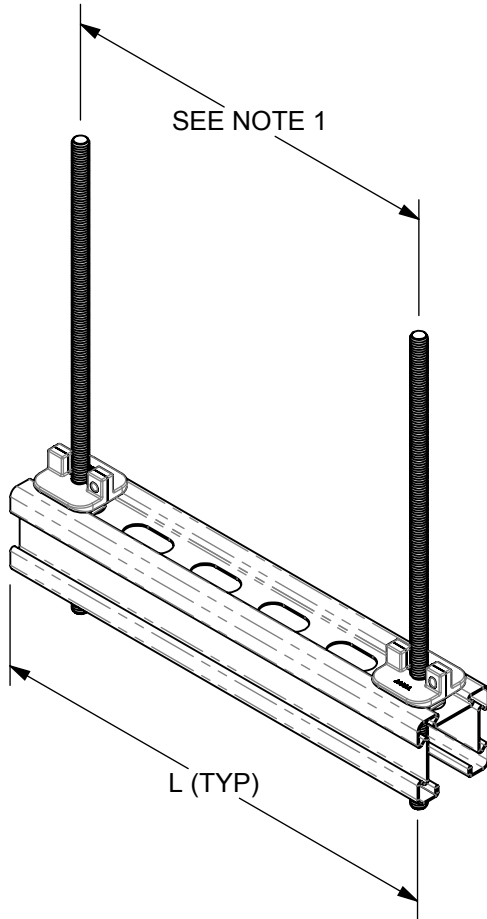


L	MAX LOAD 4D22	MAX LOAD 4D21
	4D5001	
12"	1155 LBS (5.14 kN)	1155 LBS (5.14 kN)
24"	1155 LBS (5.14 kN)	593 LBS (2.64 kN)
36"	1155 LBS (5.14 kN)	396 LBS (1.76 kN)
48"	936 LBS (4.16 kN)	297 LBS (1.32 kN)

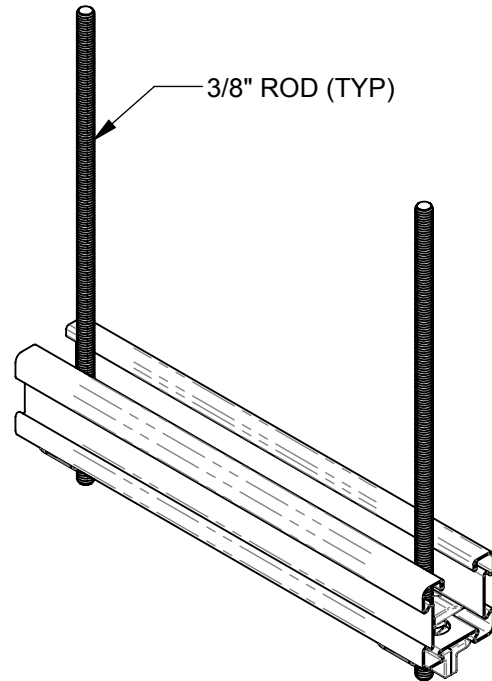
DESIGN LOAD WHEN USED IN PAIRS AS TRAPEZE SOLUTION  
LOADING SAFETY FACTOR: 2.5



4D5001 SHOWN  
SOLD INDIVIDUALLY



INSTALLED VIEW  
CHANNEL OPENING DOWN




INSTALLED VIEW  
CHANNEL OPENING UP

NOTES:

1. ATR CENTER TO CENTER DIMENSION IS WIDTH OF CHANNEL (L) - 2" WHEN STRUT IS CUT IN EVEN 2" INTERVALS
2. 4D5001 MATERIAL: ZINC

THIS DRAWING AND/OR THE TECHNICAL INFORMATION CONTAINED HEREON IS THE PROPERTY OF COOPER B-LINE, INC. ("B-LINE"), AND IS ISSUED IN CONFIDENCE FOR B-LINE ENGINEERING PURPOSES ONLY AND MAY NOT BE REPRODUCED OR USED FOR ANY PURPOSE WHATSOEVER WITHOUT THE EXPRESS WRITTEN PERMISSION OF B-LINE TO THE USER. THIS DRAWING AND/OR TECHNICAL INFORMATION IS THE PROPERTY OF B-LINE AND IS LOANED FOR MUTUAL ASSISTANCE. TO BE RETURNED WHEN ITS INTENDED PURPOSE HAS BEEN SERVED.

 509 W. Monroe Street Highland, IL 62249 Phone (618) 654-2184 FAX (618) 654-5499 www.cooperbline.com	SUBMITTAL DRAWING		REFERENCE DWG(S):	SUBMITTAL NO: S00027163	
	TITLE:  4D5001 2-PIECE TURN & LOCK			DRAWN BY: SJV	REV. A
				DATE: 4/28/15	
			MODEL SOURCE FILE: S00027163	REV: 00	SHEET: 1 OF 1
<small>EQUIPMENT FURNISHED HAS BEEN FABRICATED IN ACCORDANCE WITH THIS DRAWING.</small>					