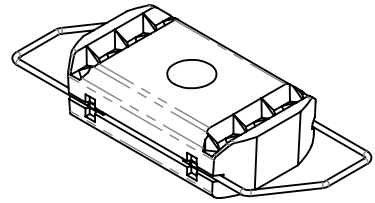
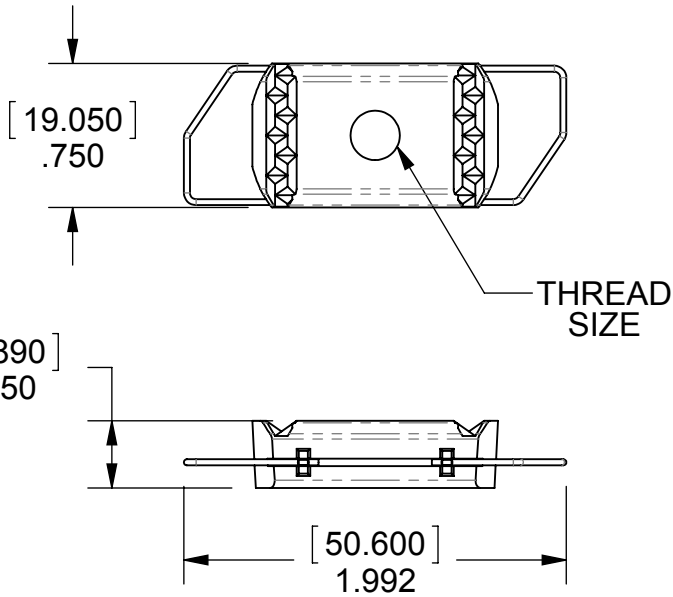
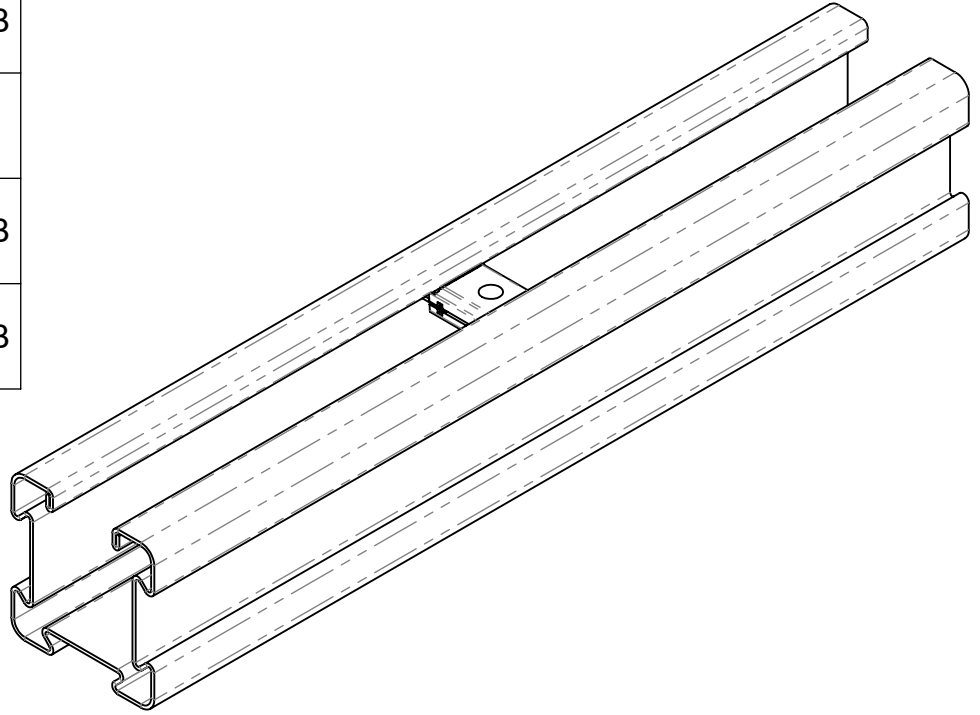



PART NUMBER	THREAD SIZE
4DWN224	1/4-20 UNC-2B
4D2N223	5/16-18 UNC-2B
4DWN228	3/8-16 UNC-2B
4DWN225	1/2-13 UNC-2B



THIS DRAWING AND/OR THE TECHNICAL INFORMATION CONTAINED HEREON IS THE PROPERTY OF COOPER B-LINE, INC. ("B-LINE"), AND IS ISSUED IN CONFIDENCE FOR B-LINE ENGINEERING PURPOSES ONLY AND MAY NOT BE REPRODUCED OR USED FOR ANY PURPOSE WHATSOEVER WITHOUT THE EXPRESS WRITTEN PERMISSION OF B-LINE TO THE USER. THIS DRAWING AND/OR TECHNICAL INFORMATION IS THE PROPERTY OF B-LINE AND IS LOANED FOR MUTUAL ASSISTANCE. TO BE RETURNED WHEN ITS INTENDED PURPOSE HAS BEEN SERVED.

 509 W. Monroe Street Highland, IL 62249 Phone (618) 654-2184 FAX (618) 654-5499 www.cooperbline.com	SUBMITTAL DRAWING		REFERENCE DWG(S):	SUBMITTAL NO:	
	TITLE:		24367	S00024367	
	4D WIRE WING NUT 4DWN			DRAWN BY: MRF	REV. A
				DATE: 11/03/14	
			MODEL SOURCE FILE: 00024367	REV: 00	
				SHEET: 1 OF 1	
EQUIPMENT FURNISHED HAS BEEN FABRICATED IN ACCORDANCE WITH THIS DRAWING.					