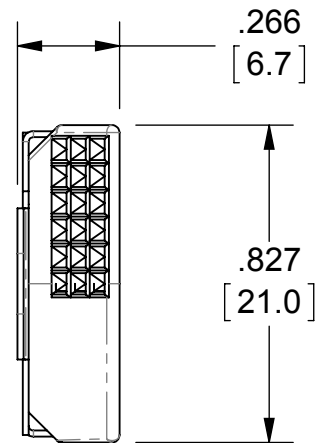
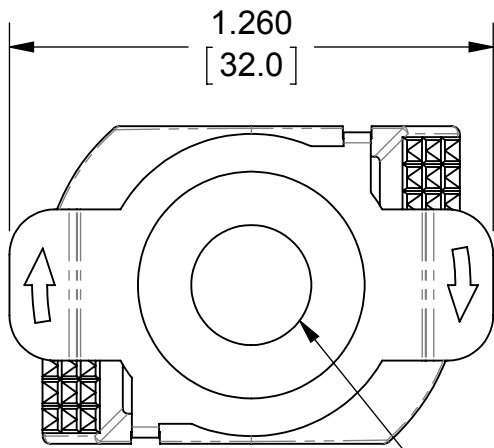
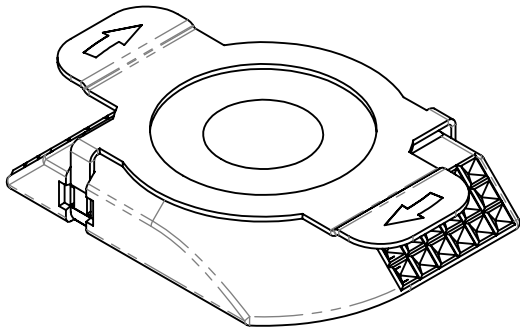
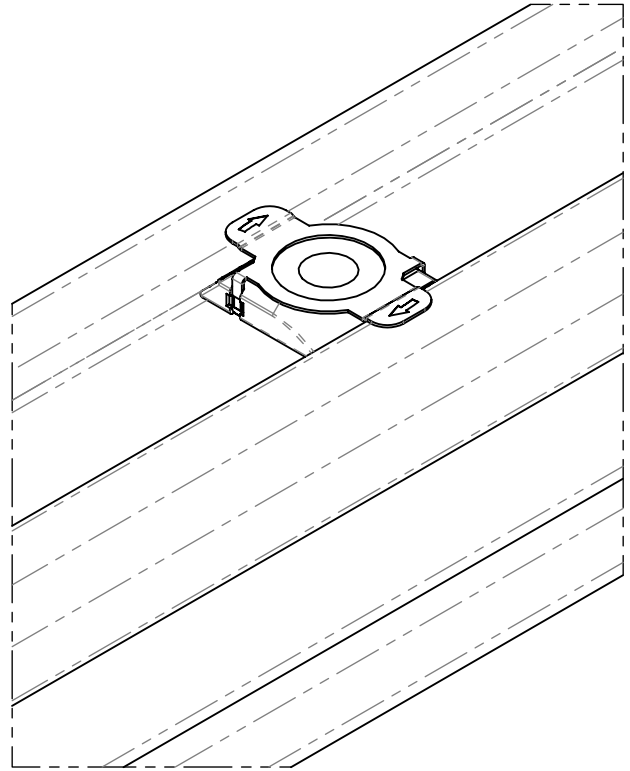


PART NUMBER	THREAD "A"
4DTN224	1/4-20 UNC-2B
4DTH223	5/16-18 UNC-2B
4DTH228	3/8-16 UNC-2B



THREAD "A"

THIS DRAWING AND/OR THE TECHNICAL INFORMATION CONTAINED HEREON IS THE PROPERTY OF COOPER B-LINE, INC. ("B-LINE"), AND IS ISSUED IN CONFIDENCE FOR B-LINE ENGINEERING PURPOSES ONLY AND MAY NOT BE REPRODUCED OR USED FOR ANY PURPOSE WHATSOEVER WITHOUT THE EXPRESS WRITTEN PERMISSION OF B-LINE TO THE USER. THIS DRAWING AND/OR TECHNICAL INFORMATION IS THE PROPERTY OF B-LINE AND IS LOANED FOR MUTUAL ASSISTANCE. TO BE RETURNED WHEN ITS INTENDED PURPOSE HAS BEEN SERVED.

COOPER B-Line

509 W. Monroe Street
Highland, IL 62249
Phone (618) 654-2184
FAX (618) 654-5499

www.cooperbline.com

SUBMITTAL DRAWING

TITLE:

**4D TWIRL NUT
4DTN**

REFERENCE DWG(S):

24388

SUBMITTAL NO.:

S00024388

DRAWN BY:

MRF

REV:

A

DATE:

11/03/14

MODEL SOURCE FILE:

00024388

REV:

00

SHEET:

1 OF 1

EQUIPMENT FURNISHED HAS BEEN FABRICATED IN ACCORDANCE WITH THIS DRAWING.