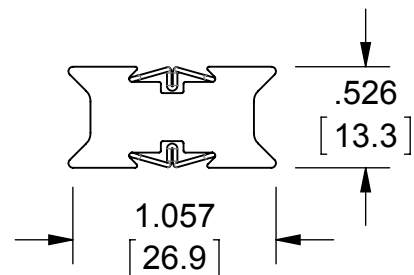
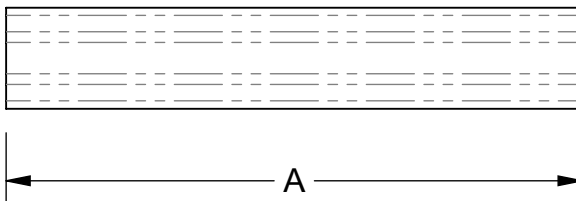
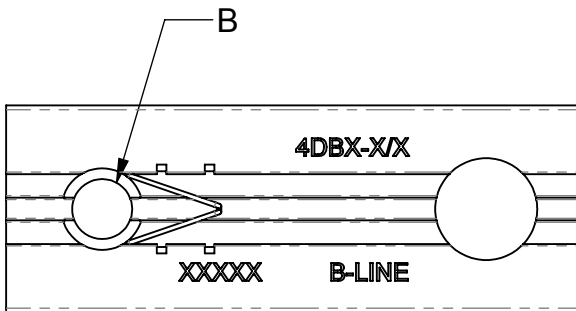
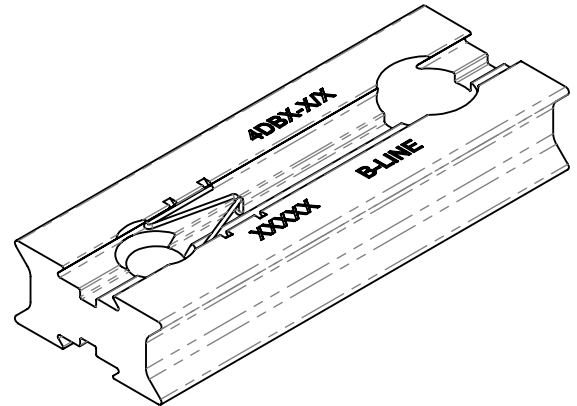
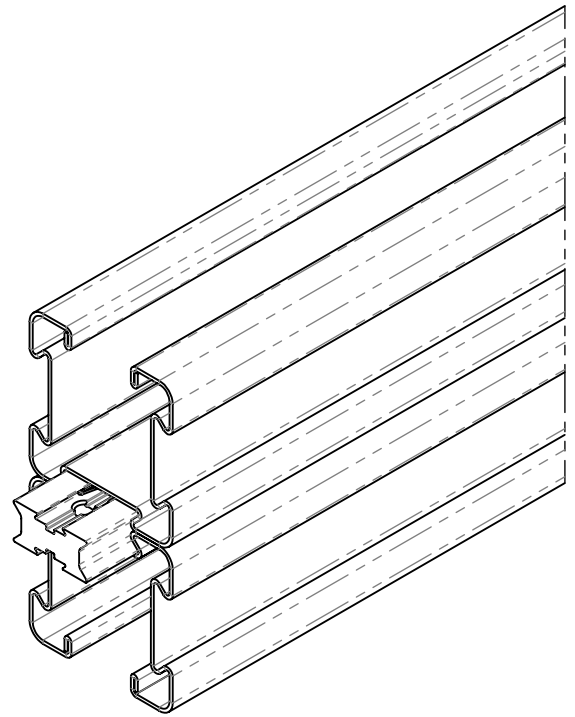



PART NUMBER	A (IN)	THREAD B
4DB3-1/4	3	1/4-20 UNC-2B
4DB3-3/8	3	3/8-16 UNC-2B
4DB5-1/4	5	1/4-20 UNC-2B
4DB5-3/8	5	3/8-16 UNC-2B
4DB7-1/4	7	1/4-20 UNC-2B
4DB7-3/8	7	3/8-16 UNC-2B



THIS DRAWING AND/OR THE TECHNICAL INFORMATION CONTAINED HEREON IS THE PROPERTY OF COOPER B-LINE, INC. ("B-LINE"), AND IS ISSUED IN CONFIDENCE FOR B-LINE ENGINEERING PURPOSES ONLY AND MAY NOT BE REPRODUCED OR USED FOR ANY PURPOSE WHATSOEVER WITHOUT THE EXPRESS WRITTEN PERMISSION OF B-LINE TO THE USER. THIS DRAWING AND/OR TECHNICAL INFORMATION IS THE PROPERTY OF B-LINE AND IS LOANED FOR MUTUAL ASSISTANCE. TO BE RETURNED WHEN ITS INTENDED PURPOSE HAS BEEN SERVED.

 509 W. Monroe Street Highland, IL 62249 Phone (618) 654-2184 FAX (618) 654-5499 www.cooperbline.com	SUBMITTAL DRAWING		REFERENCE DWG(S):	SUBMITTAL NO:	
	TITLE:		24389	S00024389	
	4D DOVETAIL BAR 4DB			DRAWN BY: MRF	REV. A
				DATE: 11/03/14	
			MODEL SOURCE FILE: 00024389	REV: SHEET: 1 OF 1	
EQUIPMENT FURNISHED HAS BEEN FABRICATED IN ACCORDANCE WITH THIS DRAWING.					