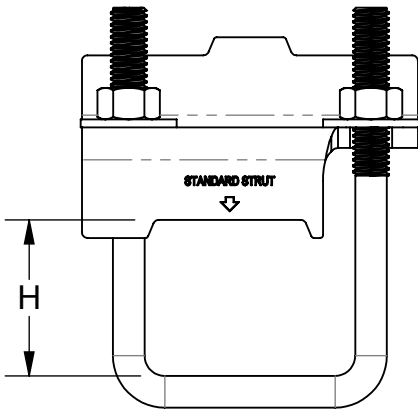
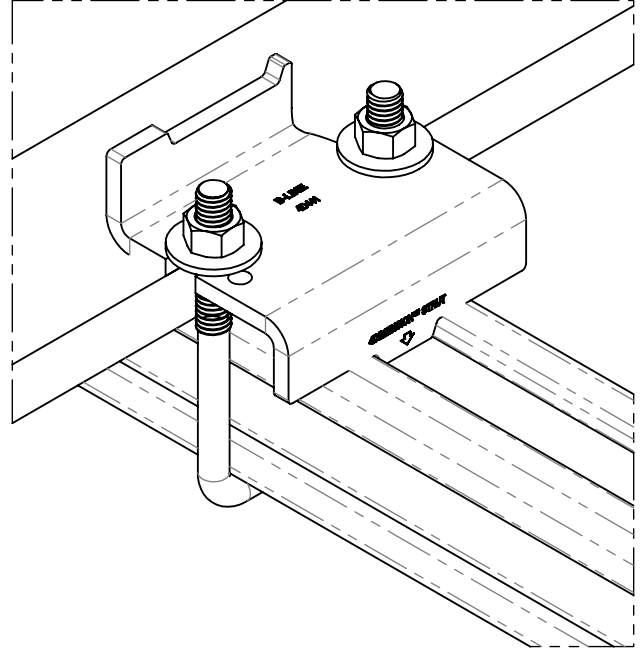
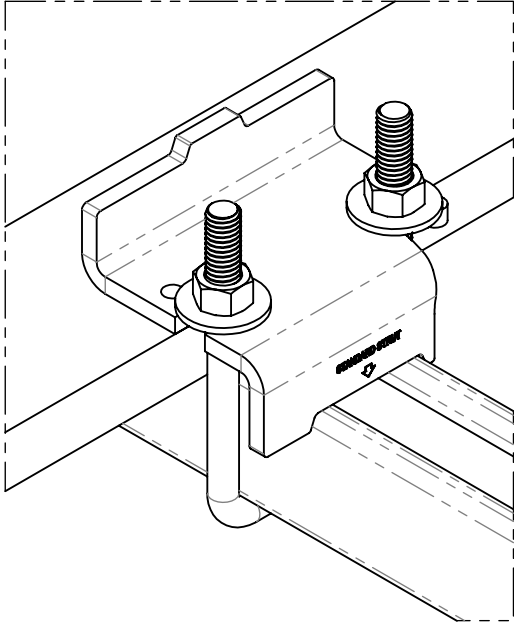
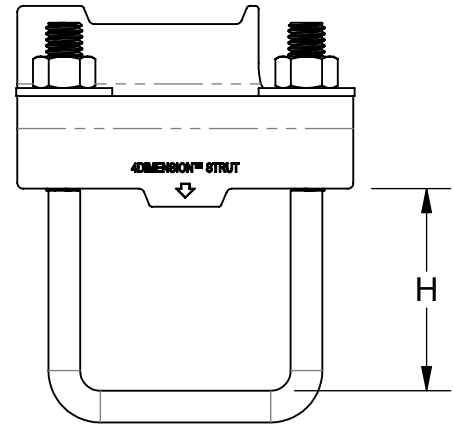


PART NUMBER	STRUT SIDE ASSEMBLED	APPLICATION FOR STRUT	H
4D441-21	4D STRUT SIDE	4D21	1.053
	STD STRUT SIDE	B52, B54, B56	0.813
4D441-22	4D STRUT SIDE	4D22	2.106
	STD STRUT SIDE	B22, B24, B26, B52A,B B54A, B56A	1.625
4D441-22A	4D STRUT SIDE	4D22A	4.213
	STD STRUT SIDE	B11, B22A, B24A, B26A	3.250



STANDARD
STRUT APPLICATION



4D STRUT
APPLICATION

THIS DRAWING AND/OR THE TECHNICAL INFORMATION CONTAINED HEREON IS THE PROPERTY OF COOPER B-LINE, INC. ("B-LINE"), AND IS ISSUED IN CONFIDENCE FOR B-LINE ENGINEERING PURPOSES ONLY AND MAY NOT BE REPRODUCED OR USED FOR ANY PURPOSE WHATSOEVER WITHOUT THE EXPRESS WRITTEN PERMISSION OF B-LINE TO THE USER. THIS DRAWING AND/OR TECHNICAL INFORMATION IS THE PROPERTY OF B-LINE AND IS LOANED FOR MUTUAL ASSISTANCE. TO BE RETURNED WHEN ITS INTENDED PURPOSE HAS BEEN SERVED.

COOPER B-Line

509 W. Monroe Street
Highland, IL 62249
Phone (618) 654-2184
FAX (618) 654-5499

www.cooperbline.com

SUBMITTAL DRAWING

TITLE:

4D BEAM CLAMP
4D441-XX

EQUIPMENT FURNISHED HAS BEEN FABRICATED IN ACCORDANCE WITH THIS DRAWING.

REFERENCE DWG(S):

24498

MODEL SOURCE FILE:

00024498

SUBMITTAL NO.:

S00024498

DRAWN BY:

MRF

REV.

A

DATE:

11/03/14

SHEET:

1 OF 1