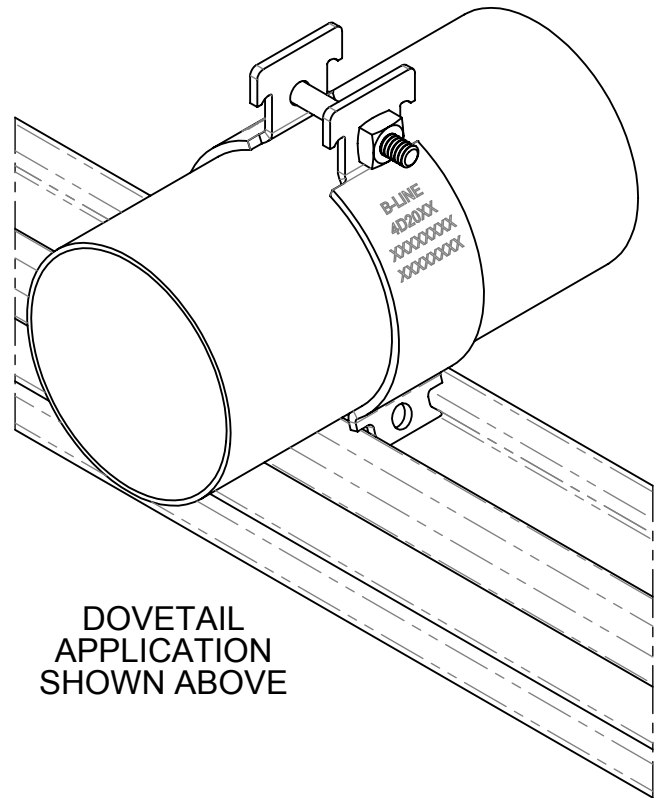
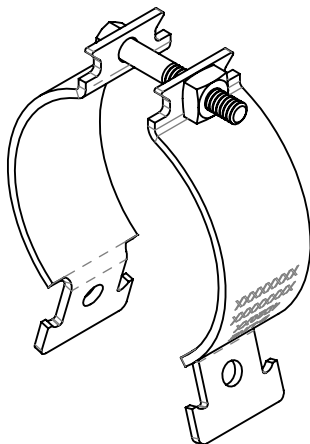


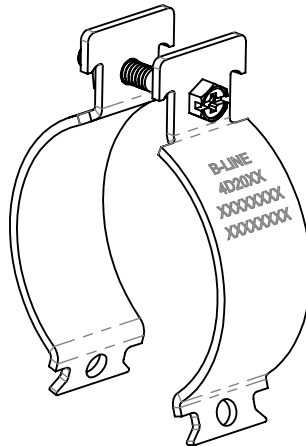
PART NUMBER	ØA (IN)	B (IN)
4D2045	3.000	0.915
4D2046	3.125	0.906
4D2047	3.250	0.892
4D2048	3.375	0.904
4D2015	3.500	0.851
4D2050	3.625	0.955
4D2051	3.750	0.928
4D2052	3.875	0.932
4D2016	4.000	0.861



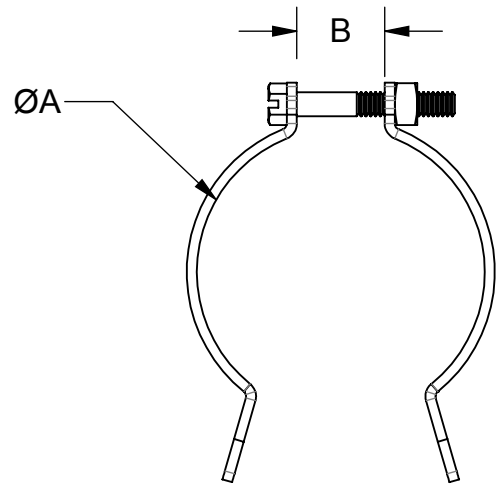
DOVETAIL APPLICATION SHOWN ABOVE




OPEN CHANNEL APPLICATION



DOVETAIL APPLICATION



THIS DRAWING AND/OR THE TECHNICAL INFORMATION CONTAINED HEREON IS THE PROPERTY OF COOPER B-LINE, INC. ("B-LINE"), AND IS ISSUED IN CONFIDENCE FOR B-LINE ENGINEERING PURPOSES ONLY AND MAY NOT BE REPRODUCED OR USED FOR ANY PURPOSE WHATSOEVER WITHOUT THE EXPRESS WRITTEN PERMISSION OF B-LINE TO THE USER. THIS DRAWING AND/OR TECHNICAL INFORMATION IS THE PROPERTY OF B-LINE AND IS LOANED FOR MUTUAL ASSISTANCE. TO BE RETURNED WHEN ITS INTENDED PURPOSE HAS BEEN SERVED.

 509 W. Monroe Street Highland, IL 62249 Phone (618) 654-2184 FAX (618) 654-5499 www.cooperbline.com	SUBMITTAL DRAWING		REFERENCE DWG(S):	SUBMITTAL NO:	
	TITLE: 4D UNIVERSAL PIPE CLAMP 3.000 DIA THRU 4.000 DIA 4D2000		24502C	S00024502C	
			MODEL SOURCE FILE:	REV:	DRAWN BY: REV. MRF A
			00024502C		DATE: 11/03/14
				SHEET: 1 OF 1	

EQUIPMENT FURNISHED HAS BEEN FABRICATED IN ACCORDANCE WITH THIS DRAWING.