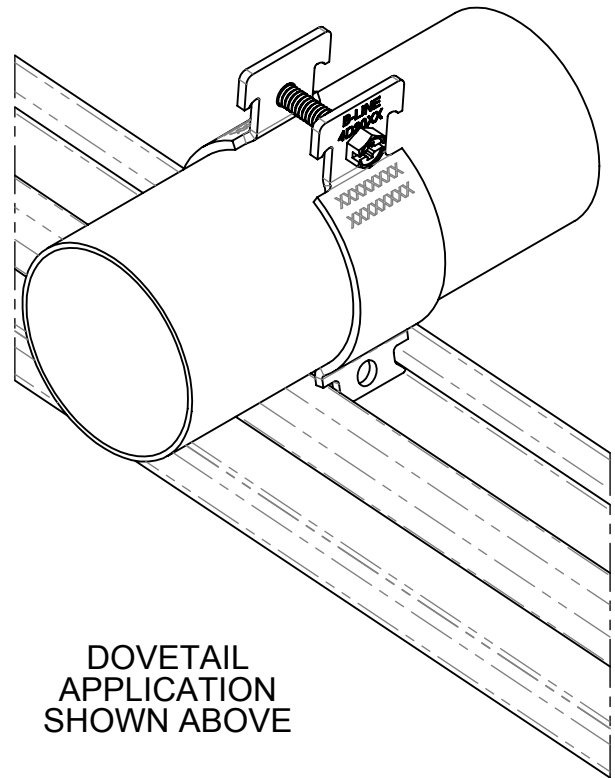
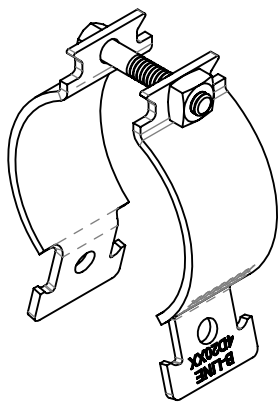


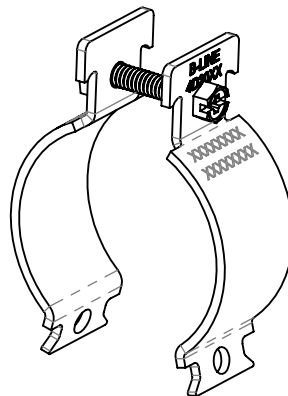
PART NUMBER	ØA (IN.)	B (IN.)
4D2004PA	1.500	0.757
4D2011PA	1.625	0.831
4D2005PA	1.740	0.826
4D2012PA	1.900	0.883
4D2037PA	2.000	0.903
4D2038PA	2.125	0.896
4D2006PA	2.197	0.932
4D2039PA	2.250	0.919
4D2013PA	2.375	0.979
4D2041PA	2.500	0.975
4D2042PA	2.625	0.986
4D2043PA	2.750	1.018
4D2014PA	2.875	1.022



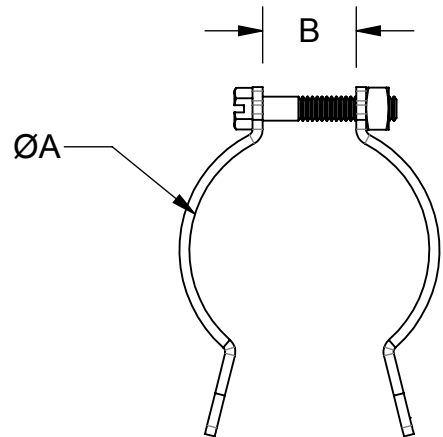
DOVETAIL APPLICATION SHOWN ABOVE



OPEN CHANNEL APPLICATION



DOVETAIL APPLICATION



THIS DRAWING AND/OR THE TECHNICAL INFORMATION CONTAINED HEREON IS THE PROPERTY OF COOPER B-LINE, INC. ("B-LINE"), AND IS ISSUED IN CONFIDENCE FOR B-LINE ENGINEERING PURPOSES ONLY AND MAY NOT BE REPRODUCED OR USED FOR ANY PURPOSE WHATSOEVER WITHOUT THE EXPRESS WRITTEN PERMISSION OF B-LINE TO THE USER. THIS DRAWING AND/OR TECHNICAL INFORMATION IS THE PROPERTY OF B-LINE AND IS LOANED FOR MUTUAL ASSISTANCE. TO BE RETURNED WHEN ITS INTENDED PURPOSE HAS BEEN SERVED.

**COOPER B-Line**

509 W. Monroe Street  
Highland, IL 62249  
Phone (618) 654-2184  
FAX (618) 654-5499

www.cooperbline.com

**SUBMITTAL DRAWING**

TITLE:

**4D UNIVERSAL PIPE CLAMP  
1.500 DIA THRU 2.875 DIA  
4D2000**

REFERENCE DWG(S):

24502B

SUBMITTAL NO.:

S00024502B

DRAWN BY:

MRF

REV.

A

DATE:

11/03/14

MODEL SOURCE FILE:

00024502B

REV:

SHEET:

1 OF 1

EQUIPMENT FURNISHED HAS BEEN FABRICATED IN ACCORDANCE WITH THIS DRAWING.