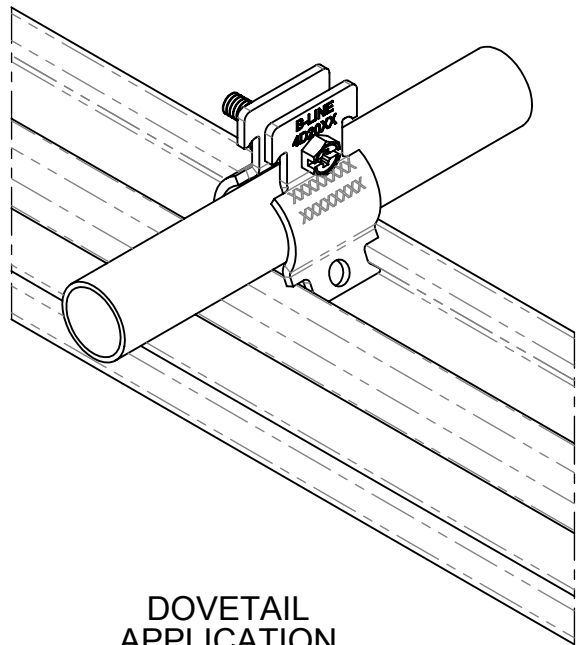
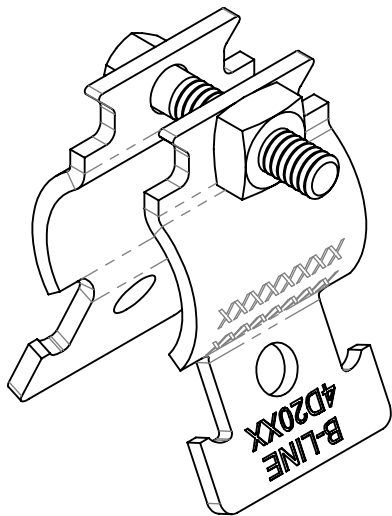


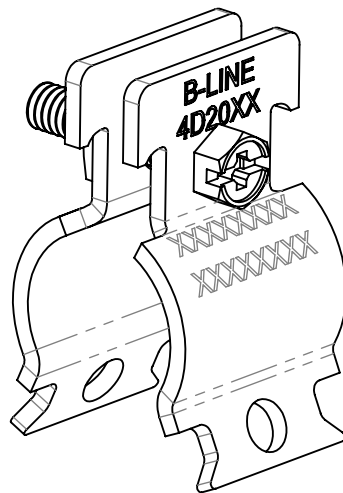
PART NUMBER	ØA	B
4D2023PA	0.250	0.213
4D2024PA	0.375	0.316
4D2025PA	0.500	0.357
4D2000PA	0.577	0.379
4D2026PA	0.625	0.390
4D2001PA	0.706	0.414
4D2027PA	0.750	0.426
4D2008PA	0.840	0.428
4D2002PA	0.922	0.448
4D2029PA	1.000	0.441
4D2009PA	1.050	0.470
4D2030PA	1.125	0.461
4D2003PA	1.163	0.470
4D2031PA	1.250	0.470
4D2010PA	1.315	0.465
4D2032PA	1.375	0.495



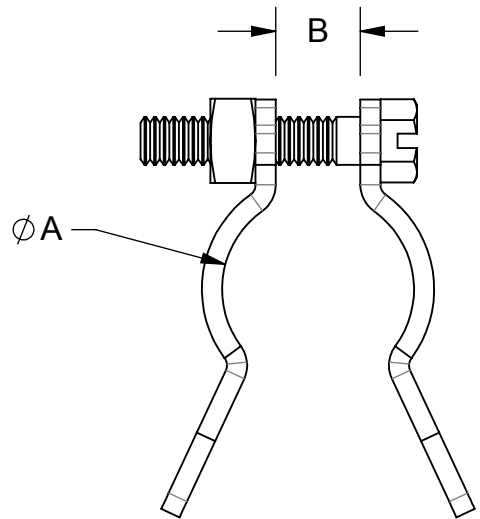
DOVETAIL APPLICATION SHOWN ABOVE




OPEN CHANNEL APPLICATION



DOVETAIL APPLICATION



THIS DRAWING AND/OR THE TECHNICAL INFORMATION CONTAINED HEREON IS THE PROPERTY OF COOPER B-LINE, INC. ("B-LINE"), AND IS ISSUED IN CONFIDENCE FOR B-LINE ENGINEERING PURPOSES ONLY AND MAY NOT BE REPRODUCED OR USED FOR ANY PURPOSE WHATSOEVER WITHOUT THE EXPRESS WRITTEN PERMISSION OF B-LINE TO THE USER. THIS DRAWING AND/OR TECHNICAL INFORMATION IS THE PROPERTY OF B-LINE AND IS LOANED FOR MUTUAL ASSISTANCE. TO BE RETURNED WHEN ITS INTENDED PURPOSE HAS BEEN SERVED.

 509 W. Monroe Street Highland, IL 62249 Phone (618) 654-2184 FAX (618) 654-5499 www.cooperbline.com	<b>SUBMITTAL DRAWING</b>		REFERENCE DWG(S):	SUBMITTAL NO:	
	TITLE: <b>4D UNIVERSAL PIPE CLAMP 0.250 DIA THRU 1.375 DIA 4D2000</b>		24502A	<b>S00024502A</b>	
			MODEL SOURCE FILE:	REV:	DRAWN BY:   REV: MRF   A
			00024502A		DATE: 11/03/14
				SHEET: 1 OF 1	
EQUIPMENT FURNISHED HAS BEEN FABRICATED IN ACCORDANCE WITH THIS DRAWING.					