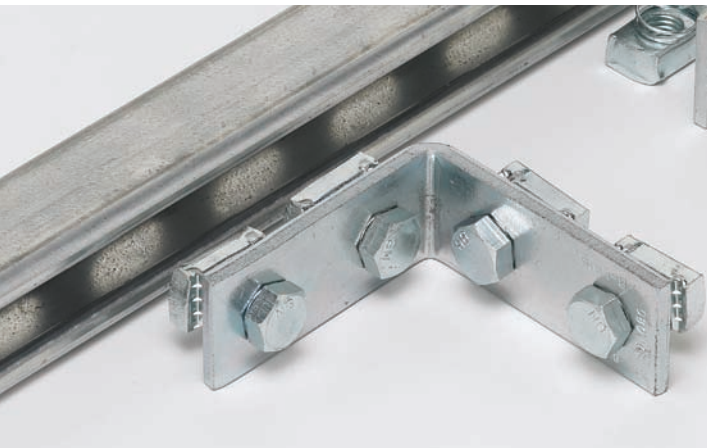


SSPAF-10

Pre-Assembled Strut Fittings

A Labor Savings Solution

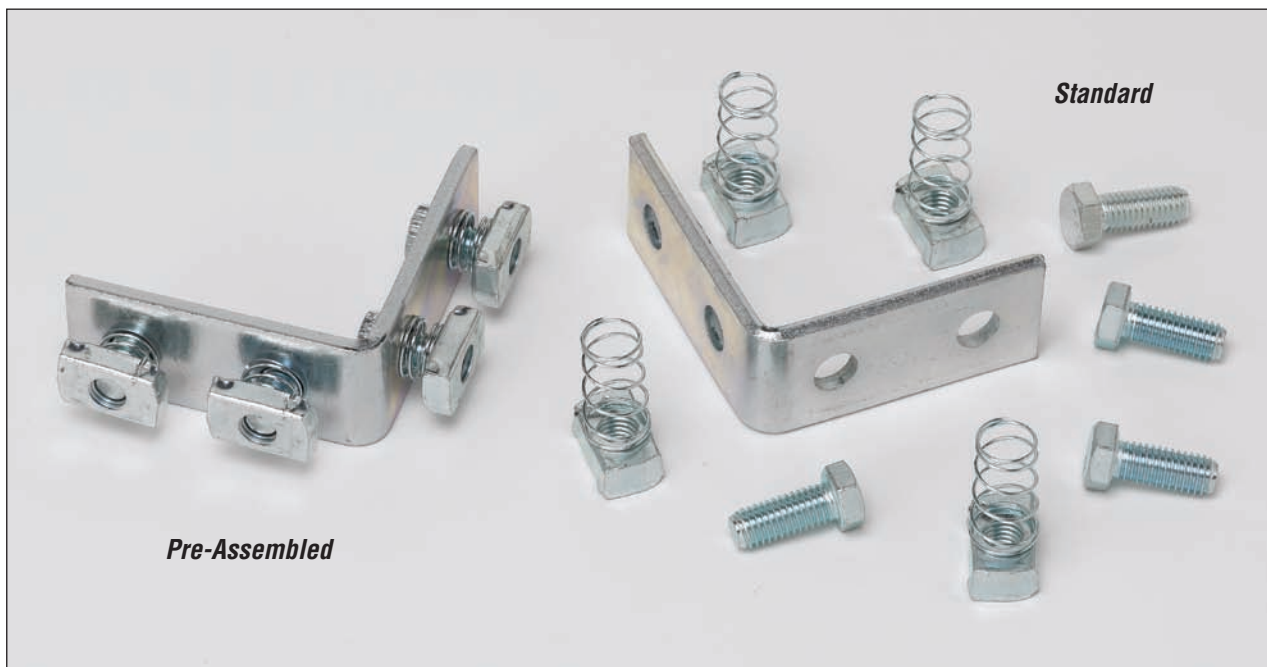
 **COOPER B-Line**



Pre-Assembled Fittings

Cooper B-Line Pre-Assembled Fittings are a suitable alternative for virtually any job that requires standard fitting assemblies. Pre-assembled fittings combine channel nuts and bolts into a unique design that allows for easier and quicker installation on the job-site, resulting in overall labor savings to the customer.

Compare Pre-Assembled to Standard Fitting Assemblies



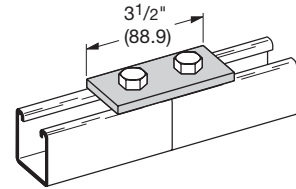
Pre-Assembled Fittings Features

- Combination design reduces the number of parts to handle and purchase
- Allows for easy adjustment when installed in channel
- Channel nuts and bolts have locking liquid applied (takes 5 ft./lbs. of torque to loosen)
- No worry of spring protruding through bottom of slotted channel
- Reduces installation time
- No more tangled spring nuts
- Available in Zinc Plated or DURA-GREEN™ finish

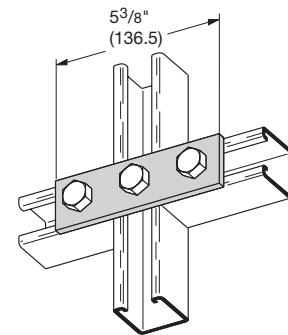
Pre-Assembled Fittings

Flat Plate Fittings

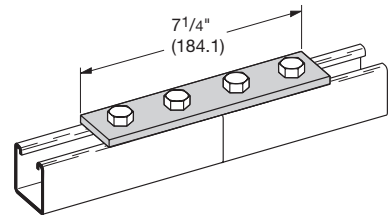
| UPC | Catalog No. | Material | Wt. Per 100 Count |
|-------------|-------------|-------------|-------------------|
| 78205162352 | B129PAZN | Zinc Plated | 72.5 lbs |
| 78205162353 | B129PAGRN | DURA-GREEN™ | 72.5 lbs |



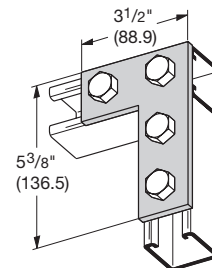
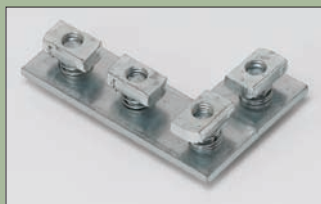
| UPC | Catalog No. | Material | Wt. Per 100 Count |
|-------------|-------------|-------------|-------------------|
| 78205162356 | B141PAZN | Zinc Plated | 110.1 lbs |
| 78205162358 | B141PAGRN | DURA-GREEN™ | 110.1 lbs |



| UPC | Catalog No. | Material | Wt. Per 100 Count |
|-------------|-------------|-------------|-------------------|
| 78205150784 | B341PAZN | Zinc Plated | 142.4 lbs |
| 78205158835 | B341PAGRN | DURA-GREEN™ | 142.4 lbs |



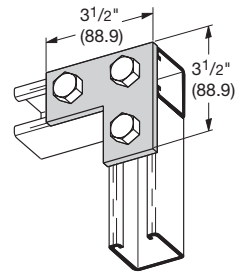
| UPC | Catalog No. | Material | Wt. Per 100 Count |
|-------------|-------------|-------------|-------------------|
| 78205150782 | B143PAZN | Zinc Plated | 139.4 lbs |
| 78205161938 | B143PAGRN | DURA-GREEN™ | 139.4 lbs |



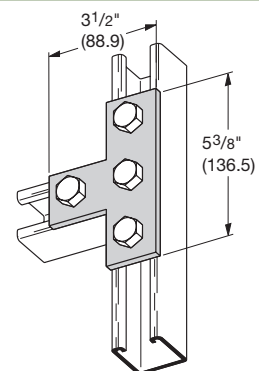
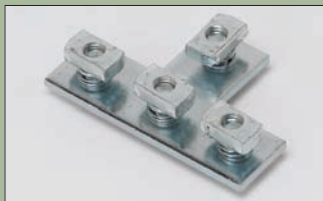
Pre-Assembled Fittings

Flat Plate Fittings

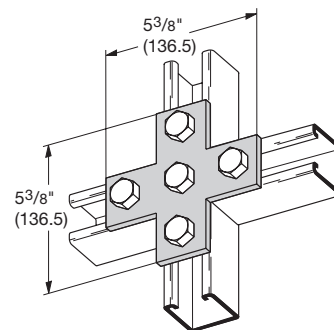
| UPC | Catalog No. | Material | Wt. Per 100 Count |
|-------------|-------------|-------------|-------------------|
| 78205150781 | B140PAZN | Zinc Plated | 104.3 lbs |
| 78205161940 | B140PAGR | DURA-GREEN™ | 104.3 lbs |



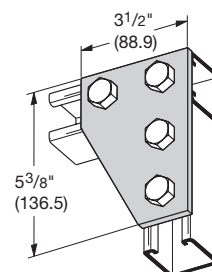
| UPC | Catalog No. | Material | Wt. Per 100 Count |
|-------------|-------------|-------------|-------------------|
| 78205150780 | B133PAZN | Zinc Plated | 139.4 lbs |
| 78205161936 | B133PAGR | DURA-GREEN™ | 139.4 lbs |



| UPC | Catalog No. | Material | Wt. Per 100 Count |
|-------------|-------------|-------------|-------------------|
| 78205158024 | B132PAZN | Zinc Plated | 107.5 lbs |
| 78205162377 | B132PAGR | DURA-GREEN™ | 107.5 lbs |



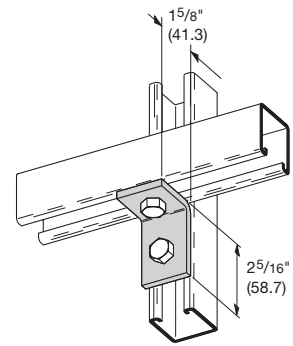
| UPC | Catalog No. | Material | Wt. Per 100 Count |
|-------------|-------------|-------------|-------------------|
| 78205162375 | B142PAZN | Zinc Plated | 197.5 lbs |
| 78205162376 | B142PAGR | DURA-GREEN™ | 197.5 lbs |



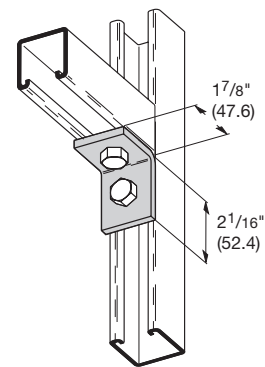
Pre-Assembled Fittings

90 Degree Angle Fittings

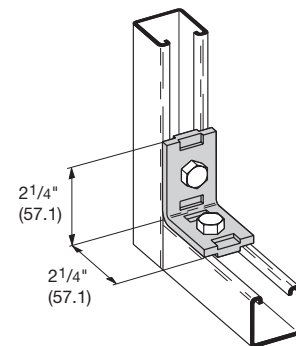
| UPC | Catalog No. | Material | Wt. Per 100 Count |
|-------------|-------------|-------------|-------------------|
| 78205150775 | B101PAZN | Zinc Plated | 61.1 lbs |
| 78205161934 | B101PAGRN | DURA-GREEN™ | 61.1 lbs |



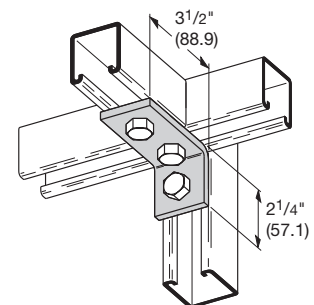
| UPC | Catalog No. | Material | Wt. Per 100 Count |
|-------------|-------------|-------------|-------------------|
| 78205150783 | B230PAZN | Zinc Plated | 69.2 lbs |
| 78205158834 | B230PAGRN | DURA-GREEN™ | 69.2 lbs |



| UPC | Catalog No. | Material | Wt. Per 100 Count |
|-------------|-------------|-------------|-------------------|
| 78205162371 | B231PAZN | Zinc Plated | 77.5 lbs |
| 78205162372 | B231PAGRN | DURA-GREEN™ | 77.5 lbs |



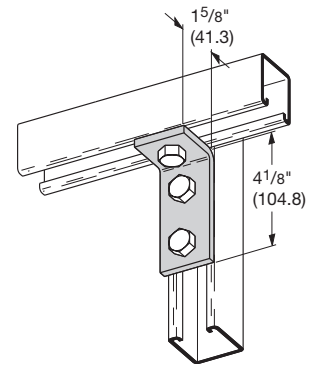
| UPC | Catalog No. | Material | Wt. Per 100 Count |
|-------------|-------------|-------------|-------------------|
| 78205150776 | B102PAZN | Zinc Plated | 88.2 lbs |
| 78205161941 | B102PAGRN | DURA-GREEN™ | 88.2 lbs |



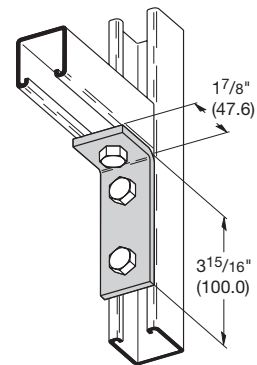
Pre-Assembled Fittings

90 Degree Angle Fittings

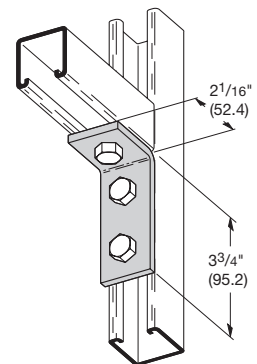
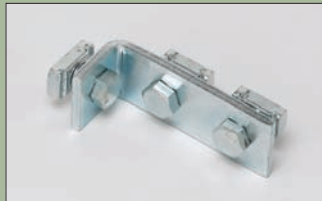
| UPC | Catalog No. | Material | Wt. Per 100 Count |
|-------------|-------------|-------------|-------------------|
| 78205150777 | B103PAZN | Zinc Plated | 104.3 lbs |
| 78205161942 | B103PAGRN | DURA-GREEN™ | 104.3 lbs |



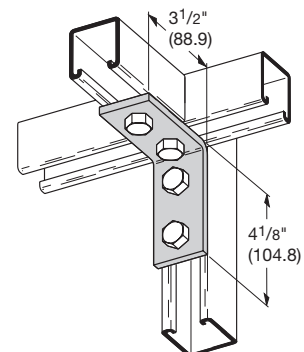
| UPC | Catalog No. | Material | Wt. Per 100 Count |
|-------------|-------------|-------------|-------------------|
| 78205162365 | B232PAZN | Zinc Plated | 110.1 lbs |
| 78205162366 | B232PAGRN | DURA-GREEN™ | 110.1 lbs |



| UPC | Catalog No. | Material | Wt. Per 100 Count |
|-------------|-------------|-------------|-------------------|
| 78205162373 | B374PAZN | Zinc Plated | 110.1 lbs |
| 78205162374 | B374PAGRN | DURA-GREEN™ | 110.1 lbs |



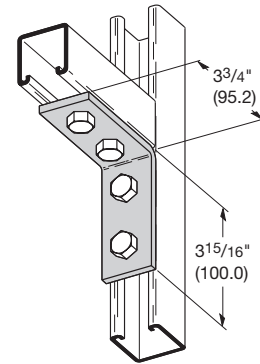
| UPC | Catalog No. | Material | Wt. Per 100 Count |
|-------------|-------------|-------------|-------------------|
| 78205150778 | B104PAZN | Zinc Plated | 142.4 lbs |
| 78205161933 | B104PAGRN | DURA-GREEN™ | 142.4 lbs |



Pre-Assembled Fittings

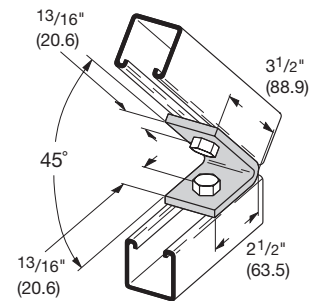
90 Degree Angle Fittings (cont.)

| UPC | Catalog No. | Material | Wt. Per 100 Count |
|-------------|-------------|-------------|-------------------|
| 78205150779 | B115PAZN | Zinc Plated | 142.4 lbs |
| 78205161935 | B115PAGRN | DURA-GREEN™ | 142.4 lbs |



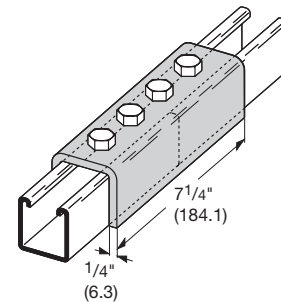
Angular Fittings

| UPC | Catalog No. | Material | Wt. Per 100 Count |
|-------------|-------------|-------------|-------------------|
| 78205162359 | B155PAZN | Zinc Plated | 98.4 lbs |
| 78205162360 | B155PAGRN | DURA-GREEN™ | 98.4 lbs |



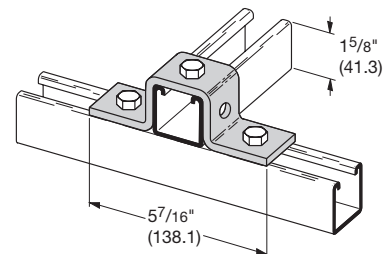
Clevis Fittings

| UPC | Catalog No. | Material | Wt. Per 100 Count |
|-------------|-------------|-------------|-------------------|
| 78205162354 | B172PAZN | Zinc Plated | 322.5 lbs |
| 78205162355 | B172PAGRN | DURA-GREEN™ | 322.5 lbs |



U Fittings

| UPC | Catalog No. | Material | Wt. Per 100 Count |
|-------------|-------------|-------------|-------------------|
| 78205162362 | B107PAZN | Zinc Plated | 129.4 lbs |
| 78205162364 | B107PAGRN | DURA-GREEN™ | 129.4 lbs |



Service Facility - United States:
Cooper B-Line - Highland, IL, USA
509 West Monroe Street
Highland, IL 62249
United States
Phone: (800) 851-7415
Fax: (800) 356-1438
Email: cblineus@cooperindustries.com

Service Facility - Canada:
Cooper B-Line - Canada
Div. of Cooper Ind. Canada, Inc.
5925 McLaughlin Road
Mississauga, ON L5R 1B8
Canada
Phone: (800) 569-3660
Fax: (888) 753-3355
Email: blinecanada@cooperindustries.com

Cooper B-Line - European Operations:
Cooper B-Line, Ltd. - UK
Walrow, Highbridge
Somerset, TA9 4AQ
United Kingdom
Phone: (44) 1278-783371
Fax: (44) 1278-789037
Email: sales@cooperbline.co.uk

Cooper B-Line - Middle East Operations:
PO Box 70160 - Al Khobar - 31952
Kingdom of Saudi Arabia
Phone: 00966 3 812 2236
Fax: 00966 3 812 1291
Email: blineme@cooperindustries.com
URL: www.cooperbline.com/me

Cooper B-Line
509 West Monroe Street
Highland, IL 62249
Phone: 800-851-7415
Fax: 618-654-1917

www.cooperbline.com