



CPVC-10

CPVC Pipe Hangers

Straps To Support Your Piping

 **COOPER** B-Line



CPVC Pipe Straps

Cooper B-Line, Inc. is a leading manufacturer and fabricator of metal products used in the support of pipe and equipment for industrial, commercial, utility, and OEM installations. Cooper B-Line is proud of the exacting standards of research, design, engineering, and manufacturing that go into each and every product that comprise our pipe hanger product line. Our customers have access to the most complete support systems offered in the industry, including pipe hangers, metal framing, cable tray, slotted angle, fasteners, telecom, enclosures and anchors.

Constructed of galvanized steel, CPVC pipe straps have flared edges to help protect pipes from damage. Packaged with hex head screws, the CPVC pipe straps can be installed onto wood beams without drilling. Special tek type screws are available (sold separately) to attach CPVC pipe straps to steel.



B3181

One-Hole Wrap Around CPVC Pipe Strap
(page 3)



B3182

Two-Hole CPVC Pipe Strap
(page 4)



B3183

Two-Hole Side Mount CPVC Pipe Strap
(page 5)



B3184

Two-Hole Stand-Off CPVC Pipe Strap
(page 6)

One-Hole Wrap Around CPVC Pipe Straps

Application:

The One-Hole Wrap Around CPVC Pipe Strap is designed to support pipe running horizontally on the side of a beam. It can also be used, as a guide, to mount CPVC pipe that runs perpendicular across the top of a beam or on a vertical pipe run.



Features:

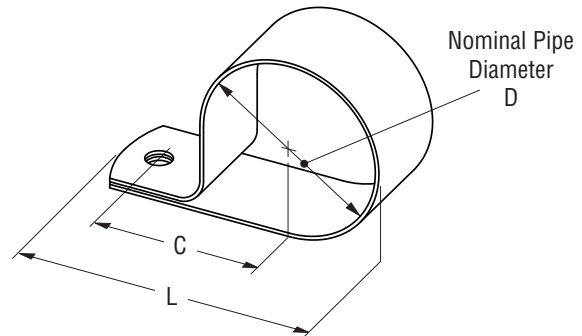
- Beveled edges protects CPVC pipe from damage
- Easily attaches to wood structure with included screws or to minimum 20 gauge steel with special screws (sold separately)
- Strap is UL Listed
- Sizes: 3/4" (19mm) through 2" (50mm) CPVC pipe
- Includes: one (1) each pipe strap and #10 x 15/16" hex head screw
Optional: 1/4" x 1" (25.4mm) tek type screw for mounting to steel (sold separately)
- Strap has one (1) 1/4" (6.3mm) diameter hole for mounting
- Material: 20 gauge (0.9mm) x 1 1/8" (28.6mm) pre-galvanized steel

UPC Number	Part Number	D Nominal Pipe Dia.		L Overall		C		Maximum Spacing		Wt. Per 100	
		in.	mm	in.	mm	in.	mm	in.	mm	lbs.	kg
78205160064	B3181-3/4	1.050	26.7	2 ³ / ₈	60.3	1 ³ / ₈	34.9	66	1676	9.0	4.1
78205160065	B3181-1	1.315	33.4	2 ⁵ / ₈	66.7	1 ⁷ / ₁₆	36.5	72	1829	10.0	4.5
78205160066	B3181-1 1/4	1.660	42.1	2 ⁷ / ₈	47.6	1 ⁹ / ₁₆	39.7	78	1981	12.0	5.4
78205160067	B3181-1 1/2	1.900	48.2	3 ¹ / ₁₆	77.8	1 ⁵ / ₈	41.3	84	2133	12.0	5.4
78205160068	B3181-2	2.375	60.3	3 ⁷ / ₁₆	87.3	1 ¹³ / ₁₆	46.0	96	2438	15.0	6.8

Support Application



Horizontally mount CPVC pipe



Guide Applications



Running CPVC pipe vertically



Running CPVC pipe perpendicular across top of beam

Two-Hole CPVC Pipe Straps



Application:

The Two-Hole CPVC Pipe Strap is designed to support pipe running horizontally on the side of a beam or pipe running perpendicular to the bottom of the beam. It can also be used, as a guide, to mount CPVC pipe that runs perpendicular across the top of a beam or on a vertical pipe run.

Features:

- Beveled edges protects CPVC pipe from damage
- Easily attaches to wood structure with included screws or to minimum 20 gauge steel with special screws (sold separately)
- Retaining dimples simplify installation process
- Strap is UL Listed
- Sizes: 3/4" (19mm) through 2" (50mm) CPVC pipe
- Includes: one (1) pipe strap and two (2) #10 x 15/16" hex head screws
Optional: 1/4" x 1" (25.4mm) tek type screw for mounting to steel (sold separately)
- Strap has two (2) 1/4" (6.3mm) diameter hole for mounting
- Material: 20 gauge (0.9mm) x 1 1/8" (28.6mm) pre-galvanized steel

UPC Number	Part Number	D Nominal Pipe Dia.		L Overall		C		Maximum Spacing		Wt. Per 100	
		in.	mm	in.	mm	in.	mm	in.	mm	lbs.	kg
78205160069	B3182-3/4	1.050	26.7	3 1/16	77.8	2 3/16	55.6	66	1676	9.0	4.1
78205160071	B3182-1	1.315	33.4	3 3/8	85.7	2 1/2	63.5	72	1829	10.0	4.5
78205160072	B3182-1 1/4	1.660	42.1	3 3/4	95.2	2 7/8	73.0	78	1981	12.0	5.4
78205160073	B3182-1 1/2	1.900	48.2	4 1/8	104.8	3 1/4	82.5	84	2133	12.0	5.4
78205160074	B3182-2	2.375	60.3	4 3/8	111.1	3 1/2	88.9	96	2438	15.0	6.8

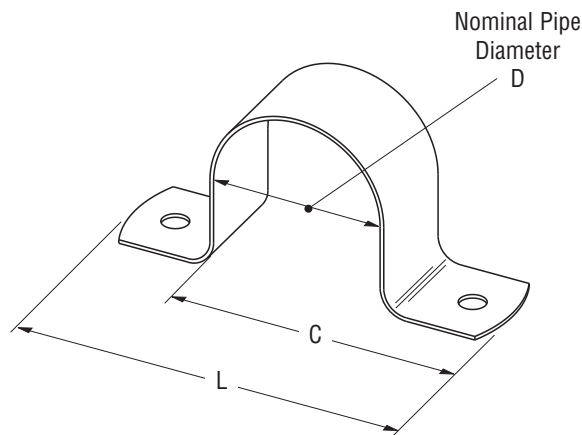
Support Applications



Side mounted on wood joist



Bottom mounted on wood joist



Guide Applications



Running CPVC pipe perpendicular across top of beam



Running CPVC pipe vertically

Two-Hole Side Mount CPVC Pipe Straps

Application:

The Two-Hole Side Mount CPVC Pipe Strap is designed to support pipe running perpendicular to the beam. When attached to the bottom of the beam it supports the pipe, but when attached to the top of the beam it will only act as a guide.

Features:

- Beveled edges protects CPVC pipe from damage
- Easily attaches to wood structure with included screws or to minimum 20 gauge steel with special screws (sold separately)
- Retaining dimples simplify installation process
- Strap is UL Listed
- Sizes: 3/4" (19mm) through 2" (50mm) CPVC pipe
- Includes: one (1) pipe strap and two (2) #10 x 1⁵/₁₆" hex head screws
Optional: 1/4" x 1" (25.4mm) tek type screw for mounting to steel (sold separately)
- Strap has two (2) 1/4" (6.3mm) diameter hole for mounting
- Material: 20 gauge (0.9mm) x 1¹/₈" (28.6mm) pre-galvanized steel

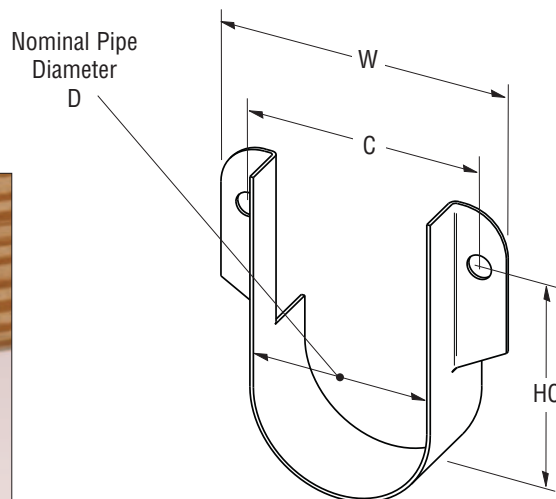


UPC Number	Part Number	D Nominal Pipe Dia.		W Overall		C		HC		Maximum Spacing		Wt. Per 100	
		in.	mm	in.	mm	in.	mm	in.	mm	in.	mm	lbs.	kg
78205160075	B3183-3/4	1.050	26.7	2 ⁵ / ₁₆	58.7	1 ¹¹ / ₁₆	43.8	1 ⁷ / ₈	47.6	66	1676	9.0	4.1
78205160076	B3183-1	1.315	33.4	2 ⁹ / ₁₆	65.1	1 ¹⁵ / ₁₆	49.2	2 ³ / ₁₆	55.6	72	1829	10.0	4.5
78205160077	B3183-1 ¹ / ₄	1.660	42.1	2 ¹⁵ / ₁₆	74.6	2 ⁵ / ₁₆	58.7	2 ¹ / ₂	63.5	78	1981	11.0	5.0
78205160078	B3183-1 ¹ / ₂	1.900	48.2	3 ¹ / ₄	82.5	2 ⁵ / ₈	66.7	2 ¹³ / ₁₆	71.4	84	2133	12.0	5.4
78205160079	B3183-2	2.375	60.3	3 ⁵ / ₈	92.1	3	76.2	3 ¹ / ₄	82.5	96	2438	13.0	5.9

Support Application



Perpendicular pipe run bottom mounted on wood joist



Guide Application



Perpendicular pipe run top mounted on wood joist

Two-Hole Stand-Off CPVC Pipe Straps



Application:

The Two-Hole Stand-Off CPVC Pipe Strap is designed to support CPVC pipe running horizontally on the side of a beam or perpendicular across the bottom of the beam. It can also be used, as a guide, to mount CPVC pipe that runs perpendicular across the top of a beam or on a vertical pipe run.

Features:

- Beveled edges protects CPVC pipe from damage
- Easily attaches to wood structure with included screws or to minimum 18 gauge steel with special screws (sold separately)
- Strap is UL Listed
- Sizes: 3/4" (19mm) through 2" (50mm) CPVC pipe
- Includes: one (1) pipe strap and two (2) #10 x 15/16" hex head screws
Optional: 1/4" x 1" (25.4mm) tek type screw for mounting to steel (sold separately)
- Strap has two (2) 1/4" (6.3mm) diameter hole for mounting
- Material: 20 gauge (0.9mm) x 1 1/8" (28.6mm) pre-galvanized steel

UPC Number	Part Number	D Nominal Pipe Dia.		L Overall		H Overall		Maximum Spacing		Wt. Per 100	
		in.	mm	in.	mm	in.	mm	in.	mm	lbs.	kg
78205160081	B3184-3/4	1.050	26.7	29/16	65.1	4 1/4	107.9	66	1676	9.0	4.1
78205160082	B3184-1	1.315	33.4	2 13/16	71.4	4 1/2	114.3	72	1829	10.0	4.5
78205160083	B3184-1 1/4	1.660	42.1	3 3/16	81.0	4 5/8	117.5	78	1981	12.0	5.4
78205160084	B3184-1 1/2	1.900	48.2	3 7/16	87.3	5	127.0	84	2133	12.0	5.4
78205160085	B3184-2	2.375	60.3	3 7/8	98.4	5	127.0	96	2438	15.0	6.8

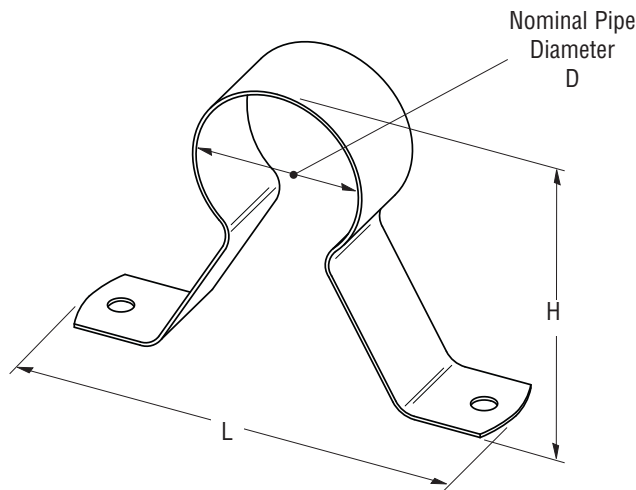
Support Applications



Side mounted on wood joist



Bottom mounted on wood joist



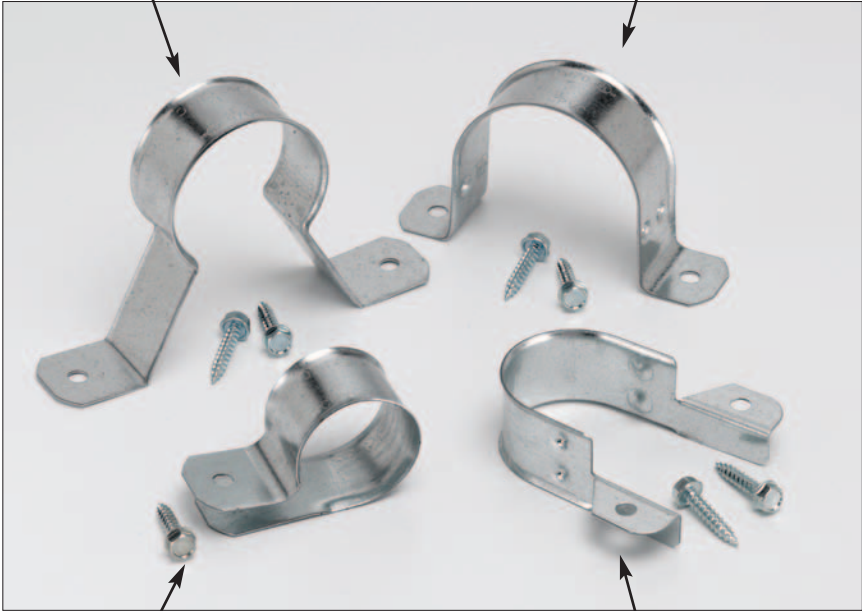
Guide Applications



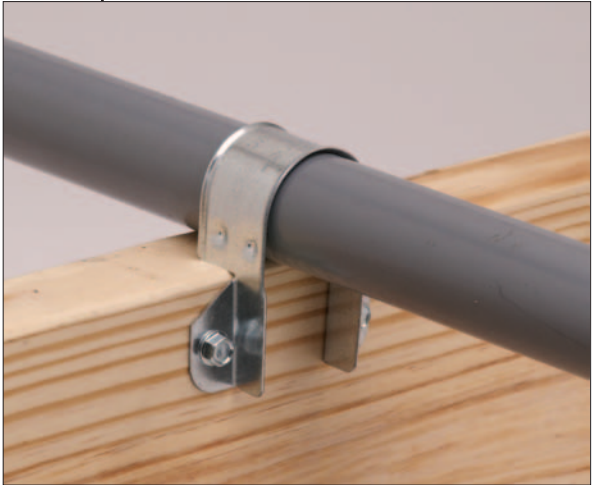
Running CPVC pipe perpendicular across top of beam



Running CPVC pipe vertically



Note:
Hex head screws are included with clamps for mounting to wood support surfaces. When mounting to a steel surface, a 1/4" x 1" tek type screw is required (sold separately)



Special screws are available when mount straps to steel, order separately.

Cooper B-Line Product Lines

Strut Systems (Bolted Framing)
Cable Tray Systems
Electrical Enclosures
Electronic Enclosures
Metering
Pipe Hangers & Support Systems
Spring Steel Fasteners
Cable Runway & Relay Racks (CommData)
Meter Mounting & Distribution Equipment
Safety Grating
Anchors

CPVC-10

Cooper B-Line

509 West Monroe Street
Highland, IL 62249
Phone: 800-851-7415
Fax: 618-654-1917

www.cooperbline.com

• Contact Information •



SYSTEMS THAT MAKE SENSE

Cooper Industries, Ltd.
600 Travis, Ste. 5800
Houston, TX 77002-1001
Phone: 713-209-8400
www.cooperindustries.com