

B-Line

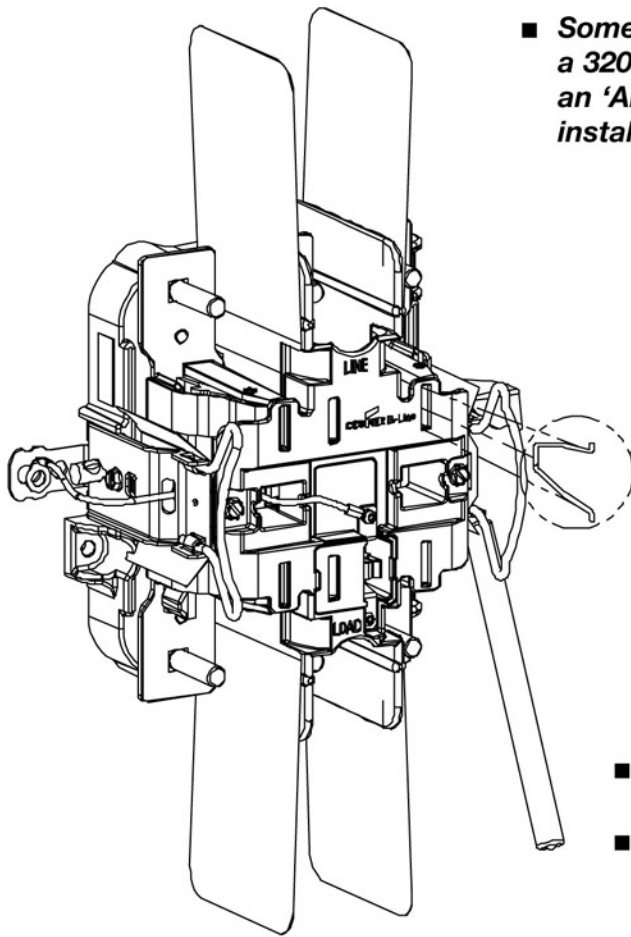
SYSTEMS THAT MAKE SENSE



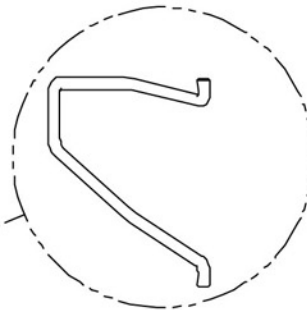
A D V A N T A G E

Metering

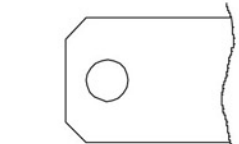
32AIC Anti-Inversion Clip



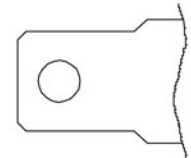
- *Some utilities may require a 320 Amp meter socket have an 'Anti-Inversion Clip' installed in the top right jaw.*



Anti-Inversion
Clip



Typical 200 Amp &
320 Amp Meter Spade



Reduced 320 Amp
Meter Spade style
required by some
utilities

- *Easily field installed.*
- *Prevents 200 Amp class watt-hour meters from being installed in 320 Amp meter sockets.*

32AIC Kit Includes:

- Anti-Inversion Clip
- Label shown at right
- Installation Instructions

**USE 320 AMP
METER ONLY**