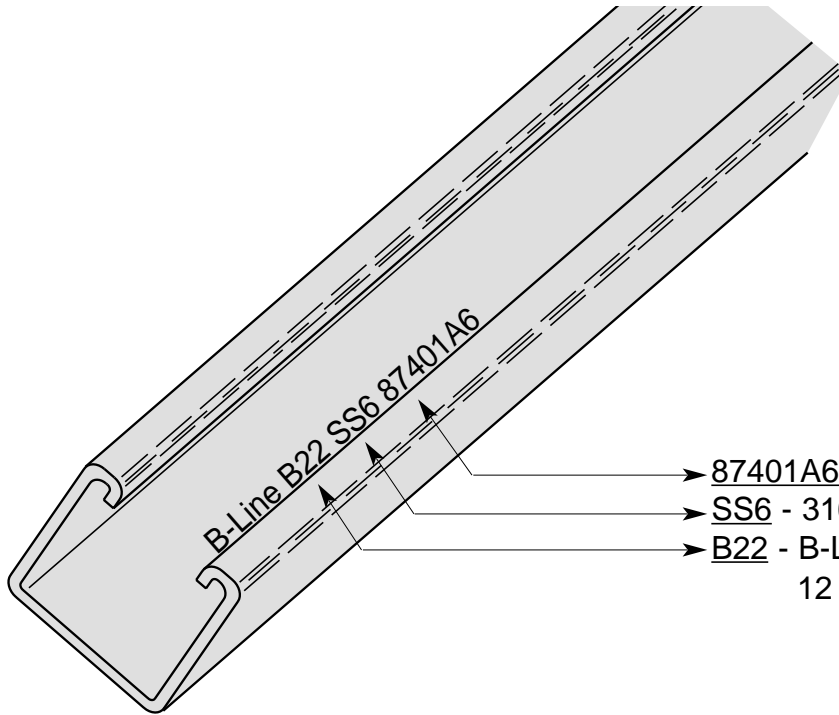


# The B-Line®



## Advantage

### Identification on the Job - - When You Need It!



**B-Line Steel Strut is stamped every 18" with:**

- Company Name
- Part Number
- Material
- Heat Code Number

- ➔ **87401A6** - Traceable to the steel's origin
- ➔ **SS6** - 316 stainless steel
- ➔ **B22** - B-Line part number designating 12 gauge, 1 5/8" x 1 5/8"

## B-Line's standard materials and finishes

### Materials

Plain Steel: ASTM A570 and A611 (structural grade)

Pregalvanized Steel: ASTM A653 SS (CSA Type II) (structural grade)

Stainless Steel: AISI Type 304

Stainless Steel: AISI Type 316

### Finishes

Pregalvanized (CSA Type II) ASTM A653 SS G90

Hot Dip Galvanized After Fabrication (CSA Type 1)

ASTM A123

Duragreen - electro deposited epoxy

# Why Specify and Use B-Line Strut?

## Structural quality material

B-Line uses only *structural quality* material for our strut channel (see front). *Structural quality* steel must meet established chemical and physical (strength) requirements. As strut continues to replace angle iron, and other traditional ASTM A36 structural steel shapes, it is important to retain the integrity of the support system by continuing to use structural grade materials.

Commercial or merchant quality steel is not required to meet any certain minimum physical requirements. There is no mandatory strength testing, and therefore no ability to trace the material. Also, the catalog loading charts for strut are based on 25,000 psi design stress. Without verifying the actual strength of the material for each lot of steel, there is no way to validate or guarantee the load chart data, or safety factor, the result of which can be excessive deflection or failure of the channel.

## Material and product identification

While structural quality steel is the heart of the strut identification program with our heat code numbering, B-Line goes the extra step to help users identify the product. Our name, part number, and in the case of stainless steel - our material type, is stamped on the part as well. The part numbering system indicates the gauge thickness, and dimensions (B22 is 12 ga., B24 is 14 ga., etc). For stainless steel the alloy type is indicated (SS4 for type 304 and SS6 for type 316 stainless steel) for material quality assurance and on-site identification.

## Widest range of protective finishes & accessories available

In addition to the steel materials and finishes listed on the front, B-Line can also provide alternative products for the toughest environments. Aluminum, PVC coatings, and fiberglass in both polyester and vinyl ester resins are also available.

B-Line also offers the widest array of strut fittings, pipe and conduit straps, and other accessories to complete the project.

## Additional product lines

B-Line also offers a wide array of support products: Pipe hangers, anchors, vibration and isolation products, seismic bracing, spring steel fasteners, cable trays, telecom equipment supports, electrical and electronic enclosures. Contact us for a manufacturers rep near you!



P.O. Box 326  
Highland, Illinois 62249-0326

Phone: 618-654-2184  
Fax: 618-654-1917