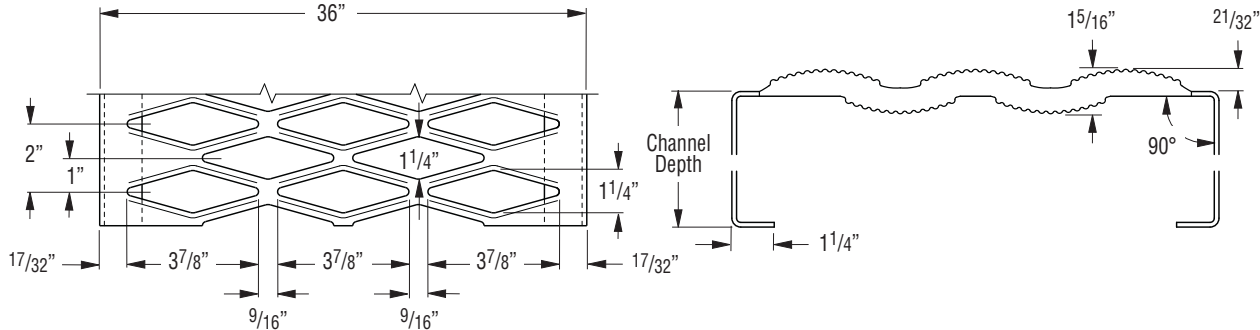


Grip Strut Plank - Safe Loading Tables



8-Diamond Plank — 36" Width — "H" Series



Plank Selection & Design Loads/Deflections

Allowable Loads and Deflections: U=Uniform Load (lb./ft.²) C= Concentrated Load (lb.) D=Deflection (in.)

Material Gauge	Channel Depth in. (mm)	Weight lb./lin. ft. (kg/m)	Catalog Number	Span																	
				2'-0"	2'-6"	3'-0"	3'-6"	4'-0"	4'-6"	5'-0"	5'-6"	6'-0"	6'-6"	7'-0"	7'-6"	8'-0"	9'-0"	10'-0"	11'-0"	12'-0"	
Steel 11 ga.	2" (38.1)	18.0 (26.8)	H-82011	U	620	397	275	203	155	122	99	82	69	59	44	39	31	25	21	17	
				D	.05	.08	.11	.15	.19	.24	.30	.35	.41	.47	.54	.62	.69	.85	1.04	1.24	1.45
				C	1860	1488	1240	1063	930	827	744	677	620	572	531	496	465	413	372	338	310
				D	.04	.06	.09	.12	.15	.19	.24	.28	.33	.38	.44	.49	.55	.68	.81	.98	1.16
	2 1/2" (63.5)	18.4 (27.4)	H-82511	U	950	601	418	307	235	185	150	124	104	89	77	67	59	47	38	32	26
				D	.05	.07	.10	.14	.18	.23	.27	.32	.36	.42	.49	.55	.62	.79	.96	1.15	1.35
				C	2820	2256	1880	1611	1410	1254	1128	1025	940	868	806	752	705	626	564	513	470
				D	.04	.06	.08	.11	.14	.18	.22	.25	.29	.34	.39	.44	.50	.63	.76	.91	1.08
	3" (76.2)	18.9 (28.1)	H-83011	U	1000	640	445	327	250	197	160	132	111	95	82	71	62	50	40	33	28
				D	.04	.06	.08	.11	.15	.18	.22	.26	.30	.34	.39	.44	.48	.58	.68	.80	.95
				C	3000	2400	2000	1715	1500	1333	1180	1091	1000	923	857	800	750	667	600	545	500
				D	.03	.05	.07	.09	.12	.15	.17	.21	.24	.28	.31	.35	.39	.47	.55	.64	.76
4" (101.6)	19.7 (29.3)	H-84011	U	1640	1049	729	536	410	324	263	217	182	156	134	117	103	81	66	54	45	
			D	.03	.05	.07	.09	.12	.14	.17	.20	.23	.27	.31	.35	.39	.47	.56	.66	.78	
			C	4920	3936	3280	2812	2460	2187	1968	1789	1640	1514	1406	1312	1230	1094	935	895	820	
			D	.03	.04	.06	.07	.09	.11	.14	.16	.19	.22	.25	.28	.31	.38	.45	.53	.63	
Steel 10 ga.	2" (50.8)	19.9 (29.6)	H-82010	U	689	441	306	225	172	136	110	91	77	65	56	49	43	34	28	23	19
				D	.05	.08	.11	.15	.19	.24	.30	.35	.41	.47	.54	.62	.69	.85	1.04	1.24	1.45
				C	2067	1653	1378	1181	1033	919	827	752	689	636	590	551	517	459	413	376	344
				D	.04	.06	.09	.12	.15	.19	.24	.28	.33	.38	.44	.49	.55	.68	.81	.98	1.16
	2 1/2" (63.5)	20.4 (30.3)	H-82510	U	1044	668	464	341	261	206	167	138	116	99	85	74	65	52	42	35	29
				D	.05	.07	.10	.14	.18	.23	.27	.32	.36	.42	.49	.55	.62	.79	.96	1.15	1.35
				C	3133	2507	2089	1790	1567	1393	1253	1139	1044	964	895	836	783	696	627	570	522
				D	.04	.06	.08	.11	.14	.18	.22	.25	.29	.34	.39	.44	.50	.63	.76	.91	1.08
	3" (76.2)	20.9 (31.1)	H-83010	U	1111	711	494	363	278	219	178	147	123	105	91	79	69	55	44	37	31
				D	.04	.06	.08	.11	.15	.18	.22	.26	.30	.34	.39	.44	.48	.58	.68	.80	.95
				C	3333	2667	2222	1905	1667	1481	1311	1212	1111	1026	952	889	833	741	667	606	556
				D	.03	.05	.07	.09	.12	.15	.17	.21	.24	.28	.31	.35	.39	.47	.55	.64	.76
4" (101.6)	21.8 (32.4)	H-84010	U	1822	1166	810	595	456	360	292	241	202	173	149	130	114	90	73	60	50	
			D	.03	.05	.07	.09	.12	.14	.17	.20	.23	.27	.31	.35	.39	.47	.56	.66	.78	
			C	5467	4373	3644	3124	2733	2430	2187	1988	1822	1682	1562	1458	1367	1215	1039	994	911	
			D	.03	.04	.06	.07	.09	.11	.14	.16	.19	.22	.25	.28	.31	.38	.45	.53	.63	



Grip Strut Plank - Safe Loading Tables

8-Diamond Plank — 36" Width — "H" Series cont.

Plank Selection & Design Loads/Deflections

Allowable Loads and Deflections: U=Uniform Load (lb./ft.²) C= Concentrated Load (lb.) D=Deflection (in.)

Material Gauge	Channel Depth in. (mm)	Weight lb./lin. ft. (kg/m)	Catalog Number	Span																	
				2'-0"	2'-6"	3'-0"	3'-6"	4'-0"	4'-6"	5'-0"	5'-6"	6'-0"	6'-6"	7'-0"	7'-6"	8'-0"	9'-0"	10'-0"	11'-0"	12'-0"	
Steel 9 ga.	2" (38.1)	22.1 (32.9)	H-82009	U	758	485	337	248	189	150	121	100	85	72	62	54	47	37	31	25	21
				D	.05	.08	.11	.15	.19	.24	.30	.35	.41	.47	.54	.62	.69	.85	1.04	1.24	1.45
				C	2274	1818	1516	1299	1136	1011	910	827	758	700	649	606	569	505	454	414	378
	2 1/2" (63.5)	22.7 (33.8)	H-82509	U	1148	735	510	375	287	227	184	152	128	109	94	81	72	57	46	39	32
				D	.05	.07	.10	.14	.18	.23	.27	.32	.36	.42	.49	.55	.62	.79	.96	1.15	1.35
				C	3446	2758	2298	1969	1724	1532	1378	1253	1148	1060	985	920	861	766	690	627	574
	3" (76.2)	23.9 (35.5)	H-83009	U	1222	782	543	399	306	241	196	162	135	116	100	87	76	61	48	41	34
				D	.04	.06	.08	.11	.15	.18	.22	.26	.30	.34	.39	.44	.48	.58	.68	.80	.95
				C	3666	2934	2444	2096	1834	1629	1442	1333	1222	1129	1047	978	916	815	734	667	612
	4" (101.6)	24.2 (36.0)	H-84009	U	2004	1283	891	655	502	396	321	265	222	190	164	143	125	99	80	66	56
				D	.03	.05	.07	.09	.12	.14	.17	.20	.23	.27	.31	.35	.39	.47	.56	.66	.78
				C	6014	4810	4008	3436	3006	2673	2406	2187	2004	1850	1718	1604	1504	1337	1143	1093	1002
			D	.03	.04	.06	.07	.09	.11	.14	.16	.19	.22	.25	.28	.31	.38	.45	.53	.63	

Strut Concentrated - Loads/Deflections⁽²⁾

Plank Width	Thickness	Concentrated C _s (lb./ft.)	
		Serrated	Non-Serrated
36"	11 ga. Steel	447	510
	10 ga. Steel	515	587
	9 ga. Steel	586	667
	Deflection (in.)	0.16	0.15

C_s = Allowable Concentrated Load per ft. of length at mid-width (lb./ft.)

(2) See "General Load information", page 4, for explanation of design load deflection conditions.

Strut Uniform - Loads/Deflections⁽²⁾

Plank Width	Thickness	Concentrated U (lb./ft. ²)	
		Serrated	Non-Serrated
36"	11 ga. Steel	298	340
	10 ga. Steel	343	391
	9 ga. Steel	391	444
	Deflection (in.)	0.20	0.19

U = Allowable Uniform Load (lb./ft.²)

(2) See "General Load information", page 4, for explanation of design load deflection conditions.