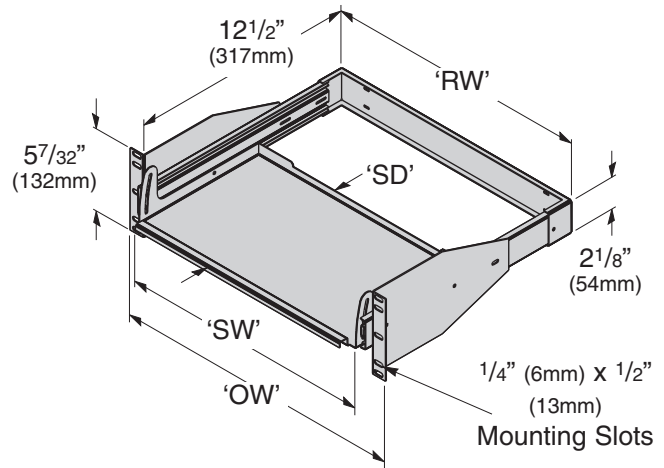


Rack Mounted Keyboard Tray, Sliding/Tilting

- Use to mount keyboard allowing adjustment to convenient working angle.
- Slide allows keyboard to be recessed when not in use.
- Two (2) mounting spaces required.
- Up to 50 Lbs. (.23kg) load capacity
- Includes: #12-24 mounting hardware.
- Material: .090 (2.3mm) 5052-H32 aluminum sheet
- Finish __: **Brushed (AL),**
Telco Gray Powder Coat (TG) or
Flat Black Powder Coat (FB)
Other finishes are available upon request.
- Ordering: Specify part number and finish abbreviation.

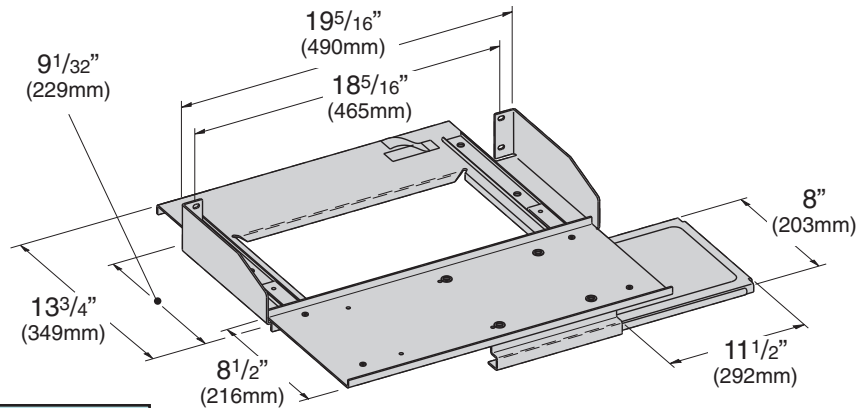


Part Number	Rack Width		Overall Shelf Width 'OW'		Rear Width 'RW'		Shelf Width 'SW'		Shelf Depth 'SD'	
	In.	(mm)	In.	(mm)	In.	(mm)	In.	(mm)	In.	(mm)
SB742T19 __	19"	(482)	18.9"	(480)	17 1/2"	(444)	15"	(381)	9"	(228)
SB742T23 __	23"	(584)	22.9"	(581)	21 1/2"	(546)	19"	(482)	9"	(228)

Part Number	Shelf Assembly (Closed)		Shelf Assembly (Open)		Weight	
	In.	(mm)	In.	(mm)	Lbs.	(kg)
SB742T19 __	14 1/2"	(368)	27"	(686)	7.5	(3.4)
SB742T23 __	18 1/2"	(470)	31"	(787)	8.5	(3.8)

Rack Mounted Keyboard Tray, Sliding With Mouse Tray

- Designed to support a keyboard and mouse from the equipment rack.
- Rack mounting hardware included.
- Self-adhesive Velcro® wire management wrap included to contain keyboard cord.
- Material: Aluminum
- Finish ___: Brushed (AL), Telco Gray Powder Coat (TG) or Flat Black Powder Coat (FB)
Other finishes are available upon request.

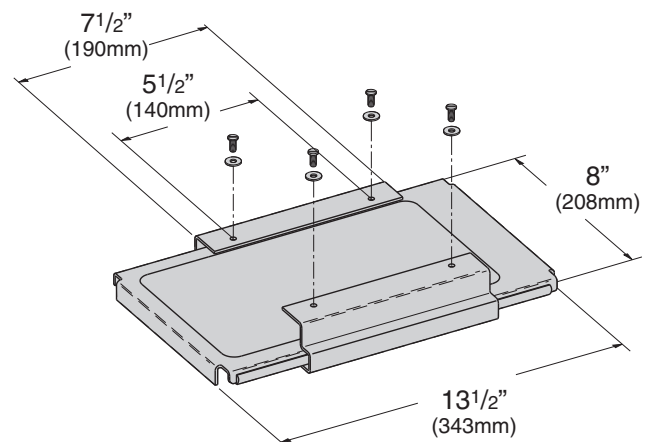


Part Number	Rack Width		Weight	
	In.	(mm)	Lbs.	(kg)
SB742M19__	19"	(482)	7.4	(3.3)
SB742M23__	23"	(584)	8.0	(3.6)

Mouse Tray Kit for Retrofit on SB743KB

- Mouse tray may be mounted in four ways as shown below.
- Mounting hardware included.
- Material: Aluminum
- Finish ___: Brushed (AL)
Telco Gray Powder Coat (TG), Flat Black Powder Coat (FB) or Computer White Powder Coat (CW)

Part Number	Weight	
	Lbs.	(kg)
SB743M__	2.0	(0.9)



4 Mounting Positions

