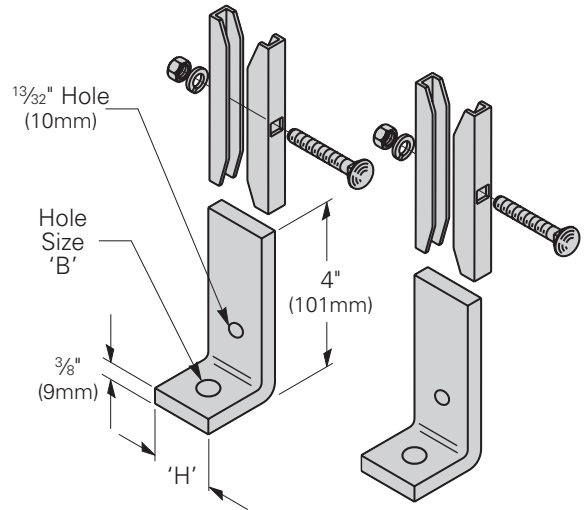
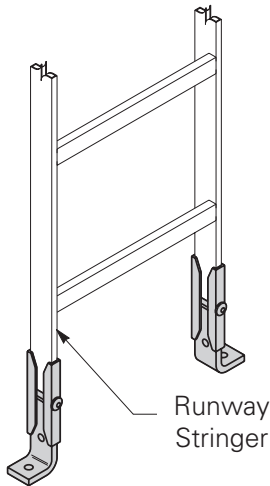


Cable Runway & Accessories

Runway Foot Kit

- Use to secure cable runway to floor, ceiling, or wall
- Order anchors separately
- Includes: (2) end supports, (2) clamps and $\frac{5}{16}$ "-18 hardware
- Material: ASTM A36 structural steel
- UL Classified - file number E60548
- Finish___: Black zinc (BZ)
Yellow zinc (YZ)

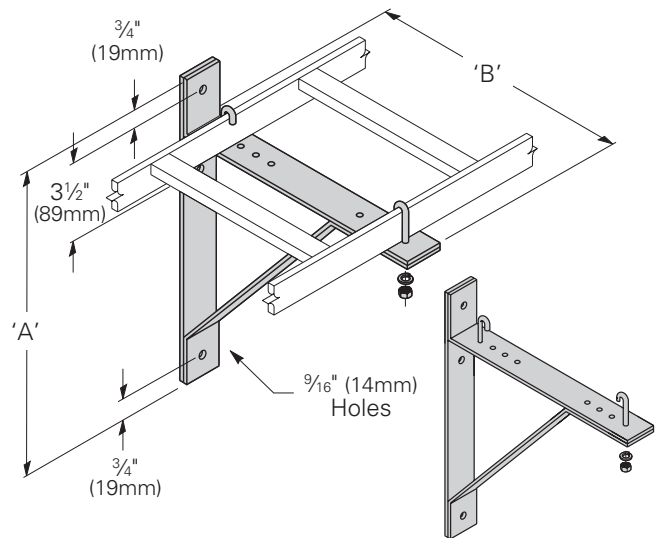


Part Number	Runway Height 'H'		Hole Size 'B'		Weight	
	In.	(mm)	In.	(mm)	Lbs.	(kg)
SB2106A	1 1/2"	(38)	7/16"	(11)	2.60	(1.18)
SB2106A2	2"	(51)	7/16"	(11)	2.64	(1.20)
SB2106B	1 1/2"	(38)	9/16"	(14)	2.60	(1.18)
SB2106B2	2"	(51)	9/16"	(14)	2.64	(1.20)

Specify part number and finish when ordering.

Triangular Runway Wall Support Kit

- Use to support cable runway from wall
- Sized for both 1 1/2" (38mm) & 2" (51mm) stringers
- Welded steel construction
- Designed for 6" (152mm), 9" (228mm) 12" (305mm), and 18" (457mm) cable runways
- Order anchors separately
- See SB214 for larger sizes
- Support width: 2" (51mm)
- Includes: (1) wall support, (2) "J" bolts, and $\frac{5}{16}$ "-18 hardware
- Material: ASTM A36 structural steel
- See page ii for link to OPM approvals
- Finish ___: Flat black powder coat (FB)
Telco gray powder coat (TG)
Yellow zinc (YZ)



Part Number Steel	Runway Width 'W'		'A'		'B'		Weight	
	In.	(mm)	In.	(mm)	In.	(mm)	Lbs.	(kg)
SB21306K	6"	(152)	10"	(254)	7 7/8"	(254)	3.8	(1.7)
SB21312K	6" - 12"	(152 - 305)	13 1/8"	(254)	13 3/8"	(292)	5.9	(2.7)
SB21318K	12" - 18"	(305 - 457)	19 1/8"	(254)	19 7/8"	(368)	8.8	(4.0)

Specify part number and finish when ordering.

Cable runway & accessories