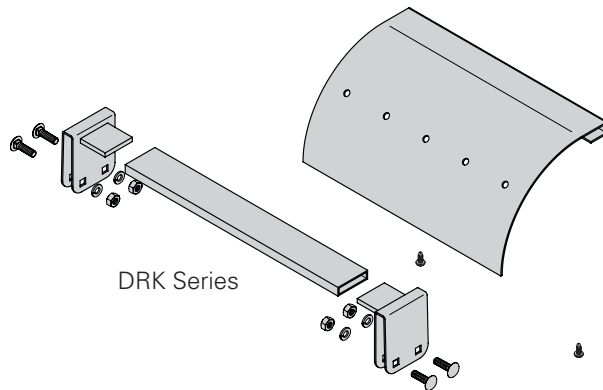
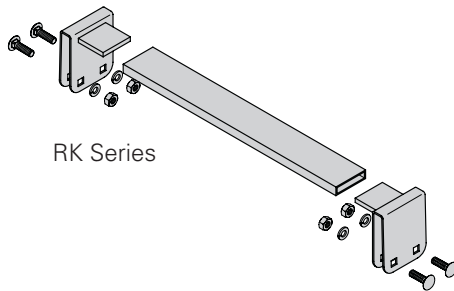
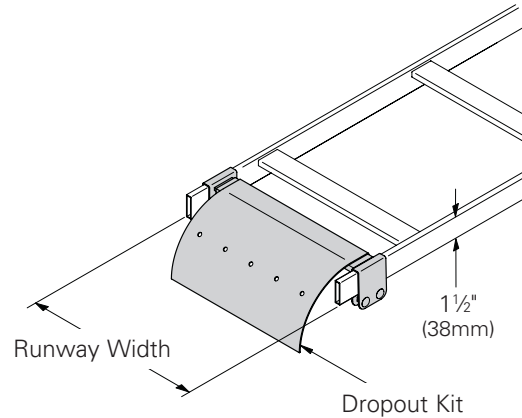


Cable Runway & Accessories

Rung Drop-Out Kit

- Used to insert an extra rung on existing runway sections to accommodate cable drops
- Attaches to 1½" (38mm) x ¾" (9mm) stringers
- Compatible with all 1½" (38mm) stringer runway styles
- SB17RK series rungs include: (1) rung, (2) rung clips, and assembly hardware
- SB17DRK series drop-out kits include: (1) rung, (2) rung clips, (1) runway dropout, and assembly hardware
- Steel construction
- Finish ____: Flat black powder coat (FB)
Telco gray powder coat (TG)
Yellow zinc (YZ)



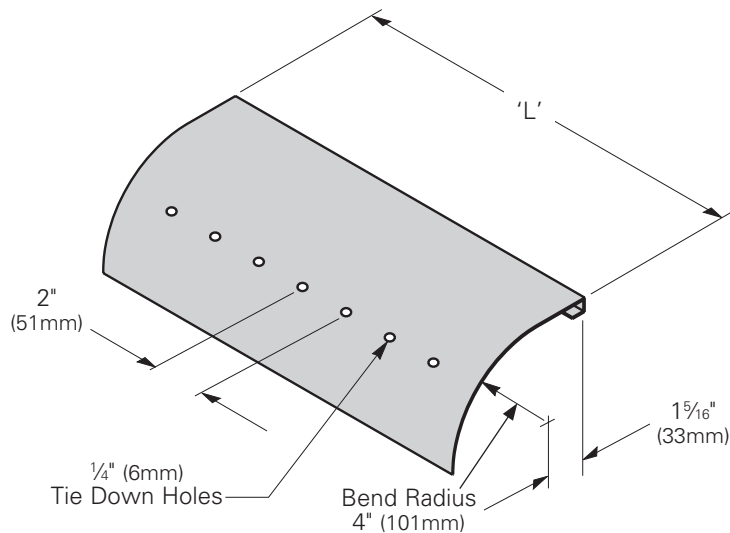
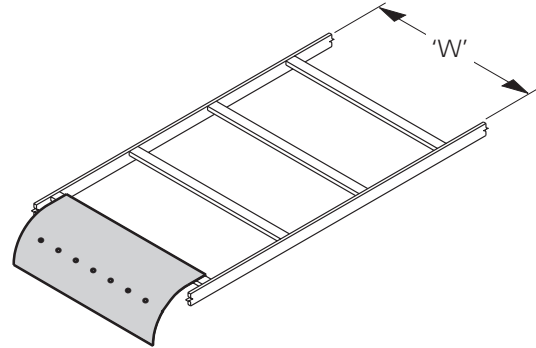
Part Number		Runway Width 'W'		Weight Each			
RK Series	DRK Series	In.	(mm)	RK Series		DRK Series	
				Lbs.	(kg)	Lbs.	(kg)
SB17RK05__	SB17DRK05__	5"	(127)	0.9	(0.41)	1.4	(0.63)
SB17RK06__	SB17DRK06__	6"	(152)	0.9	(0.41)	1.6	(0.72)
SB17RK09__	SB17DRK09__	9"	(228)	1.1	(0.50)	2.3	(1.04)
SB17RK12__	SB17DRK12__	12"	(305)	1.3	(0.59)	3.0	(1.36)
SB17RK15__	SB17DRK15__	15"	(381)	1.5	(0.68)	3.6	(1.63)
SB17RK18__	SB17DRK18__	18"	(457)	1.6	(0.72)	4.3	(1.93)
SB17RK20__	SB17DRK20__	20"	(508)	1.8	(0.81)	4.8	(2.17)
SB17RK24__	SB17DRK24__	24"	(609)	2.0	(0.91)	5.7	(2.58)
SB17RK30__	SB17DRK30__	30"	(762)	2.4	(1.09)	7.1	(3.22)
SB17RK36__	SB17DRK36__	36"	(914)	2.7	(1.22)	8.4	(3.81)

Specify part number and finish when ordering.

Cable Runway & Accessories

Steel Runway Drop-Out

- Use to provide a smooth radius for cable exit
- SB2129 Series fits channel or tube rungs $\frac{1}{2}$ " (13mm) x 1" (25mm)
- SB2129U Series fits rungs $\frac{3}{8}$ " (9mm) x $1\frac{1}{2}$ " (38mm)
- Cable tie down holes provided
- 4" (102mm) cable bend radius
- Includes: self-drilling screws
- Material: 18 Gauge (1.2mm) ASTM A569 steel
- Finish ____: Flat black powder coat (FB)
Telco gray powder coat (TG)
Yellow zinc (YZ)



Part Number		Dropout Width		Runway Width		Weight	
SB2129 Series	SB2129U Series	In.	(mm)	In.	(mm)	Lbs.	(kg)
SB212906__	SB2129U06__	4"	(101)	6"	(152)	0.7	(0.31)
SB212909__	SB2129U09__	7"	(178)	9"	(228)	1.2	(0.54)
SB212912__	SB2129U12__	10"	(254)	12"	(305)	1.7	(0.77)
SB212915__	SB2129U15__	13"	(330)	15"	(381)	2.2	(0.99)
SB212918__	SB2129U18__	16"	(406)	18"	(457)	2.7	(1.22)
SB212920__	SB2129U20__	18"	(457)	20"	(508)	3.0	(1.36)
SB212924__	SB2129U24__	22"	(559)	24"	(609)	3.7	(1.67)
SB212930__	SB2129U30__	28"	(711)	30"	(762)	4.7	(2.13)
SB212936__	SB2129U36__	34"	(863)	36"	(914)	5.7	(2.58)

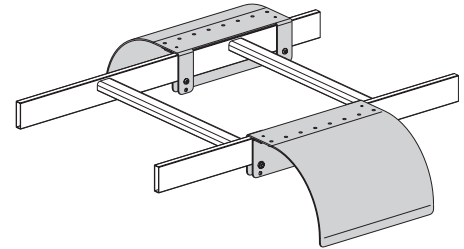
Specify part number and finish when ordering.

Cable Runway & Accessories

Side Drop-Out

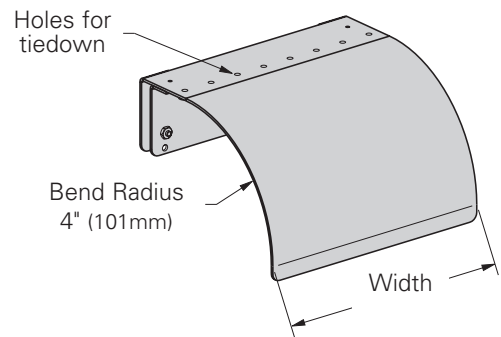
- Allows for cable to exit from side of cable runway stringer
- Provides a smooth radius for cable exit.
- Will fit either 3/8" (9mm) x 1 1/2" (38mm) or 2" (51mm) stringers
- Includes installation hardware
- Material: 14 ga. (1.9mm) ASTM A36 steel
- Finish ___: Flat black powder coat (FB)
Telco gray powder coat (TG)
Yellow zinc (YZ)

Installation Example



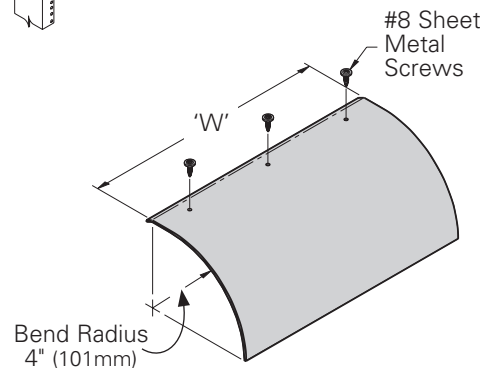
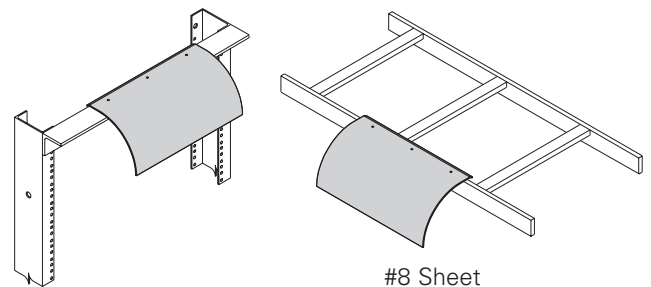
Part Number	Width		Weight	
	In.	(mm)	Lbs.	(kg)
SB2129SD06__	5"	(127)	1.8	(0.8)
SB2129SD09__	7 3/4"	(197)	1.8	(0.8)
SB2129SD12__	10 1/4"	(260)	2.0	(0.9)
SB2129SD18__	16 3/4"	(425)	3.9	(1.7)
SB2129SD24__	22 1/4"	(565)	5.1	(2.3)

Specify part number and finish when ordering.



Universal Drop-Out

- Drop-out can be used on both cable runway and relay racks
- Provides a smooth radius for cable exit.
- Attaches with sheet metal screws (included)
- Material: Aluminum
- Finish ___: Aluminum - brushed (AL)
Flat black powder coat (FB)
Telco gray powder coat (TG)



Part Number	'W'		# of Screws	Weight	
	In.	(mm)		Lbs.	(kg)
SB78706__	5.44	(138)	2	0.3	(0.13)
SB78712__	11.44	(290)	3	0.7	(0.32)
SB78718	17.44	(443)	4	1.1	(0.50)

Specify part number and finish when ordering.