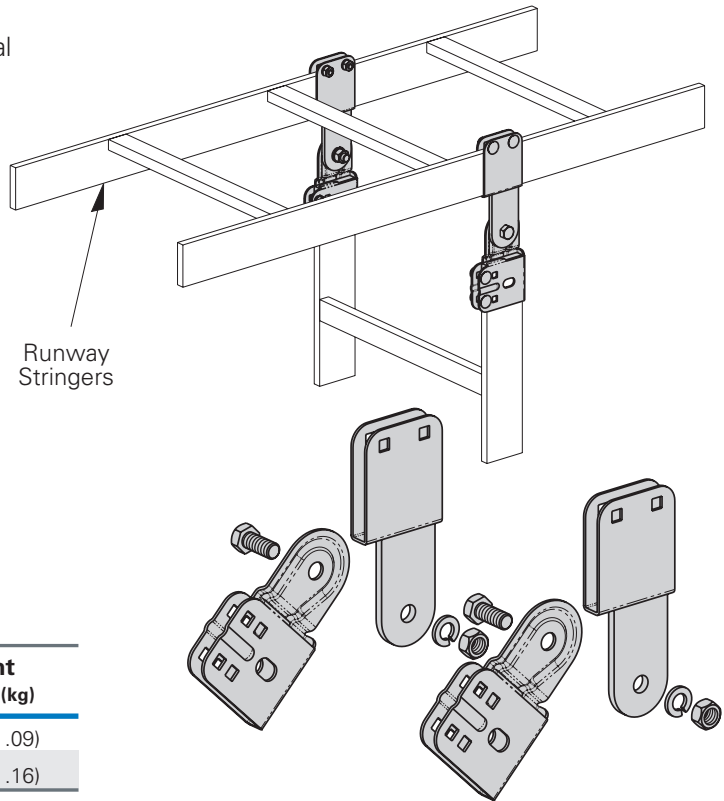


Adjustable Vertical Splice Kit

- Use to connect cable runway stringers in a vertical direction
- Adjusts 180°
- Includes: (2) splices and hardware
- Material: ASTM A570 structural steel
- UL Classified - file number E60548
- Finish ____: Black zinc (BZ)
Yellow zinc (YZ)

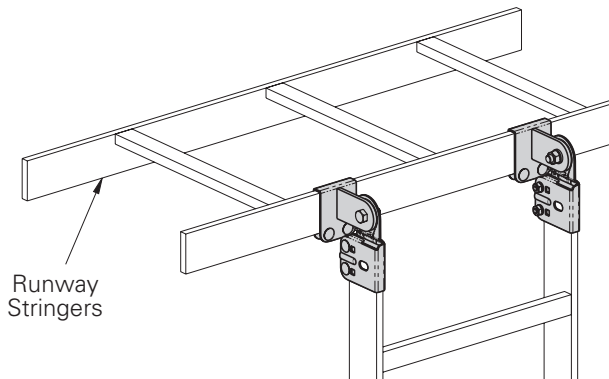


Part Number	Runway Height		Weight	
	In.	(mm)	Lbs.	(kg)
SB2111A__	1½"	(38)	2.40	(1.09)
SB2111A2__	2"	(51)	2.56	(1.16)

Specify part number and finish when ordering.

Adjustable Junction Splice Kit

- Use to connect one cable runway to the side of another cable runway
- Adjusts 270°
- Includes: (2) splices and hardware
- Material: ASTM A570 structural steel
- UL Classified - file number E60548
- Finish ____: Black zinc (BZ)
Yellow zinc (YZ)



Part Number	Runway Height		Weight	
	In.	(mm)	Lbs.	(kg)
SB2111B__	1½"	(38)	2.40	(1.09)
SB2111B2__	2"	(51)	2.56	(1.16)

Specify part number and finish when ordering.