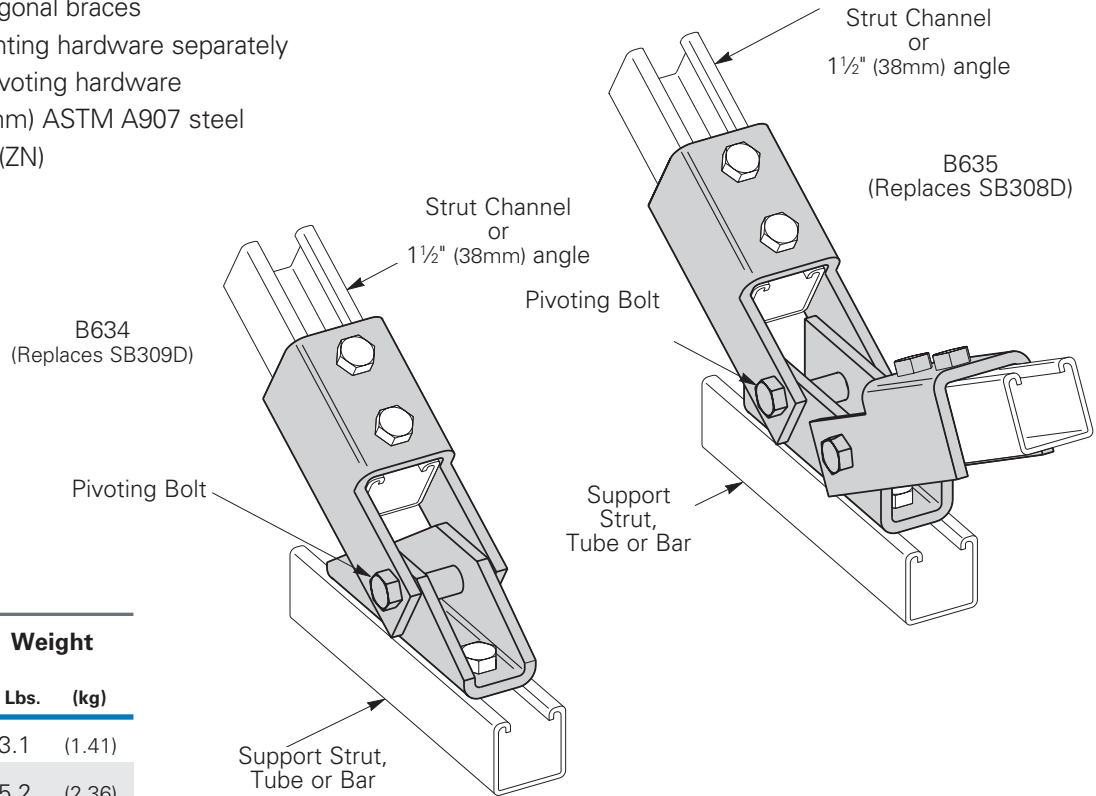


Auxillary Supports & Accessories

Adjustable Single & Double Diagonal Channel Brace Kit

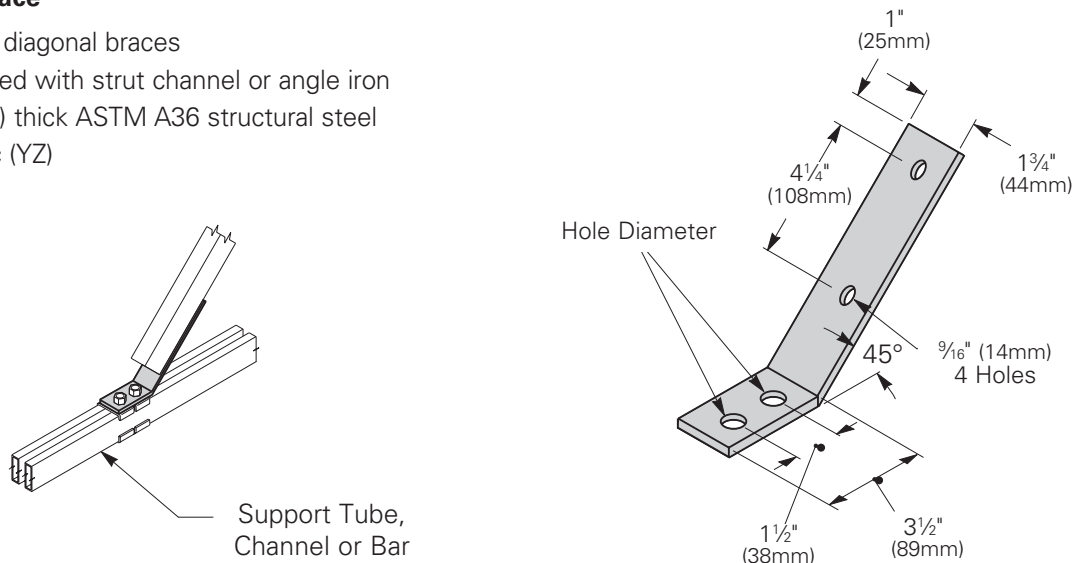
- Use to secure diagonal braces
- Order 1/2"-13 mounting hardware separately
- Includes: 1/2"-13 pivoting hardware
- Material: 1/4" (6.3mm) ASTM A907 steel
- Finish: Clear Zinc (ZN)



Part Number	Weight	
	Lbs.	(kg)
B634	3.1	(1.41)
B635	5.2	(2.36)

Single Diagonal Brace

- Use to secure 45° diagonal braces
- Designed to be used with strut channel or angle iron
- Material: 3/8" (9mm) thick ASTM A36 structural steel
- Finish: Yellow Zinc (YZ)

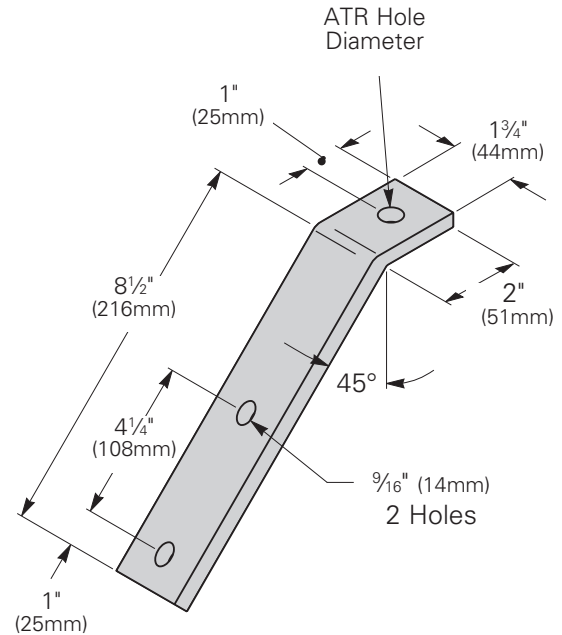
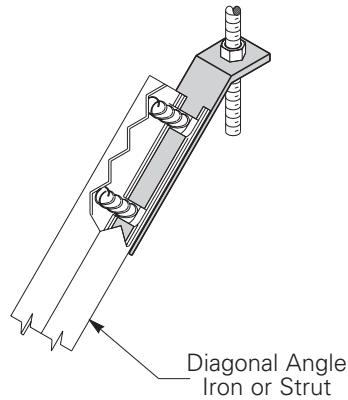


Part Number	Hole Diameter		Weight	
	In.	(mm)	Lbs.	(kg)
SB307A	9/16"	(14)	2.1	(.95)
SB307B	11/16"	(17)	2.1	(.95)

Auxillary Supports & Accessories

Single Diagonal Brace

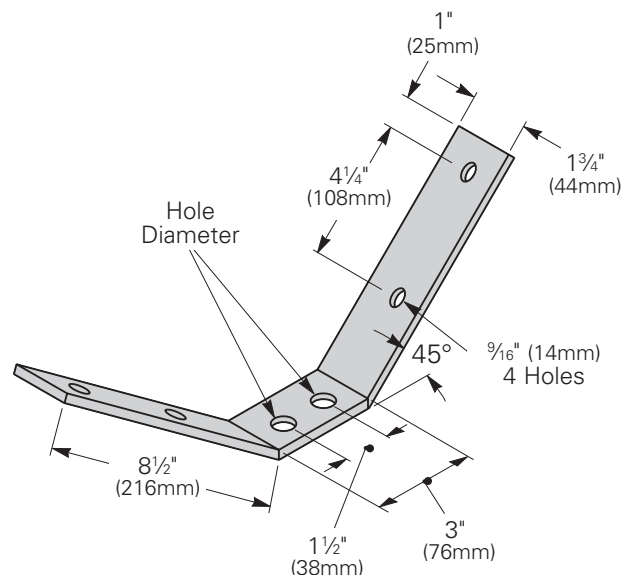
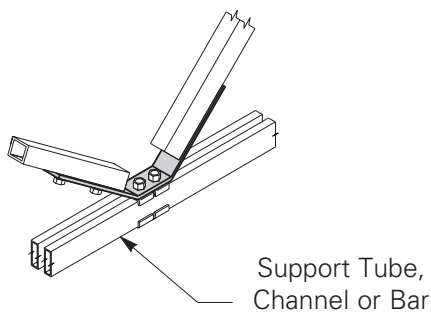
- Use to secure 45° diagonal braces
- Designed to be used with strut channel or angle iron
- See SB-2306 series for kits
- Material: 3/8" (9mm) thick ASTM A36 structural steel
- Finish: Yellow Zinc (YZ)



Part Number	ATR Size	Hole Diameter		Weight	
		In.	(mm)	Lbs.	(kg)
SB309A	1/2"-13	9/16"	(14)	1.84	(.83)
SB309B	5/8"-11	11/16"	(17)	1.84	(.83)

Double Diagonal Brace

- Use to secure 45° diagonal braces
- Designed to be used with strut channel or angle iron
- See SB2308 series for kits
- Material: 3/8" (9mm) thick ASTM A36 structural steel
- Finish: Yellow Zinc (YZ)

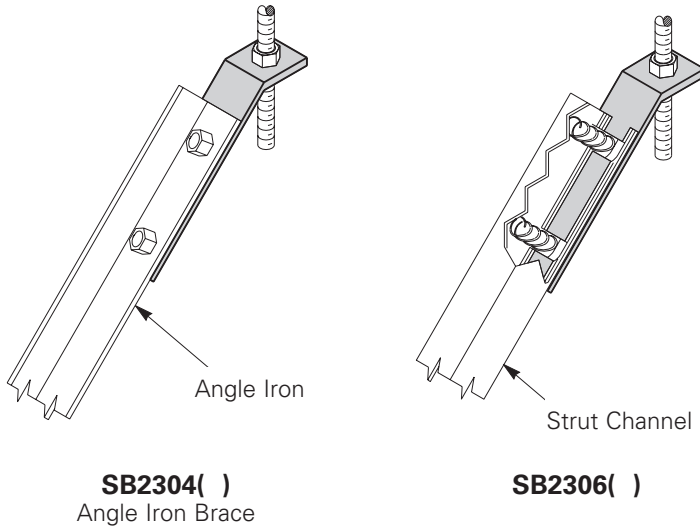


Part Number	Hole Diameter		Weight	
	In.	(mm)	Lbs.	(kg)
SB308A	9/16"	(14)	3.5	(1.59)
SB308B	11/16"	(17)	3.5	(1.59)

Auxillary Supports & Accessories

Diagonal Brace Kit

- Use to secure 45° diagonal brace
- Designed to be used with strut channel or angle iron
- Material: ASTM A36 structural steel
- Finish: Yellow Zinc (YZ)

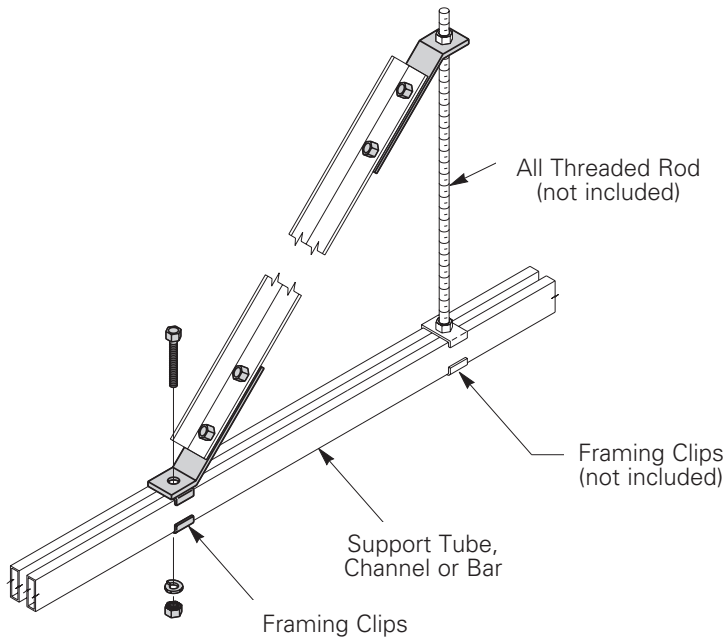


SB2304A includes
 (2) single brace fittings
 (2) framing clips
 (4) 1/2"-13 HHCS, LW, HN
 (1) 5/8"-11 HHCS, LW, HN

SB2304B includes
 (2) single brace fittings
 (2) framing clips
 (4) 1/2"-13 HHCS, LW, HN
 (1) 5/8"-11 HHCS, LW, HN

SB2306A includes
 (2) single brace fittings
 (2) framing clips
 (4) 1/2"-13 HHCS, LW, channel nuts
 (1) 5/8"-11 HHCS, LW, HN

SB2306B includes
 (2) single brace fittings
 (2) framing clips
 (4) 1/2"-13 HHCS, LW, channel nuts
 (1) 5/8"-11 HHCS, LW, HN



Part Number	Support Structure Type		Weight	
	in.	(mm)	Lbs.	(kg)
SB2304A	2" x 9/16"	(51 x 14)	4.9	(2.22)
SB2304B	2" x 3/8"	(51 x 9)	4.9	(2.22)
SB2306A	2" x 9/16"	(51 x 14)	5.6	(2.54)
SB2306B	2" x 3/8"	(51 x 9)	5.5	(2.49)

Auxillary Supports & Accessories

Double Diagonal Brace Kit

- Use to secure 45° diagonal brace
- Designed to be used with strut channel or angle iron
- Material: ASTM A36 structural steel
- Finish: Yellow Zinc (YZ)

SB2307A includes

- (1) double brace fitting
- (2) single brace fittings
- (4) framing clips
- (8) 1/2"-13 HHCS, LW, HN
- (2) 5/8"-11 HHCS, LW, HN

SB2307B includes

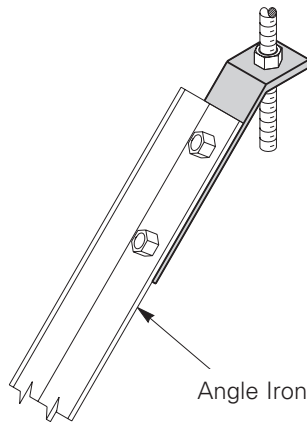
- (1) double brace fitting
- (2) single brace fittings
- (4) framing clips
- (8) 1/2"-13 HHCS, LW, HN
- (2) 5/8"-11 HHCS, LW, HN

SB2308A includes

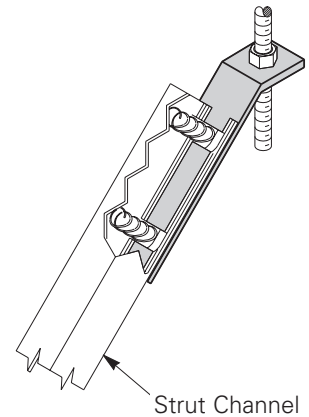
- (1) double brace fitting
- (2) single brace fittings
- (4) framing clips
- (8) 1/2"-13 HHCS, LW, channel nuts
- (2) 5/8"-11 HHCS, LW, HN

SB2308B includes

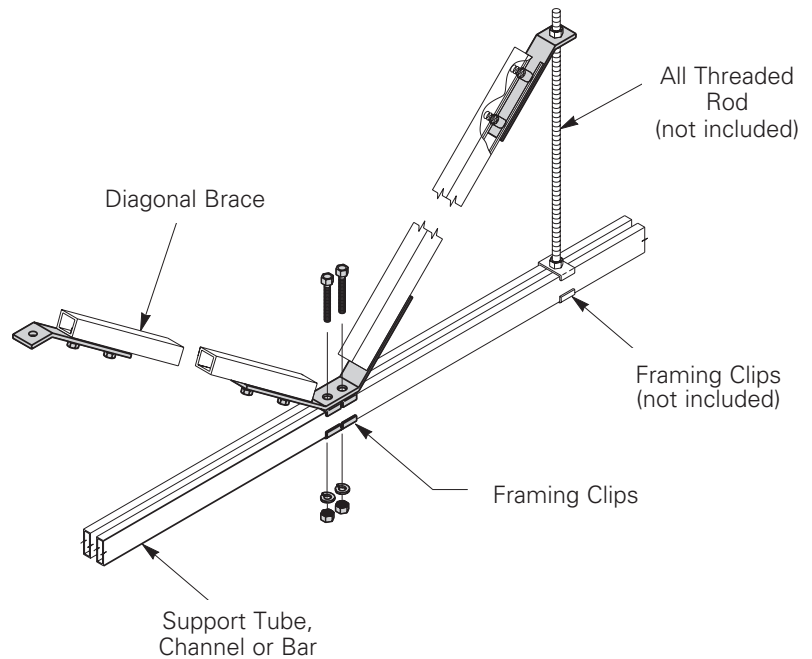
- (1) double brace fitting
- (2) single brace fittings
- (4) framing clips
- (8) 1/2"-13 HHCS, LW, channel nuts
- (2) 5/8"-11 HHCS, LW, HN



SB2307()



SB2308()
Strut Channel Brace



Part Number	Support Structure Type		Weight	
	in.	(mm)	Lbs.	(kg)
SB2307A	2" x 9/16"	(51 x 14)	9.7	(4.40)
SB2307B	2" x 3/8"	(51 x 9)	9.6	(4.35)
SB2308A	2" x 9/16"	(51 x 14)	9.7	(4.40)
SB2308B	2" x 3/8"	(51 x 9)	9.6	(4.35)