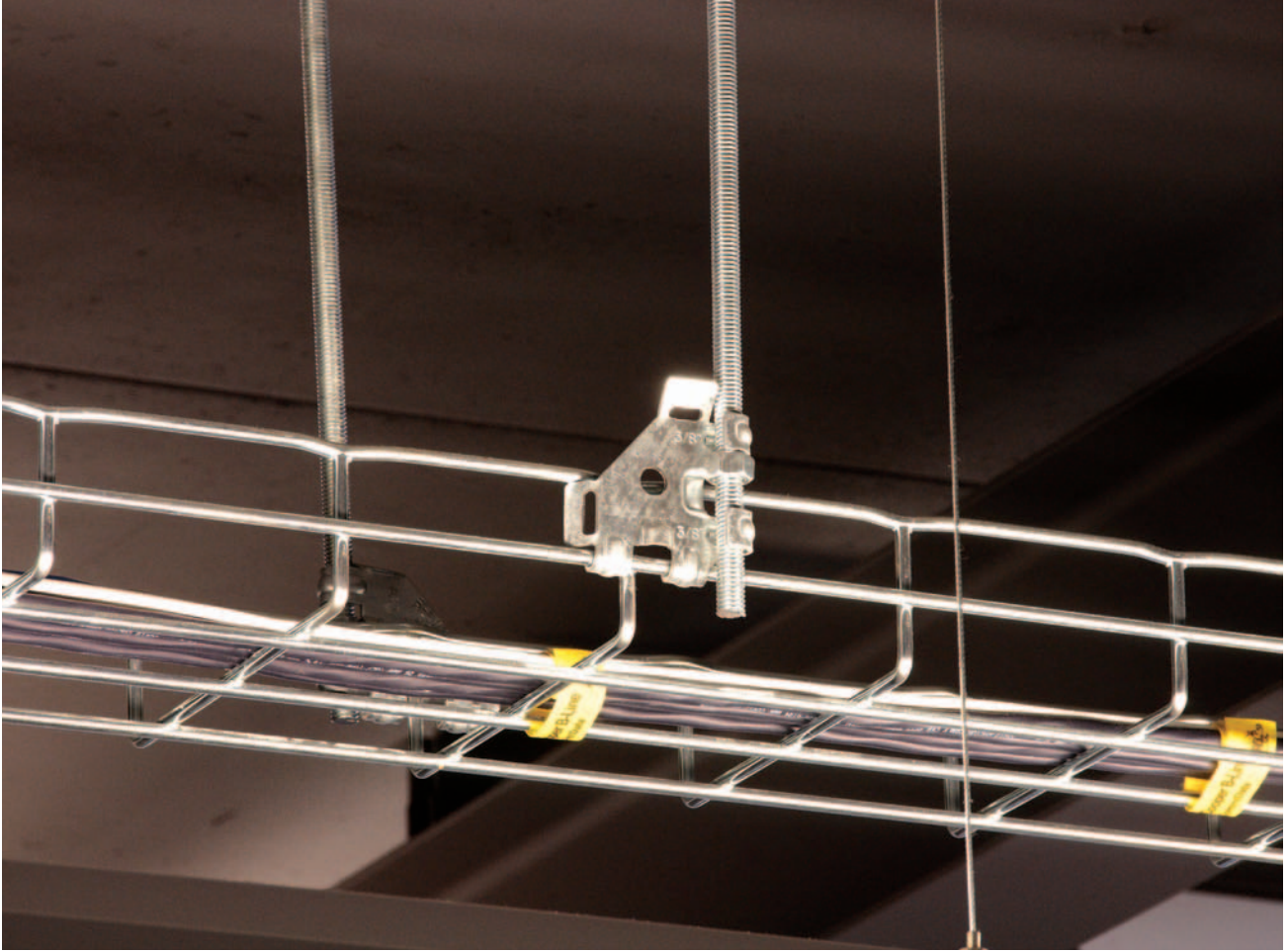


# Flextray™ - Ceiling Support Methods

Ceiling Supports

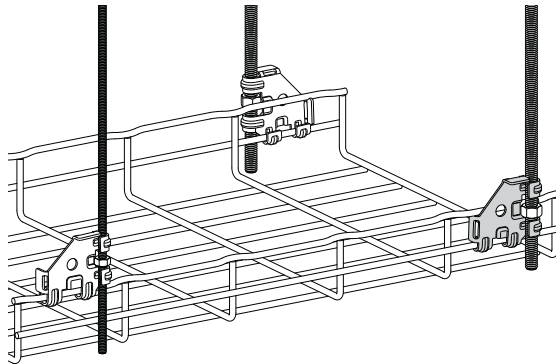


## Flip Clip™

- Accommodates 1/4" and 3/8" rod sizes
- Installs quickly with a screwdriver or pliers thus reducing installation time
- Requires only one hex nut (not included) to hang and level the Flextray
- Retainer tabs can be bent over to lock-in the threaded rod and wire basket
- Finishes \_\_: **ZN**, FB, SS6

Part Number	Description	Qty./Box	Wt./Box	
			lbs.	kg
<b>WB46H__</b>	Flip Clip	50	5.2	2.36

Snap retainer stops in place after cable is loaded.

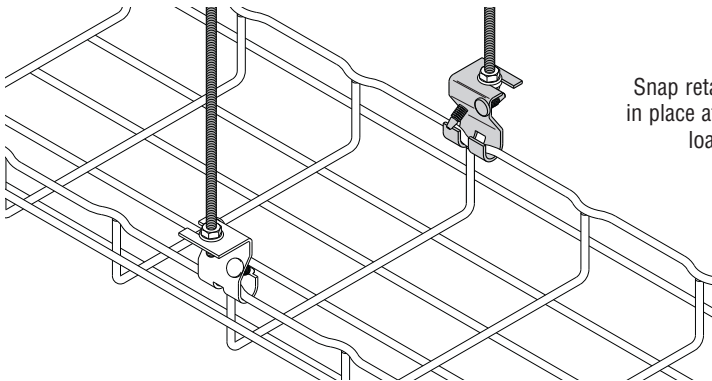


## Trapeze Support

- Trapeze Clip installs fast
- For use with trays up to 4" (100mm) deep, 12" (300mm) wide, and spans up to 8'-0" (2.44m)
- Tray can be released from support to allow side cable loading
- Accepts 1/4" and 3/8" threaded rod sizes
- Finishes \_\_: **GS**, BLE

Part Number	Description	Qty./Box	Wt./Box	
			lbs.	kg
<b>TRAPEZE SUPT2__</b>	Trapeze Support Clip	50 trapeze clips 100 retainer stops	7.0	3.17

Snap retainer stops in place after cable is loaded.



See page 2 for finish information

# Flextray™ - Ceiling Support Methods

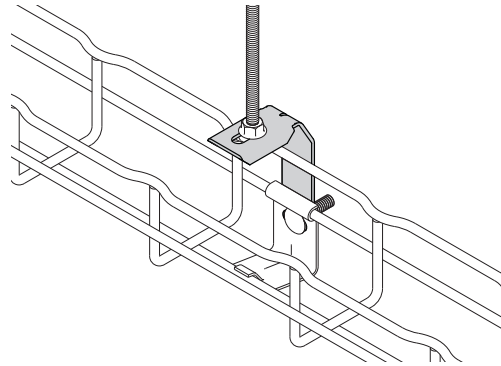
## 2" Center Hanger

Part Number	Description	Qty./Box	Wt./Box	
			lbs.	kg
2 IN CTR SUPT__	Center Support Hanger for FT2x2	50	5.0	2.27

- For use with 2" (50mm) tray widths only
- Accepts 1/4" threaded rod
- Hardware sold separately
- Finishes \_\_: **GS**, BLE



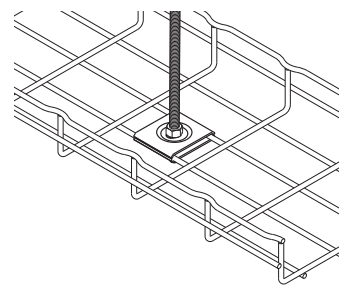
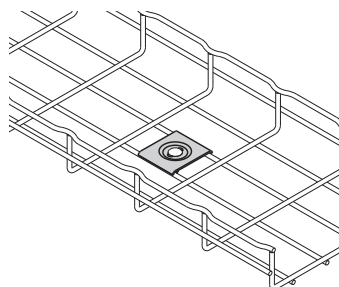
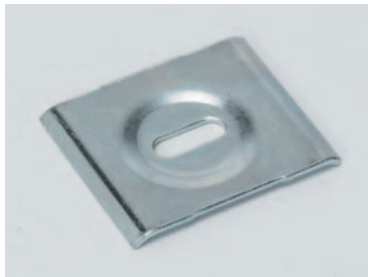
Assemble with ATTACHMENT CLP & FTHDWE 1/4 hardware.



## Hold Down Plate

Part Number	Slot Size	Qty./Box	Wt./Box	
			lbs.	kg
SUPT WASHER__	.28" x .70"	50	4.7	2.13
FTA6HD__	.40" x .70"	50	3.5	1.59

- Easy way to mount 4" (100mm) wide tray for raceway run.
- Use 1/4" screws to attach SUPT WASHER to your specific wall/stud application (hardware sold separately).
- FTA6HD can be used in pairs to create a center-hung support using 3/8" rod.
- To protect cables use threaded rod protector (page 21).
- To complete 3/8" center hanger assembly use:
  - 2 - FTA6HD
  - 2 - HN 3/8"-16 hex nuts
- Finish: **ZN**, SS6

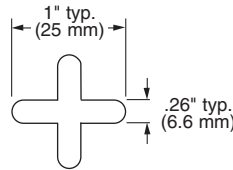
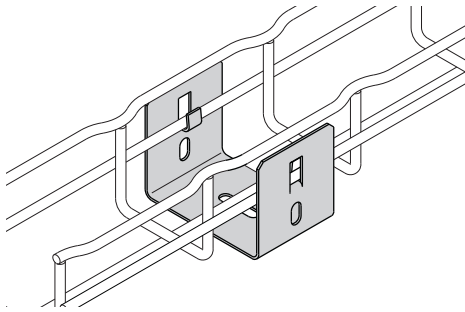


See page - 2 for finish information

## Mounting Bracket

- Designed to support FT2X2X10 Flextray
- Click tabs for Flextray attachment
- Use 1/4" hardware and washer (not included) to mount bracket
- Finishes \_\_: **SS6**

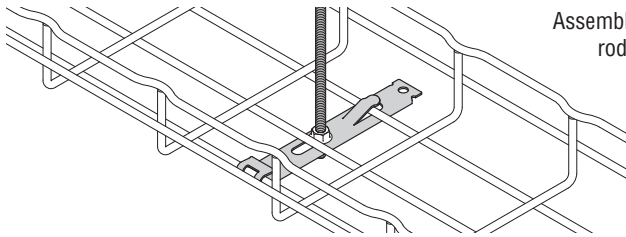
Part Number	Description	Qty./Box	Wt./Box	
			lbs.	kg
<b>FTB2UB__</b>	Light Duty Wall/Rack Bracket	10	2.1	0.95



## Center Hung Clip

- Use for light duty cabling applications
- For use with 1 1/2" (38mm) & 2" (51mm) deep tray with 4" (100mm) and 6" (150mm) widths
- Built-in hold down tab
- Accepts 1/4" threaded rod
- Threaded rod and nuts sold separately
- Finishes \_\_: **GS**, BLE

Part Number	Description	Qty./Box	Wt./Box	
			lbs.	kg
<b>CTR HUNG CLP__</b>	Light Duty Center Hanger	50	4.0	1.81



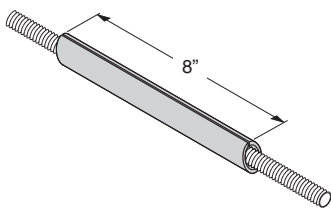
Assemble with 1/4" threaded rod and finned nut



## Threaded Rod Protector

- Use to protect cables from 1/4" to 1/2" threaded rod
- PVC UL94V-0 material
- Color: Gray

Part Number	Description	Qty./Box	Wt./Box	
			lbs.	kg
<b>SB301-1/2x8__</b>	Rod Protector	1	0.01	0.004

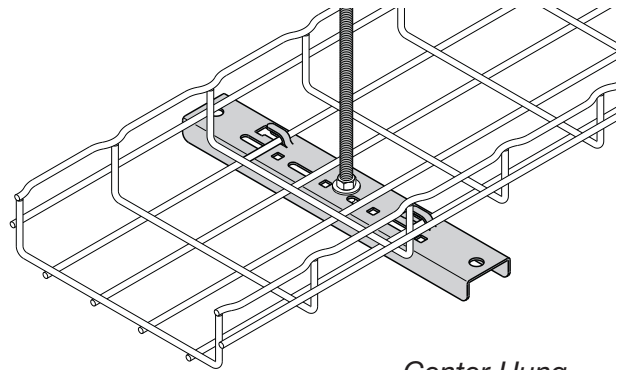


See page - 2 for finish information

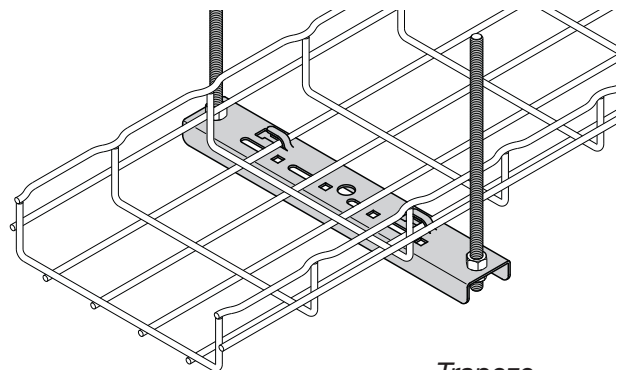
## Center Trapeze Hanger

Part Number	Maximum Tray Width		Actual Length		Wt./Pc.	
	in.	mm	in.	mm	lbs.	kg
<b>FTB06CT</b>	6"	150	9.78"	248	0.61	0.27
<b>FTB08CT</b>	8"	200	11.75"	298	0.74	0.33
<b>FTB12CT</b>	12"	300	15.69"	398	0.98	0.44
<b>FTB16CT</b>	16"	400	19.63"	498	1.61	0.73
<b>FTB18CT</b>	18"	450	21.59"	548	1.77	0.80
<b>FTB20CT</b>	20"	500	23.56"	598	1.93	0.87
<b>FTB24CT</b>	24"	600	27.50"	698	2.25	1.02

- Can be installed as center-hung or traditional trapeze hanger
- Multiple options to secure Flextray to hanger
  - Built in hold down tabs (use screwdriver to bend down tab)
  - Compatible with TOOLLESS CLIP with snap-in locking pin
  - Compatible with WBUHD hold down clip when tray crosswire is aligned over top of hanger
  - Slots and holes for optional hardware attachment
- Corrosion resistant pre-galvanized zinc finish (other finishes available upon request)
- Center hole for up to 1/2" rod
- Hole on each end for up to 3/8" rod
- Threaded rod protector available (SB301-1/2 x 8)



Center Hung



Trapeze

See page - 2 for finish information

## KwikWire™ Clamps & Wire Rope

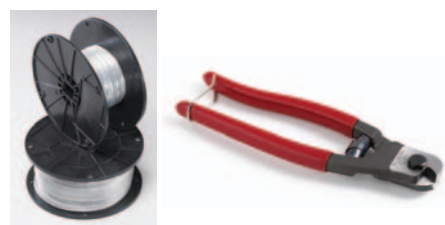


- KwikWire system replaces jack chain or ATR to support lighting, ductwork, and Flextray.
- Can be quickly installed around beams - No drilling required.
- Ideal for sloped ceilings - can hang objects at up to 60° angles.
- Simple height adjustments are made by releasing locking tab, no tools required.
- Spools of wire can be cut to length in field, reducing waste and up front planning.

Part Number	Clamp Description For Use With Rope Diameter	Qty./Box
<b>BKC100</b>	1/32", 1/16" & 3/32"	100
<b>BKC200</b>	3/32", 1/8" & 3/16"	50



Part Number	Rope Diameter - Working Load	Qty./Spool
<b>BKW063 (1)</b>	1/16" - 96 lbs.	500 ft.
<b>BKW094 (1)</b>	3/32" - 184 lbs.	500 ft.
<b>BKW125 (1)</b>	1/8" - 340 lbs.	500 ft.
<b>BKW188 (2)</b>	3/16" - 840 lbs.	250 ft.
<b>BKCC</b>	Wire Rope Cutter	1



Wire Rope Construction



(1) 7 x 7



(2) 7 x 19

### KwikWire™ Clamp Working Loads\*

Clamp Part No.	Wire Rope Dia.	Lbs. Safety Factor 5
BKC100	1/32"	0-22
BKC100	1/16"	0-75
BKC100	3/32"	25-150
BKC200	3/32"	25-150
BKC200	1/8"	25-250
BKC200	3/16"	50-640

\* Working loads shown are for hanging vertically. For suspending at 15°, 30°, 45° or 60° angles from vertical, use the following percentage of the working loads from the chart:

15° = 96%  
 30° = 86%  
 45° = 70%  
 60° = 50%

## KwikWire™ Cable Assemblies



- New KwikWire “Y” Cable Assemblies will simplify the installation of light fixtures and cable tray.
- “Y” Cables enable a single suspension point to provide two securement points.
- “Y” legs are 18” in length.
- “Y” Cable Assembly Kits include two (2) 10’-0” long cable assemblies and two (2) KwikWire clamps.
- Add-on cable assemblies can be field installed on KwikWire systems.



Part Number	Description	Qty./Box
<b>BKYC-094</b>	Carabiner	20
<b>BKYC-094-120K</b>	Carabiner	10



## KwikWire™ Starter Kit

- Starter Kit includes everything you need to get the job done.
- Kits are packaged in a 5-gallon bucket for easy transportation. The lid includes a built-in cable counter to simplify measuring and cutting the wire rope to length.
- Starter Kit includes KwikWire clamps, a spool of wire rope, and a cable cutter.



Part Number	Kit Includes - Working Load	Qty./Box
<b>BKS10063</b>	BKC100 (100 pcs.), Cable Cutter 1/16"Ø Wire Rope (500 ft.)	1
<b>BKS10094</b>	BKC100 (100 pcs.), Cable Cutter 3/32"Ø Wire Rope (500 ft.)	1
<b>BKS15094</b>	BKC150 (100 pcs.), Cable Cutter 3/32"Ø Wire Rope (500 ft.)	1
<b>BKS15125</b>	BKC150 (100 pcs.), Cable Cutter 1/8"Ø Wire Rope (500 ft.)	1
<b>BKS20125</b>	BKC200 (50 pcs.), Cable Cutter 1/8"Ø Wire Rope (500 ft.)	1
<b>BKS20188</b>	BKC200 (50 pcs.), Cable Cutter 3/16"Ø Wire Rope (250 ft.)	1



## KwikPak™ Wire Rope & Clamps

**KwikPak™ makes handling KwikWire™ a breeze!**

- Refill your starter kit with a B-Line KwikPak™.
- KwikPaks include KwikWire clamps and a spool of wire rope.
- KwikPaks are shipped in a specially designed dispenser box to ease field cutting of wire.



Part Number	Kit Includes - Working Load	Qty./Box
<b>BKP10063</b>	BKC100 (100 pcs.), Cable Cutter 1/16"Ø Wire Rope (500 ft.)	1
<b>BKP10094</b>	BKC100 (100 pcs.), Cable Cutter 3/32"Ø Wire Rope (500 ft.)	1
<b>BKP15094</b>	BKC150 (100 pcs.), Cable Cutter 3/32"Ø Wire Rope (500 ft.)	1
<b>BKP15125</b>	BKC150 (100 pcs.), Cable Cutter 1/8"Ø Wire Rope (500 ft.)	1
<b>BKP20125</b>	BKC200 (50 pcs.), Cable Cutter 1/8"Ø Wire Rope (500 ft.)	1
<b>BKP20188</b>	BKC200 (50 pcs.), Cable Cutter 3/16"Ø Wire Rope (250 ft.)	1