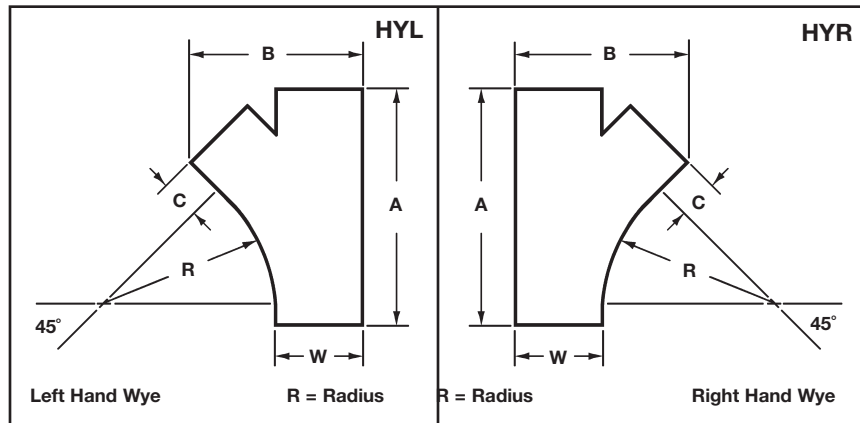
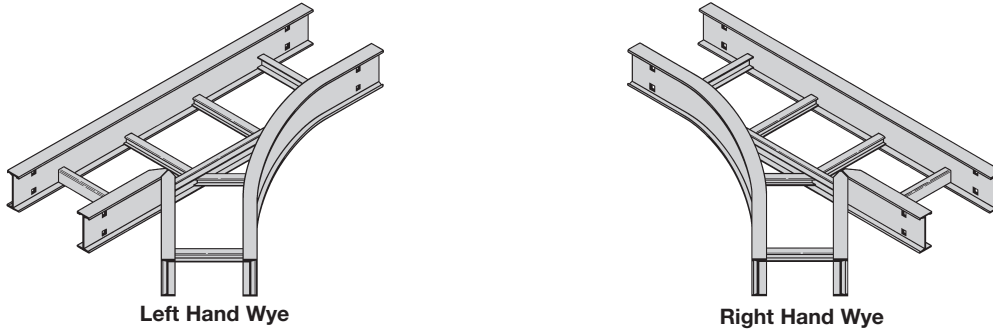


# Series 2, 3, 4, & 5 - Fittings

## Horizontal Wye (HYL, HYR)

2 pair splice plates with hardware included.



Bend Radius	Tray Width		Left Hand Wye Catalog No.	Right Hand Wye Catalog No.	A		B		C		
	in.	mm			in.	mm	in.	mm	in.	mm	
24	609	6	152	(Prefix)-06-HYL	(Prefix)-06-HYR	28 <sup>7</sup> / <sub>16</sub>	722	15 <sup>3</sup> / <sub>16</sub>	386	3 <sup>1</sup> / <sub>16</sub>	77
		9	228	(Prefix)-09-HYL	(Prefix)-09-HYR	32 <sup>11</sup> / <sub>16</sub>	831	20 <sup>5</sup> / <sub>16</sub>	516	6 <sup>1</sup> / <sub>16</sub>	154
		12	305	(Prefix)-12-HYL	(Prefix)-12-HYR	36 <sup>15</sup> / <sub>16</sub>	938	25 <sup>7</sup> / <sub>16</sub>	646	9 <sup>1</sup> / <sub>16</sub>	231
		18	457	(Prefix)-18-HYL	(Prefix)-18-HYR	45 <sup>3</sup> / <sub>8</sub>	1153	35 <sup>13</sup> / <sub>16</sub>	910	15 <sup>1</sup> / <sub>16</sub>	383
		24	609	(Prefix)-24-HYL	(Prefix)-24-HYR	53 <sup>7</sup> / <sub>8</sub>	1368	45 <sup>15</sup> / <sub>16</sub>	1167	21 <sup>1</sup> / <sub>16</sub>	535
		30	762	(Prefix)-30-HYL	(Prefix)-30-HYR	62 <sup>3</sup> / <sub>8</sub>	1585	56 <sup>3</sup> / <sub>16</sub>	1427	27 <sup>1</sup> / <sub>16</sub>	688
		36	914	(Prefix)-36-HYL	(Prefix)-36-HYR	70 <sup>7</sup> / <sub>8</sub>	1800	66 <sup>7</sup> / <sub>16</sub>	1687	33 <sup>1</sup> / <sub>16</sub>	993
42	1067	(Prefix)-42-HYL	(Prefix)-42-HYR	79 <sup>3</sup> / <sub>8</sub>	2016	76 <sup>5</sup> / <sub>8</sub>	1946	39 <sup>1</sup> / <sub>16</sub>	992		

(Prefix) See page 288 for catalog number prefix.

All dimensions in parentheses are millimeters unless otherwise specified.

Width dimensions are to inside wall. For aluminum fittings add 1.5 inches for total outside width. Manufacturing tolerances apply to all dimensions.