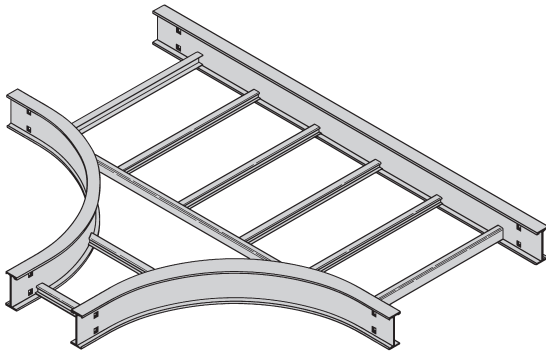


Series 2, 3, 4, & 5 - Fittings

Horizontal Reducing Tee (HT)

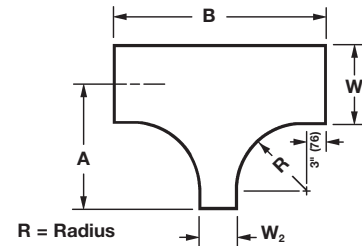
2 pair splice plates with hardware included.



Prefix - 36 - 18 HT 24

Radius
Fitting
Width W₂
Width W₁

To complete catalog number, insert fitting prefix.



HT

Series 2, 3, 4, & 5 Fittings

Tray Width				* Insert Radius (12", 24", 36", or 48") Catalog No.	12" Radius				24" Radius				36" Radius				48" Radius			
W ₁		W ₂			A		B		A		B		A		B		A		B	
in.	mm	in.	mm	in.	mm	in.	mm	in.	mm	in.	mm	in.	mm	in.	mm	in.	mm	in.	mm	
9	228	6	152	(Prefix)-09-06-HT*	19 ¹ / ₂	496	36	914	31 ¹ / ₂	800	60	1524	43	1092	84	2134	55 ¹ / ₂	1410	108	2743
12	305	6	152	(Prefix)-12-06-HT*	21	533	36	914	33	838	60	1524	45	1143	84	2134	57	1448	108	2743
		9	228	(Prefix)-12-09-HT*	21	533	39	991	33	838	63	1600	45	1143	87	2210	57	1448	111	2819
18	475	6	152	(Prefix)-18-06-HT*	24	609	36	914	36	914	60	1524	48	1219	84	2134	60	1524	108	2743
		9	228	(Prefix)-18-09-HT*	24	609	39	991	36	914	63	1600	48	1219	87	2210	60	1524	111	2819
		12	305	(Prefix)-18-12-HT*	24	609	42	1067	36	914	66	1676	48	1219	90	2286	60	1524	114	2496
24	609	6	152	(Prefix)-24-06-HT*	27	686	36	914	39	991	60	1524	51	1295	84	2134	63	1600	108	2743
		9	228	(Prefix)-24-09-HT*	27	686	39	991	39	991	63	1600	51	1295	87	2210	63	1600	111	2819
		12	305	(Prefix)-24-12-HT*	27	686	42	1067	39	991	66	1676	51	1295	90	2286	63	1600	114	2496
30	762	18	457	(Prefix)-24-18-HT*	27	686	48	1219	39	991	72	1829	51	1295	96	2438	63	1600	120	3048
		6	152	(Prefix)-30-06-HT*	30	762	36	914	42	1067	60	1524	54	1372	84	2134	66	1676	108	2743
		9	228	(Prefix)-30-09-HT*	30	762	39	991	42	1067	63	1600	54	1372	87	2210	66	1676	111	2819
		12	305	(Prefix)-30-12-HT*	30	762	42	1067	42	1067	66	1676	54	1372	90	2286	66	1676	114	2496
36	914	18	457	(Prefix)-30-18-HT*	30	762	48	1219	42	1067	72	1829	54	1372	96	2438	66	1676	120	3048
		24	609	(Prefix)-30-24-HT*	30	762	54	1372	42	1067	78	1981	54	1372	102	2591	66	1676	126	3200
		6	152	(Prefix)-36-06-HT*	33	838	36	914	45	1143	60	1524	57	1448	84	2134	69	1753	108	2743
		9	228	(Prefix)-36-09-HT*	33	838	39	991	45	1143	63	1600	57	1448	87	2210	69	1753	111	2819
		12	305	(Prefix)-36-12-HT*	33	838	42	1067	45	1143	66	1676	57	1448	90	2286	69	1753	114	2496
42	1067	18	457	(Prefix)-36-18-HT*	33	838	48	1219	45	1143	72	1829	57	1448	96	2438	69	1753	120	3048
		24	609	(Prefix)-36-24-HT*	33	838	54	1372	45	1143	78	1981	57	1448	102	2591	69	1753	126	3200
		30	762	(Prefix)-36-30-HT*	33	838	60	1524	45	1143	84	2134	57	1448	108	2743	69	1753	132	3353
		6	152	(Prefix)-42-06-HT*	36	914	36	914	48	1219	60	1524	60	1524	84	2134	72	1829	108	2743
		9	228	(Prefix)-42-09-HT*	36	914	39	991	48	1219	63	1600	60	1524	87	2210	72	1829	111	2819
		12	305	(Prefix)-42-12-HT*	36	914	42	1067	48	1219	66	1676	60	1524	90	2286	72	1829	114	2496
		18	457	(Prefix)-42-18-HT*	36	914	48	1219	48	1219	72	1829	60	1524	96	2438	72	1829	120	3048
24	609	(Prefix)-42-24-HT*	36	914	54	1372	48	1219	78	1981	60	1524	102	2591	72	1829	126	3200		
30	762	(Prefix)-42-30-HT*	36	914	60	1524	48	1219	84	2134	60	1524	108	2743	72	1829	132	3353		
36	914	(Prefix)-42-36-HT*	36	914	66	1676	48	1219	90	2286	60	1524	114	2895	72	1829	138	3505		

(Prefix) See page 288 for catalog number prefix.

All dimensions in parentheses are millimeters unless otherwise specified.

Width dimensions are to inside wall. For aluminum fittings add 1.5 inches for total outside width.

Manufacturing tolerances apply to all dimensions.