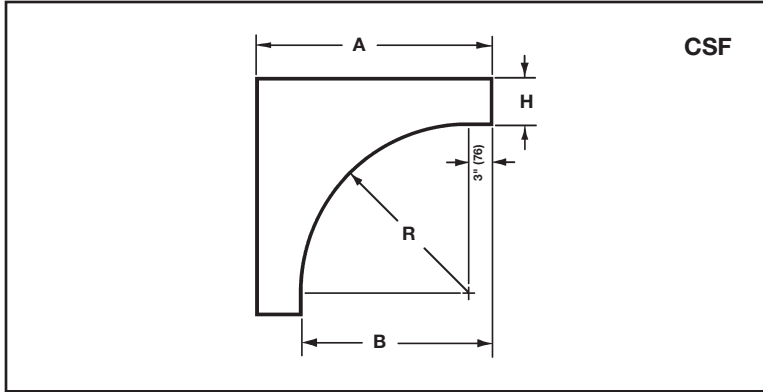
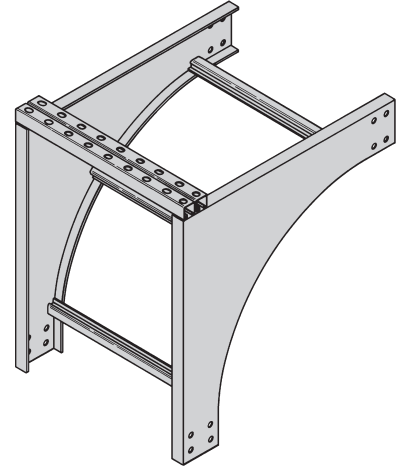


# Series 2, 3, 4, & 5 - Fittings

## Cable Support Fittings (CSF)

1 pair splice plates with hardware included.



This fitting is recommended for use at the top of vertical runs to support the weight of the cables. The top cross brace is drilled for installing eyebolts, ordered separately.

Bend Radius R in.	Tray Width in. mm		Catalog No.	Side Rail Height "H"							
				4"		5"		6"		7"	
				A in.	B in.	A in.	B in.	A in.	B in.	A in.	B in.
12 (305)	6	152	(Prefix)-06-CSF12	19 (483)	15 (381)	20 (508)	15 (381)	21 (533)	15 (381)	22 (559)	15 (381)
	9	228	(Prefix)-09-CSF12								
	12	305	(Prefix)-12-CSF12								
	18	457	(Prefix)-18-CSF12								
	24	609	(Prefix)-24-CSF12								
	30	762	(Prefix)-30-CSF12								
	36	914	(Prefix)-36-CSF12								
42	1067	(Prefix)-42-CSF12									
24 (609)	6	152	(Prefix)-06-CSF24	31 (787)	27 (686)	32 (813)	27 (686)	33 (838)	27 (686)	34 (864)	27 (686)
	9	228	(Prefix)-09-CSF24								
	12	305	(Prefix)-12-CSF24								
	18	457	(Prefix)-18-CSF24								
	24	609	(Prefix)-24-CSF24								
	30	762	(Prefix)-30-CSF24								
	36	914	(Prefix)-36-CSF24								
42	1067	(Prefix)-42-CSF24									
36 (914)	6	152	(Prefix)-06-CSF36	43 (1092)	39 (991)	44 (1118)	39 (991)	45 (1143)	39 (991)	46 (1168)	39 (991)
	9	228	(Prefix)-09-CSF36								
	12	305	(Prefix)-12-CSF36								
	18	457	(Prefix)-18-CSF36								
	24	609	(Prefix)-24-CSF36								
	30	762	(Prefix)-30-CSF36								
	36	914	(Prefix)-36-CSF36								
42	1067	(Prefix)-42-CSF36									
48 (1219)	6	152	(Prefix)-06-CSF48	55 (1397)	51 (1295)	56 (1422)	51 (1295)	57 (1448)	51 (1295)	58 (1473)	51 (1295)
	9	228	(Prefix)-09-CSF48								
	12	305	(Prefix)-12-CSF48								
	18	457	(Prefix)-18-CSF48								
	24	609	(Prefix)-24-CSF48								
	30	762	(Prefix)-30-CSF48								
	36	914	(Prefix)-36-CSF48								
42	1067	(Prefix)-42-CSF48									

(Prefix) See page 288 for catalog number prefix.

All dimensions in parentheses are millimeters unless otherwise specified.

Manufacturing tolerances apply to all dimensions.