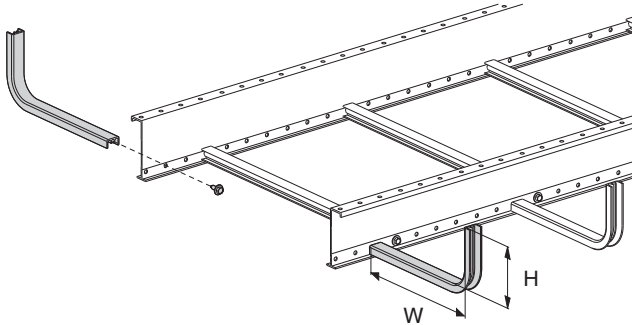


# Redi-Rail™ - Accessories

Redi-Rail

## Out Board Rungs

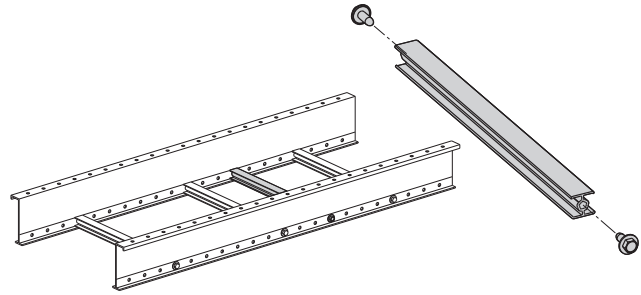
- Formed aluminum rung with attachment screw.
- Field installs as required.
- Torque rung fasteners to 6 ft/lbs.
- See page 188 for Voice/Data/Video and Power Options.
- Uniform load capacity on rung: 10 lbs.



Catalog No.	Fill Depth 'H'		For Tray Width 'W'	
	in	(mm)	in	(mm)
● 9A-SR0406	4	101	6	152
● 9A-SR0409	4	101	9	226
● 9A-SR0506	5	127	6	152
● 9A-SR0509	5	127	9	226

## Add-A- Rung Kit

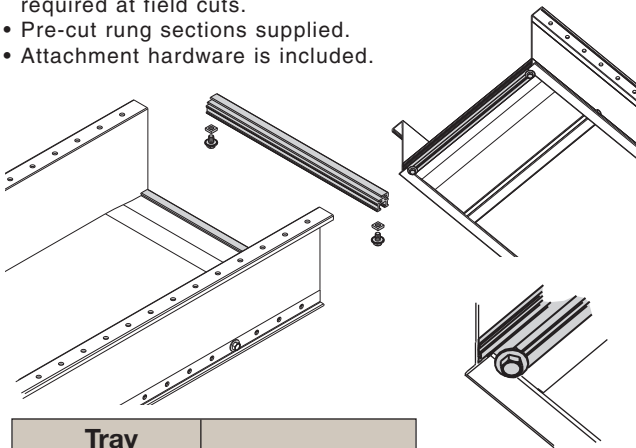
- Kit allows an additional rung to be added to a desired location throughout the tray system.
- Pre-cut rung sections supplied.
- Attachment hardware is included.
- Torque rung fasteners to 18 ft/lbs.



Tray Width		Catalog No.
in	(mm)	
6	152	● 9A-R06RK
9	226	● 9A-R09RK
12	305	● 9A-R12RK
18	452	● 9A-R18RK
24	609	● 9A-R24RK
30	762	● 9A-R30RK
36	914	● 9A-R36RK

## End Rung Kit For Solid Bottom

- Special rung captures solid bottom plate when required at field cuts.
- Pre-cut rung sections supplied.
- Attachment hardware is included.

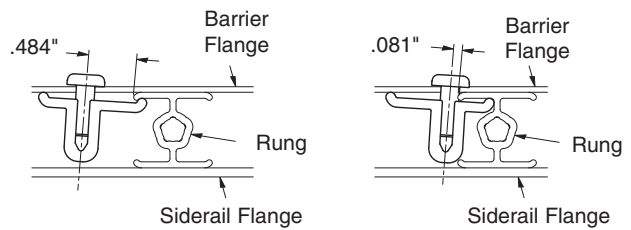
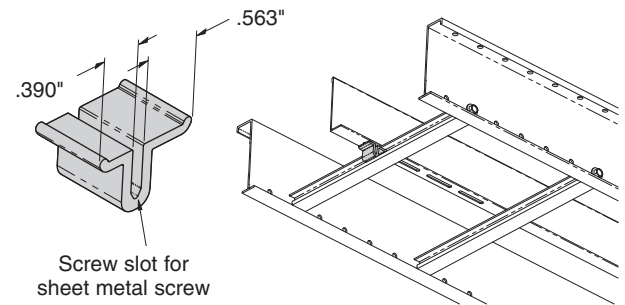


Tray Width		Catalog No.
in	(mm)	
6	152	● 9A-R06SBERK
9	226	● 9A-R09SBERK
12	305	● 9A-R12SBERK
18	452	● 9A-R18SBERK
24	609	● 9A-R24SBERK
30	762	● 9A-R30SBERK
36	914	● 9A-R36SBERK

## Barrier Strip Clip

- Provides attachment to Redi-Rail rung.
- Allows for installed barrier adjustment.
- Asymmetrical clip provides a wide range for screw location.
- Barriers strip clips and hardware are included with all barriers.

Catalog No. ● 9A-RBC



**Maximum Distance**  
Long leg adjacent to rung  
fully extended

**Minimum Distance**  
Short leg adjacent to rung  
fully extended

● Green = Fastest shipped items    ● Black = Normal lead-time items    ● Red = Normally long lead-time items