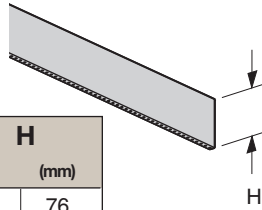


Straight Section Barrier Strip

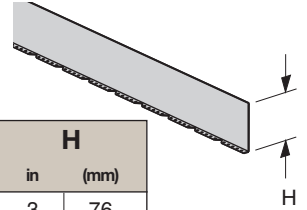
- Furnished with four (4) barrier strip clips, mounting hardware and splice.
- Standard lengths are 144" (12 ft) & 120" (10 ft).



Tray Series	Catalog No.	H	
		in	(mm)
H14A	● 73AR-Length	3	76
H15A	● 74AR-Length	4	101
H16A	● 75AR-Length	5	127
H17A	● 76AR-Length	6	152

Horizontal Bend Barrier Strip

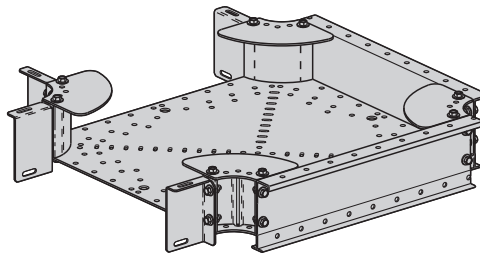
- Kit allows an additional rung to be added to a desired location throughout the tray system.
- Pre-cut rung sections supplied.
- Attachment hardware is included.
- Torque rung fasteners to 18 ft/lbs.



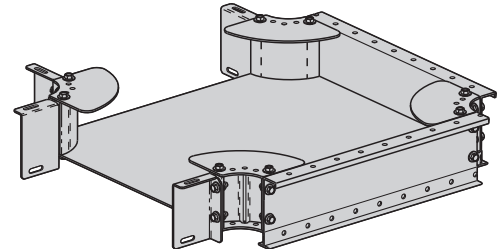
Tray Series	Catalog No.	H	
		in	(mm)
H14A	● 73AR-90HBFL	3	76
H15A	● 74AR-90HBFL	4	101
H16A	● 75AR-90HBFL	5	127
H17A	● 76AR-90HBFL	6	152

Universal Fitting

- Aluminum construction.
- 3" smooth radius.
- UL Classified.
- Shipped as a 90° horizontal bend.
- Field modify to create a tee or cross.
- Includes four pairs of splice plates.
- Accommodates Rail-Riser™.
- Patent Pending.



Punched Bottom



Solid Bottom

Tray Series	Catalog No.	
	Punched	Solid
H14A	● UR3A-(†)	● UR3ASB-(†)
H15A	● UR4A-(†)	● UR4ASB-(†)
H16A	● UR5A-(†)	● UR5ASB-(†)
H17A	● UR6A-(†)	● UR6ASB-(†)

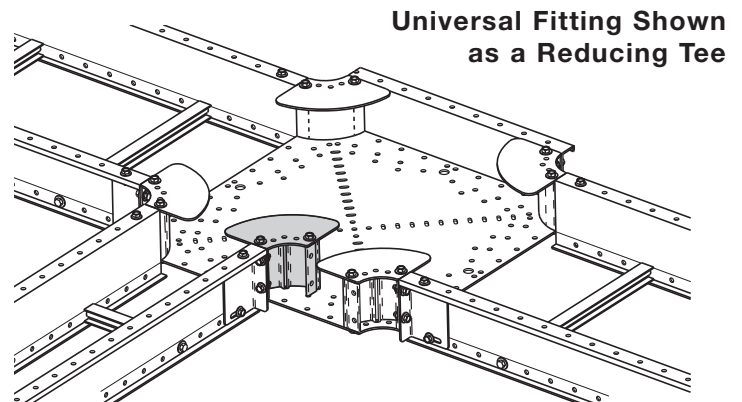
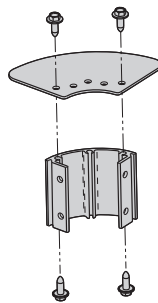
(†) Insert Tray Width 6" to 24"

Covers: Cover catalog number is UA-†-C where †=tray width.

Example: UA-12-C is a cover for UR4A-12 universal fitting shipped with attachment screws.

Corner Post For Universal Fitting

- Use to create reducing fittings.
- Furnished with hardware.
- 3" inside radius.
- UL Classified.



Universal Fitting Shown as a Reducing Tee

Loading Depth	Catalog No.
3"	● U3A-CP
4"	● U4A-CP
5"	● U5A-CP
6"	● U6A-CP

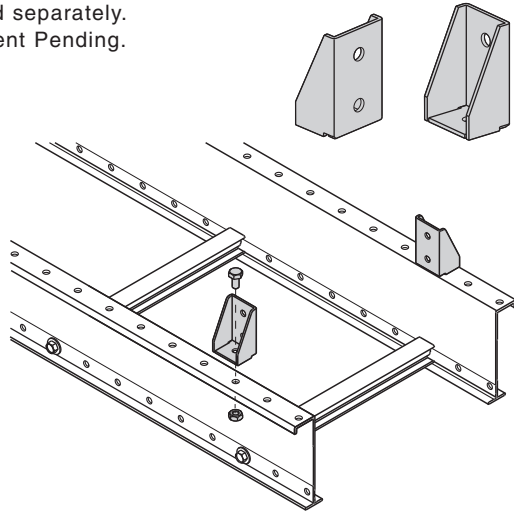
● Green = Fastest shipped items ● Black = Normal lead-time items ● Red = Normally long lead-time items

Redi-Rail™ - Accessories

Redi-Rail

Rail-Riser™ For Redi-Rail™ Cable Support Systems

- Provides expansion capabilities for existing systems where additional cable fill area is required.
- Increases fill-depth by two inches.
- Recommended installation frequency: two required every three feet, depending on cable density.
- Provides controlled cable exit locations.
- Does not interfere with cable fill area.
- Comes complete with necessary mounting hardware.
- Zinc plated.
- Sold separately.
- Patent Pending.



Catalog No. ● 9ZN-RR2RR

Vertical Bend Barrier Strip

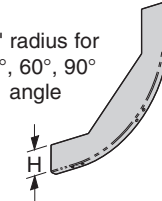
- Furnished with three (3) barrier strip clips, mounting hardware and splice.

Inside Bend (VI)

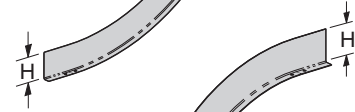
12" radius for 30° angle



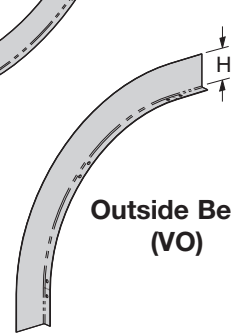
12" radius for 45°, 60°, 90° angle



24" radius for all standard angles



Outside Bend (VO)

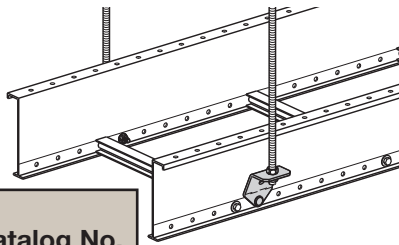


Tray Series	Catalog No.		H	
	Inside Bend	Outside Bend	in	(mm)
H14A	● 73AR-(**)VI(t)	● 73AR-(**)VO(t)	3	76
H15A	● 74AR-(**)VI(t)	● 74AR-(**)VO(t)	4	101
H16A	● 75AR-(**)VI(t)	● 75AR-(**)VO(t)	5	127
H17A	● 76AR-(**)VI(t)	● 76AR-(**)VO(t)	6	152

(**) Insert 30°, 45°, 60°, 90° for angles
(t) Insert 12, 24 for radius

Hanger Rod Bracket

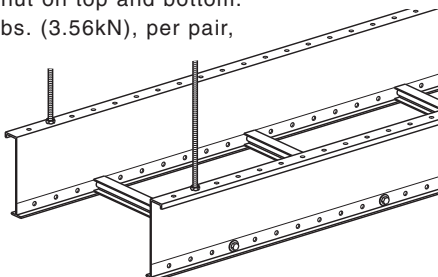
- Studded bracket bolts to Redi-Rail™ holes.
- For 3/8" ATR.
- Loading is 1,000 lbs. (4.45kN), per pair, safety factor 3.
- Position ATR 3" wider than cable tray width.



Support ATR Size	Catalog No.
3/8"	● 9(*)-R238
1/2"	● 9(*)-R250

(*) Insert ZN or SS

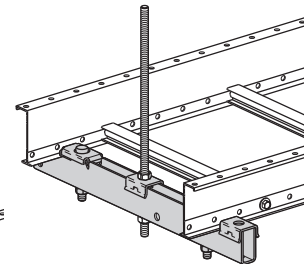
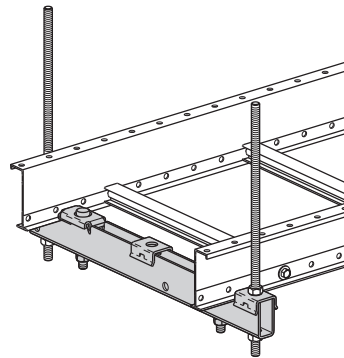
- 1/4" ATR through Redi-Rail™ holes on top flange. Hex nut on top and bottom.
- Loading is 800 lbs. (3.56kN), per pair, safety factor 3.



- Position ATR 1" wider than cable tray width.

Center Hung Trapeze

- Designed for 1/2" and 3/8" ATR.
- Loading is 600 lbs. (2.67kN), safety factor 3.
- Zinc plated.



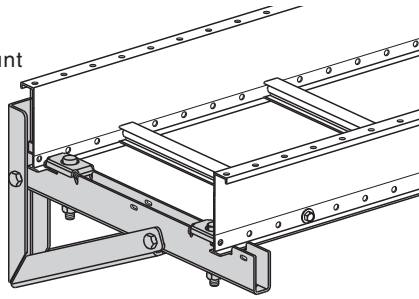
Pre-assembled hanger system that can be used as a trapeze or a center hung support.

Catalog No.	For Tray Width	
	in	(mm)
● 9ZN-5106	6	152
● 9ZN-5109	9	226
● 9ZN-5112	12	305
● 9ZN-5118	18	452
● 9ZN-5124	24	609

● Green = Fastest shipped items ● Black = Normal lead-time items ● Red = Normally long lead-time items

Wall-Mount Assembly

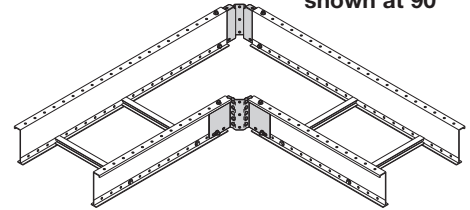
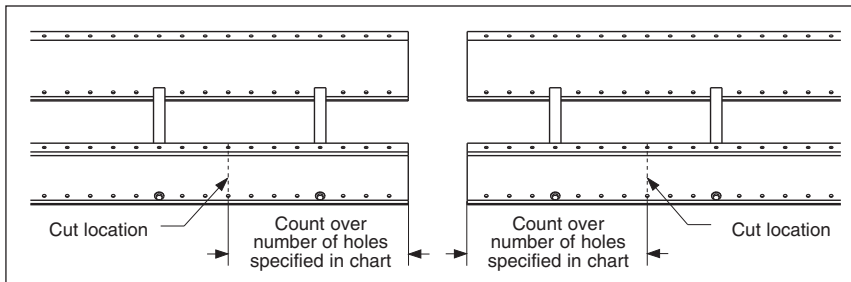
- Pre-assembled wall-mount hanger system.
- Load capacity is 600 lbs. (272.1 kg) safety factor of 3.



Catalog No.	For Tray Width	
	in	(mm)
● 9ZN-5106-WB	6	152
● 9ZN-5109-WB	9	226
● 9ZN-5112-WB	12	305
● 9ZN-5118-WB	18	452
● 9ZN-5124-WB	24	609

How to miter cut Redi-Rail™ cable tray for use with flex-mount splice plates.

H15AR09-12-144 shown at 90°



H15AR09-12-144 Straight Section shown with required side rail removed to form 90° fitting.

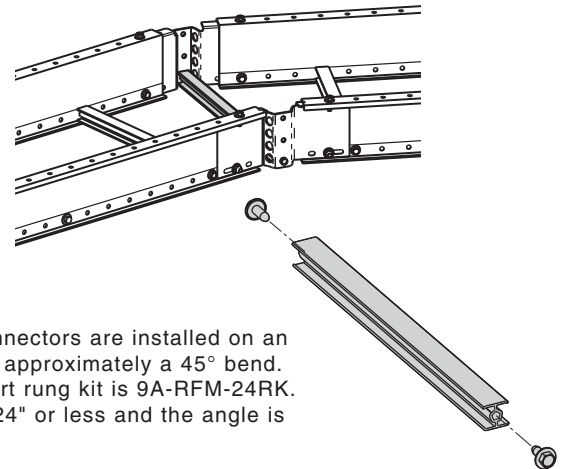
Example: For a 12" wide 90° bend, the cuts must be made through the eighth hole from the end.

- Mark desired hole/cut locations per chart.
- Remove any rungs (if necessary) affected by cuts.
- Cut side rails through center of required holes per chart.
- Mount outside flex-mount splice plate with provided hardware and bend Redi-Rail sections to desired angle.
- Form inside flex-mount splice plate to fit contour of inner rails and bolt into place.
- Reinstall (if necessary) appropriate rungs. Torque to 18 ft./lbs.
- If Splice Rung Kit (see below) is required, order separately.
- Recommend adding one to the value in the chart if the first hole is less than 3/8" from the end of tray.

Tray Width	Number Of Holes For Desired Angle				Angle Adjustment Allowed
	30°	45°	60°	90°	
6	1	2	2	4	± 14.5
9	2	2	3	6	± 9.7
12	2	3	4	8	± 7.3
18	3	5	7	11	± 4.9
24	4	6	9	15	± 3.6
30	5	8	11	19	± 2.9
36	6	10	13	23	± 2.4

Flex-Mount Splice Rung Kit

- Kit allows a support rung to be added to flex-mount splice plates so that cables may be supported through a bend.
- The support rung is available in three lengths and should be ordered based upon tray width.
- The rung length is sized so that it will fit a maximum tray width when flex-mount splices are used to make a bend up to 90°.
- Once the flex-mount splices are installed in the cable tray system, the distance between the splice mounting surfaces should be measured. Cut support rung to the measured distance and install using the hardware included. Torque to 18 ft./lbs.



For Tray Width	Catalog No.	Actual Rung Length
Up to 12"	● 9A-RFM-12RK	20"
18" & 24"	● 9A-RFM-24RK	37"
30" & 36"	● 9A-RFM-36RK	54"

Example: Flex connectors are installed on an 18" wide tray with approximately a 45° bend. The correct support rung kit is 9A-RFM-24RK. The tray width is 24" or less and the angle is less than 90°.

● Green = Fastest shipped items ● Black = Normal lead-time items ● Red = Normally long lead-time items