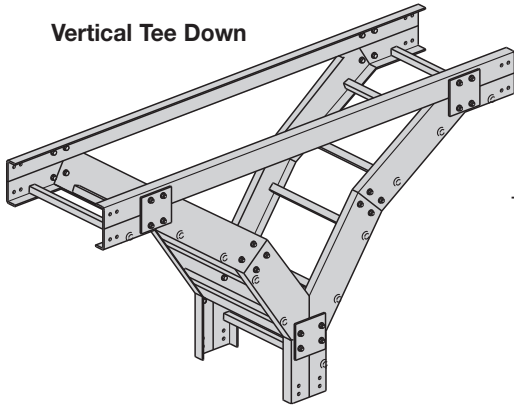
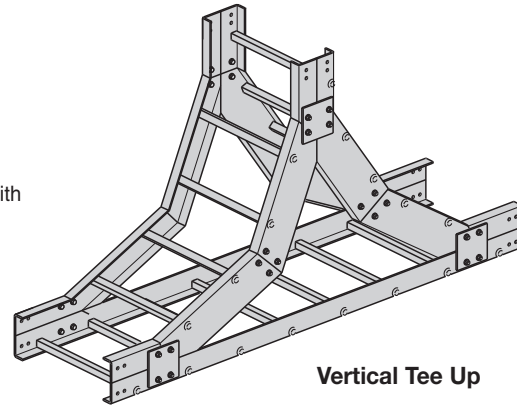


Vertical Tee Up (VTU) Vertical Tee Down (VT)

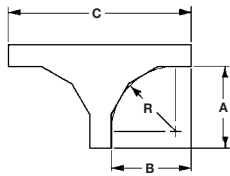
Vertical Tee Down



Two pair of splice plates with SS6 hardware included.

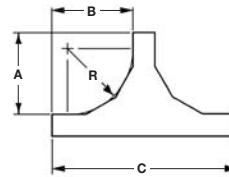


Vertical Tee Up



(VT) Mitered

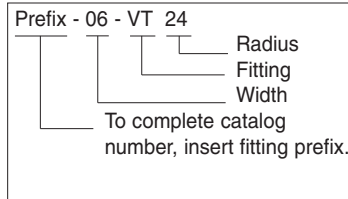
C Dimension =
 $2 \times B + \text{Side Rail Height}$



(VTU) Mitered

C Dimension =
 $2 \times B + \text{Side Rail Height}$

(Prefix) See page 330 for catalog number prefix.
Dimensions for reference only, when critical contact factory.



For 3" Fittings

(Radius 12" only • Tray widths - 6" thru 24")
Polyester, Vinyl Ester, Zero Halogen/Dis-Stat
All are mitered

For 6" Fittings

(Radius 12", 24" & 36"
Tray widths - 6" thru 36")
Polyester, Vinyl Ester, Zero Halogen/Dis-Stat
All radius are mitered

For 4" Fittings

(Radius 12", 24" & 36"
Tray widths - 6" thru 36")
Polyester, Vinyl Ester, Zero Halogen/Dis-Stat
All radius are mitered

For 8" Fittings

(Radius 12", 24" & 36"
Tray widths - 6" thru 36")
Polyester, Vinyl Ester, Zero Halogen/Dis-Stat
All radius are mitered

Vertical Tee Up (VTU) Vertical Tee Down (VT)

- R - Bend Radius		Tray Width		Mitered								
				Catalog No.	Vertical Tee Down				Vertical Tee Up			
					A		B		A		B	
in.	mm	in.	mm	in.	mm	in.	mm	in.	mm	in.	mm	
12	305	6	152	(Prefix)-06-(*)12	20 ⁵ / ₁₆	524	20 ⁵ / ₁₆	524	20 ⁵ / ₁₆	524	20 ⁵ / ₁₆	524
		9	228	(Prefix)-09-(*)12								
		12	305	(Prefix)-12-(*)12								
		18	457	(Prefix)-18-(*)12								
		24	609	(Prefix)-24-(*)12								
		30	762	(Prefix)-30-(*)12								
24	609	6	152	(Prefix)-06-(*)24	29	736	29	736	29	736	29	736
		9	228	(Prefix)-09-(*)24								
		12	305	(Prefix)-12-(*)24								
		18	457	(Prefix)-18-(*)24								
		24	609	(Prefix)-24-(*)24								
		30	762	(Prefix)-30-(*)24								
36	914	6	152	(Prefix)-06-(*)36	37 ¹⁵ / ₁₆	963	37 ¹⁵ / ₁₆	963	37 ¹⁵ / ₁₆	963	37 ¹⁵ / ₁₆	963
		9	228	(Prefix)-09-(*)36								
		12	305	(Prefix)-12-(*)36								
		18	457	(Prefix)-18-(*)36								
		24	609	(Prefix)-24-(*)36								
		30	762	(Prefix)-30-(*)36								

(*) Insert 'VT' for Vertical Tee Down or 'VTU' for Vertical Tee Up.