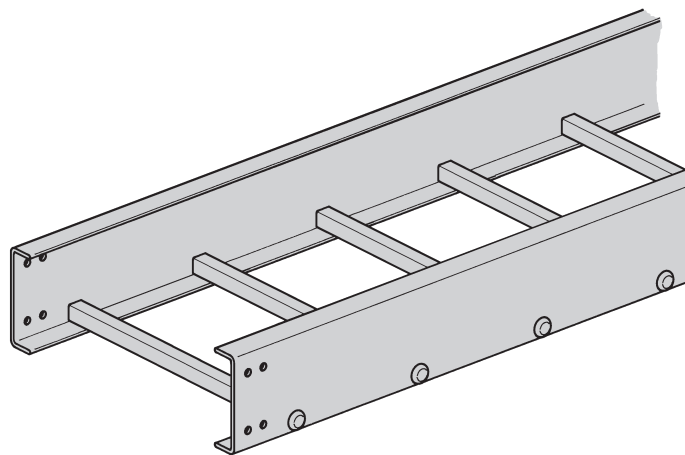


# Fiberglass - Cable Tray Numbering System

To order a Fiberglass straight section of cable tray, select the appropriate size and material from the charts below and place those symbols in the sequence shown to form the complete catalog number.

## Procedure:

1. Select the correct Cooper B-Line **series** Fiberglass tray using the Load Data for straight sections shown on page 324 for 3", page 325 for 4", page 326 - 328 for 6" and page 329 for 8" fittings.
2. Select the resin required. Polyester, Vinyl Ester, or Zero Halogen/Dis-Stat. Refer to Corrosion Guide on pages 306 and 307, for the effect of environmental conditions on the desired material and the effective temperature range on page 308.
3. The tray prefix is completed by inserting the **rung spacing**.
4. Select the desired **width** in inches. Refer to How To Size Cable Tray Section if width has to be computed based on number and size of cables. See pages 313 thru 315.
5. Finally select the straight section **length** in inches.  
Fiberglass 120 [10'] (3m) or 240 [20'] (6m)



Straight Section Part Numbering				
Example: 24 F 09 - 24 - 120				
Series	Material	Rung Spacing	Width	Length
13	F - Fiberglass	6" (152)	6" (152)	120 [10 ft] (3m)
24	Polyester Resin	9" (228)	9" (228)	240 [20 ft] (6m)
36	FV - Fiberglass	12" (305)	12" (305)	
46	Vinyl Ester Resin	*See page 355	18" (457)	
H46	FA - Zero Halogen/	for Marine Rung	24" (609)	
48	Dis-Stat	option.	30" (762)	
			36" (914)	

**Note:** One pair of splice plates with SS6 hardware included.

Fitting Section Part Selector					
Example: 4 F - 24 - 90 HB 24					
Height	Material	Width	Angle	Type	Radius
3" (76)	F - Fiberglass	6" (152)	30°	HB - Horizontal Bend	12" (305)
4" (101)	Polyester Resin	9" (228)	45°	HT - Horizontal Tee	24" (609)
6" (152)	FV - Fiberglass	12" (305)	60°	HX - Horizontal Cross	36" (914)
8" (203)	Vinyl Ester Resin	18" (457)	90°	VI - Vertical Inside Bend	
	FA - Zero Halogen/	24" (609)		VO - Vertical Outside Bend	
	Dis-Stat	30" (762)		VT - Vertical Tee	
		36" (914)		VTU - Vertical Tee, Up	
				RR - Right Reducer	
				LR - Left Reducer	
				SR - Straight Reducer	

**Notes:** Standard rung spacing on fittings is 9" (225).  
Splice plates with SS6 hardware included.