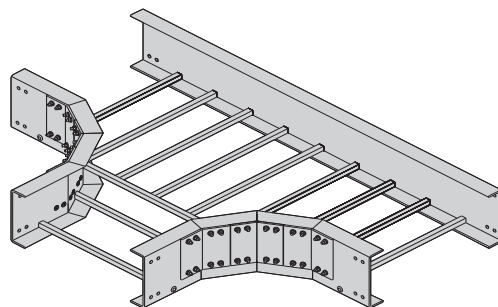
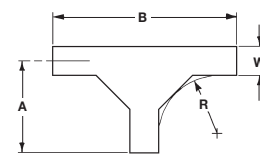


## Horizontal Tee (HT)

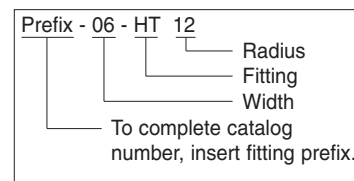


Two pair of splice plates with SS6 hardware included.

- R - Bend Radius		Tray Width		Horizontal Tee - Mitered Dimensions				
				Catalog No.	A		B	
in.	mm	in.	mm		in.	mm	in.	mm
12	305	6	152	(Prefix)-06-HT12	19¼	489	38	965
		9	228	(Prefix)-09-HT12	20¾	527	41	1041
		12	305	(Prefix)-12-HT12	22¼	565	44	1117
		18	457	(Prefix)-18-HT12	25¼	641	50	1270
		24	609	(Prefix)-24-HT12	28¼	717	56	1422
		30	762	(Prefix)-30-HT12	31¼	794	62	1575
		36	914	(Prefix)-36-HT12	34¼	870	68	1727
24	609	6	152	(Prefix)-06-HT24	31¼	794	62¼	1581
		9	228	(Prefix)-09-HT24	32¾	832	65¼	1657
		12	305	(Prefix)-12-HT24	34¼	870	68¼	1734
		18	457	(Prefix)-18-HT24	37¼	946	74¼	1886
		24	609	(Prefix)-24-HT24	40¼	1022	80¼	2038
		30	762	(Prefix)-30-HT24	43¼	1098	86¼	2191
		36	914	(Prefix)-36-HT24	46¼	1175	92¼	2343
36	914	6	152	(Prefix)-06-HT36	43¼	1098	86½	2191
		9	228	(Prefix)-09-HT36	44¾	1136	89½	2273
		12	305	(Prefix)-12-HT36	46¼	1175	92½	2343
		18	457	(Prefix)-18-HT36	49¼	1251	98½	2502
		24	609	(Prefix)-24-HT36	52¼	1327	104½	2654
		30	762	(Prefix)-30-HT36	55¼	1403	110½	2807
		36	914	(Prefix)-36-HT36	58¼	1479	116½	2959



Mitered Tee



(Prefix) See page 330 for catalog number prefix.  
Dimensions for reference only, when critical contact factory.

### For 3" Fittings

(Tray Widths - 6" thru 24" • Radius 12" only)  
Polyester, Vinyl Ester, Zero Halogen/Dis-Stat  
All are mitered

### For 4" Fittings

(Tray Widths - 6" thru 36" • Radius 12", 24" & 36")  
Polyester, Vinyl Ester, Zero Halogen/Dis-Stat  
All radius are mitered

### For 6" Fittings

(Tray Widths - 6" thru 36" • Radius 12", 24" & 36")  
Polyester, Vinyl Ester, Zero Halogen/Dis-Stat  
All radius are mitered

### For 8" Fittings

(Tray Widths - 6" thru 36" • Radius 12", 24" & 36")  
Polyester, Vinyl Ester, Zero Halogen/Dis-Stat  
All radius are mitered