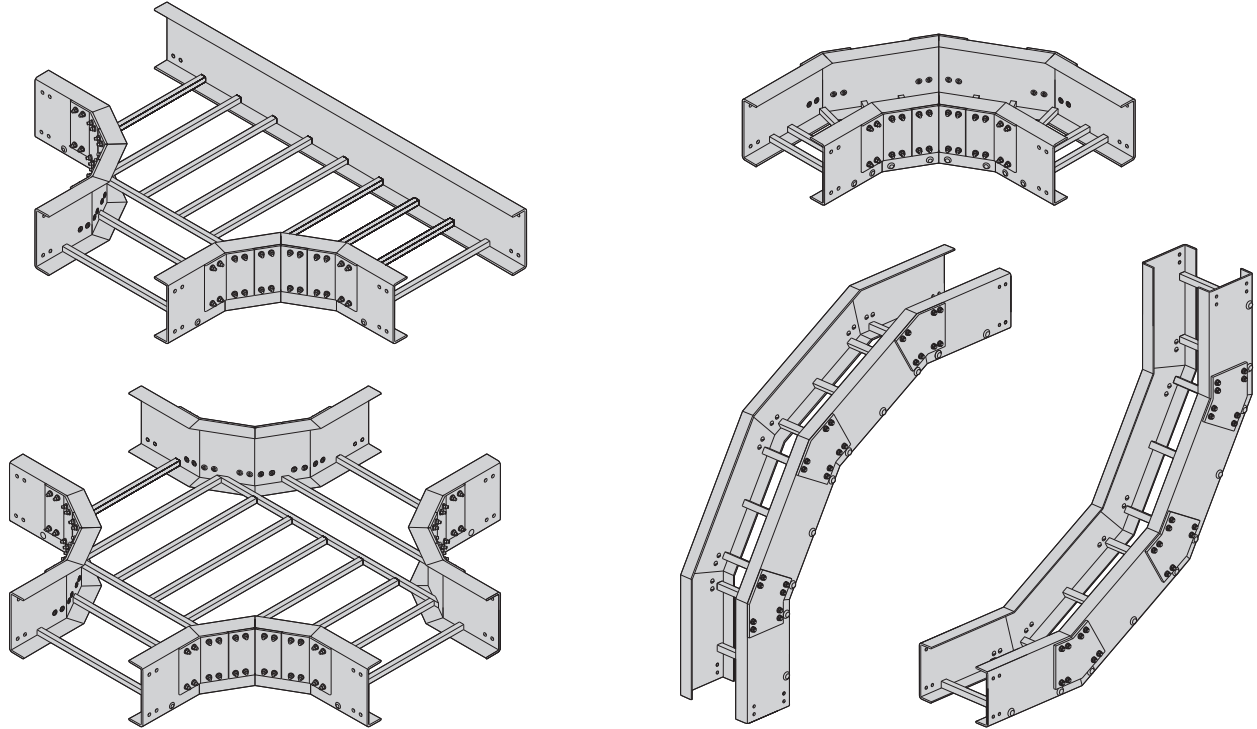


Fiberglass - Fitting Numbering System



Series 24 Fiberglass Fittings Part Numbering

Prefix
 Example: **4 F - 12 - 90 HB 12** (9" rung spacing is standard)

Height

- 3 = 3" **
- 4 = 4"
- 6 = 6"
- 8 = 8"

Material

- F = Polyester
- FV = Vinyl Ester
- FA = Zero Halogen Dis-Stat

Width

- 06 = 6" (152)
- 09 = 9" (228)
- 12 = 12" (305)
- 18 = 18" (457)
- 24 = 24" (609)
- 30 = 30" (762)
- 36 = 36" (914)

Angle

- 45 = 45°
- 90 = 90°

Type

- HB = Horizontal Bend
- HT = Horizontal Tee
- HX = Horizontal Cross
- VI = Vertical Inside Bend
- VO = Vertical Outside Bend
- LR = Left Reducer
- RR = Right Reducer
- SR = Straight Reducer
- VT = Vertical Tee Down
- VTU = Vertical Tee Up

Radius

- 12 = 12" (305)
- 24 = 24" (609)
- 36 = 36" (914)

** 3" deep fittings are only available in 6" thru 24" widths and 12" radius only.

● Green = Fastest shipped items ● Black = Normal lead-time items ● Red = Normally long lead-time items