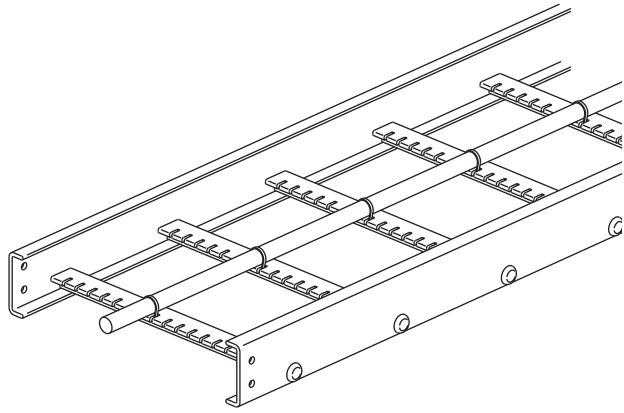


Marine Rung Cable Tray/Fiberglass

Patent Pending



Features:

- For Coast Guard Requirements
 - Allows stainless steel banding of cables
 - $\frac{5}{32}$ " (15.88) slots 1 inch (25.40) on centers
 - Accommodates up to $\frac{5}{8}$ " (.625) banding
- Has applications on land
 - Vertical installation
 - Any location where extra cable positioning is required
- Designed for B-Line Fiberglass Series Cable Trays
- Part Number Indication
 - Add MR after rung spacing
 - Example: 46F09MR-36-240

Rung design provides:

- 2" (50.80) cable support surface
- Both mechanical and adhesive rung to side rail connection

