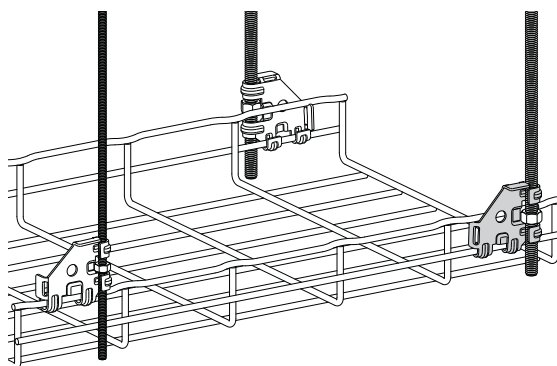


Flip Clip™

- Accommodates 1/4" and 3/8" rod sizes
- Installs quickly with a screwdriver or pliers thus reducing installation time
- Requires only one hex nut (not included) to hang and level the Flextray
- Retainer tabs can be bent over to lock-in the threaded rod and wire basket
- Finishes __: **ZN**, FB, SS6

Part Number	Description	Qty./Box	Wt./Box	
			lbs.	kg
WB46H__	Flip Clip	50	5.2	2.36

Snap retainers stop in place after cable is loaded.

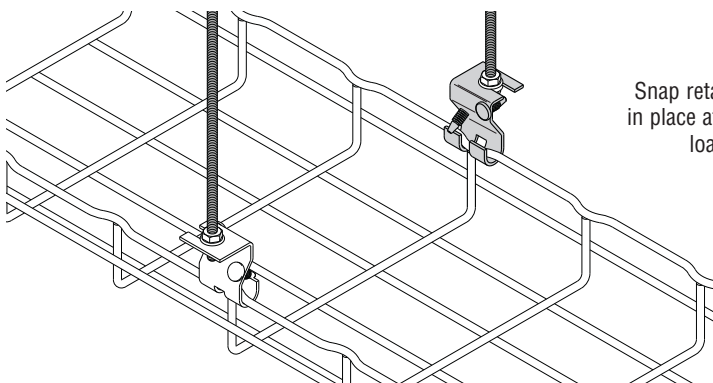


Trapeze Support

- Trapeze Clip installs fast
- For use with trays up to 4" (100mm) deep, 12" (300mm) wide, and spans up to 8'-0" (2.44m)
- Tray can be released from support to allow side cable loading
- Accepts 1/4" and 3/8" threaded rod sizes
- Finishes __: **GS**, BLE

Part Number	Description	Qty./Box	Wt./Box	
			lbs.	kg
TRAPEZE SUPT2__	Trapeze Support Clip	50 trapeze clips 100 retainer stops	7.0	3.17

Snap retainers stop in place after cable is loaded.



See page 44 for finish information

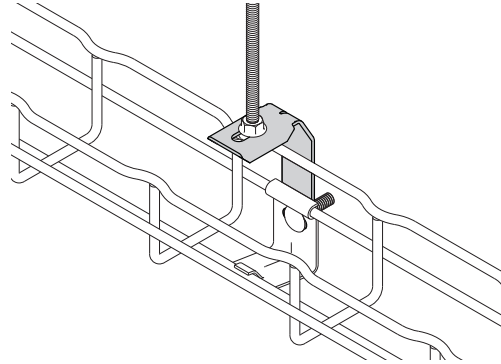
2" Center Hanger

Part Number	Description	Qty./Box	Wt./Box	
			lbs.	kg
2 IN CTR SUPT__	Center Support Hanger for FT2x2	50	5.0	2.27

- For use with 2" (50mm) tray widths only
- Accepts 1/4" threaded rod
- Hardware sold separately
- Finishes __: **GS**, BLE



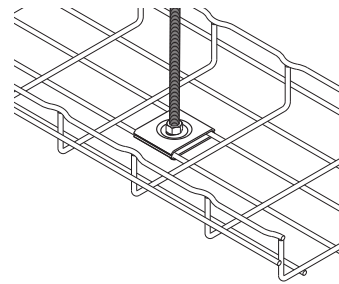
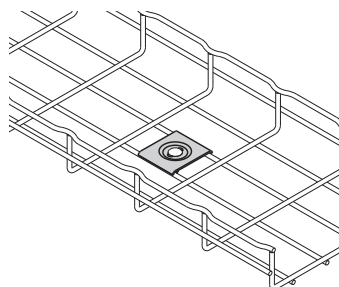
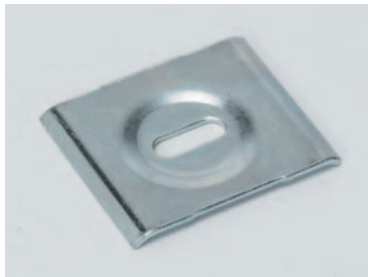
Assemble with ATTACHMENT CLP & FTHDWE 1/4 hardware.



Hold Down Plate

Part Number	Slot Size	Qty./Box	Wt./Box	
			lbs.	kg
SUPT WASHER__	.28" x .70"	50	4.7	2.13
FTA6HD__	.40" x .70"	50	3.5	1.59

- Easy way to mount 4" (100mm) wide tray for raceway run.
- Use 1/4" screws to attach SUPT WASHER to your specific wall/stud application (hardware sold separately).
- FTA6HD can be used in pairs to create a center-hung support using 3/8" rod.
- To protect cables use threaded rod protector (page 61).
- To complete 3/8" center hanger assembly use:
 - 2 - FTA6HD
 - 2 - HN 3/8"-16 hex nuts
- Finish: **ZN**, SS6

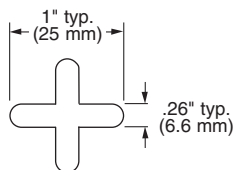
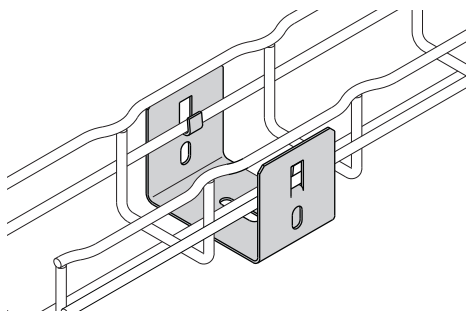


See page 44 for finish information

Mounting Bracket

- Designed to support FT2X2X10 Flextray
- Click tabs for Flextray attachment
- Use 1/4" hardware and washer (not included) to mount bracket
- Finishes __: **SS6**

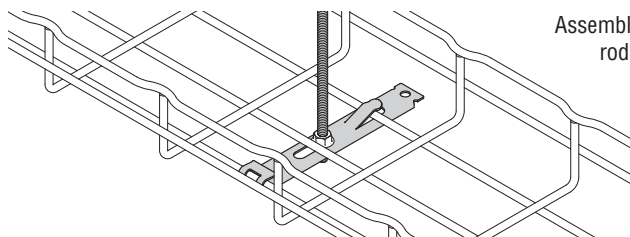
Part Number	Description	Qty./Box	Wt./Box	
			lbs.	kg
FTB2UB__	Light Duty Wall/Rack Bracket	10	2.1	0.95



Center Hung Clip

- Use for light duty cabling applications
- For use with 1 1/2" (38mm) & 2" (51mm) deep tray with 4" (100mm) and 6" (150mm) widths
- Built-in hold down tab
- Accepts 1/4" threaded rod
- Threaded rod and nuts sold separately
- Finishes __: **GS**, BLE

Part Number	Description	Qty./Box	Wt./Box	
			lbs.	kg
CTR HUNG CLP__	Light Duty Center Hanger	50	4.0	1.81



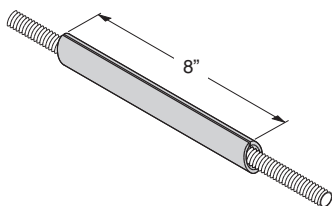
Assemble with 1/4" threaded rod and finned nut



Threaded Rod Protector

- Use to protect cables from 1/4" to 1/2" threaded rod
- PVC UL94V-0 material
- Color: Gray

Part Number	Description	Qty./Box	Wt./Box	
			lbs.	kg
SB301-1/2x8__	Rod Protector	1	0.01	0.004

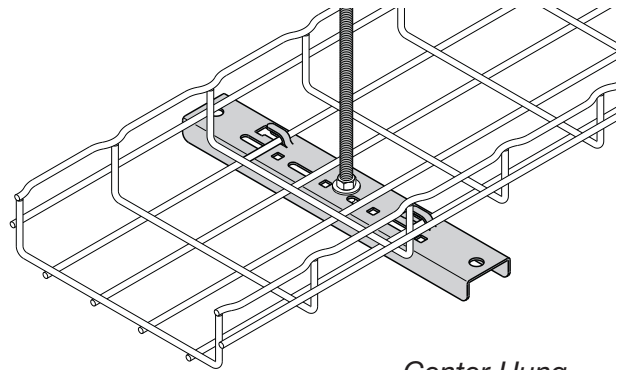


See page 44 for finish information

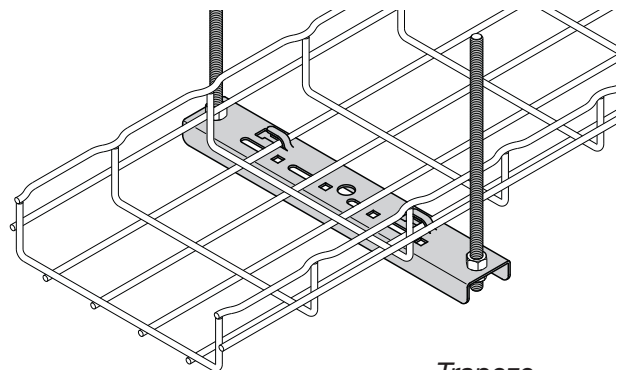
Center Trapeze Hanger

Part Number	Maximum Tray Width		Actual Length		Wt./Pc.	
	in.	mm	in.	mm	lbs.	kg
FTB06CT	6"	150	9.78"	248	0.61	0.27
FTB08CT	8"	200	11.75"	298	0.74	0.33
FTB12CT	12"	300	15.69"	398	0.98	0.44
FTB16CT	16"	400	19.63"	498	1.61	0.73
FTB18CT	18"	450	21.59"	548	1.77	0.80
FTB20CT	20"	500	23.56"	598	1.93	0.87
FTB24CT	24"	600	27.50"	698	2.25	1.02

- Can be installed as center-hung or traditional trapeze hanger
- Multiple options to secure Flextray to hanger
 - Built in hold down tabs (use screwdriver to bend down tab)
 - Compatible with TOOLLESS CLIP with snap-in locking pin
 - Compatible with WBUHD hold down clip when tray crosswire is aligned over top of hanger
 - Slots and holes for optional hardware attachment
- Corrosion resistant pre-galvanized zinc finish (other finishes available upon request)
- Center hole for up to 1/2" rod
- Hole on each end for up to 3/8" rod
- Threaded rod protector available (SB301-1/2 x 8)



Center Hung



Trapeze

See page 44 for finish information

KwikWire™ Clamps & Wire Rope



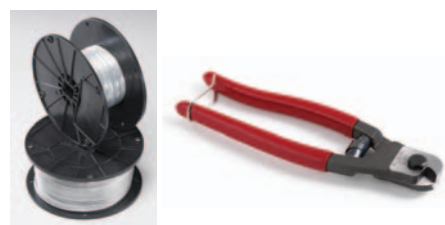
- KwikWire system replaces jack chain or ATR to support lighting, ductwork, and Flextray.
- Can be quickly installed around beams - No drilling required.
- Ideal for sloped ceilings - can hang objects at up to 60° angles.
- Simple height adjustments are made by releasing locking tab, no tools required.
- Spools of wire can be cut to length in field, reducing waste and up front planning.



Part Number	Clamp Description For Use With Rope Diameter	Qty./Box
BKC100	1/32", 1/16" & 3/32"	100
BKC200	3/32", 1/8" & 3/16"	50



Part Number	Rope Diameter - Working Load	Qty./Spool
BKW063 (1)	1/16" - 96 lbs.	500 ft.
BKW094 (1)	3/32" - 184 lbs.	500 ft.
BKW125 (1)	1/8" - 340 lbs.	500 ft.
BKW188 (2)	3/16" - 840 lbs.	250 ft.
BKCC	Wire Rope Cutter	1



Wire Rope Construction



(1) 7 x 7



(2) 7 x 19

KwikWire™ Clamp Working Loads*

Clamp Part No.	Wire Rope Dia.	Lbs. Safety Factor 5
BKC100	1/32"	0-22
BKC100	1/16"	0-75
BKC100	3/32"	25-150
BKC200	3/32"	25-150
BKC200	1/8"	25-250
BKC200	3/16"	50-640

* Working loads shown are for hanging vertically. For suspending at 15°, 30°, 45° or 60° angles from vertical, use the following percentage of the working loads from the chart:

15° = 96%
30° = 86%
45° = 70%
60° = 50%

See page 44 for finish information

KwikWire™ Cable Assemblies



- New KwikWire “Y” Cable Assemblies will simplify the installation of light fixtures and cable tray.
- “Y” Cables enable a single suspension point to provide two securement points.
- “Y” legs are 18” in length.
- “Y” Cable Assembly Kits include two (2) 10’-0” long cable assemblies and two (2) KwikWire clamps.
- Add-on cable assemblies can be field installed on KwikWire systems.



Part Number	Description	Qty./Box
BKYC-094	Carabiner	20
BKYC-094-120K	Carabiner	10

See page 44 for finish information



KwikWire™ Starter Kit

- Starter Kit includes everything you need to get the job done.
- Kits are packaged in a 5-gallon bucket for easy transportation. The lid includes a built-in cable counter to simplify measuring and cutting the wire rope to length.
- Starter Kit includes KwikWire clamps, a spool of wire rope, and a cable cutter.



Part Number	Kit Includes - Working Load	Qty./Box
BKS10063	BKC100 (100 pcs.), Cable Cutter 1/16"Ø Wire Rope (500 ft.)	1
BKS10094	BKC100 (100 pcs.), Cable Cutter 3/32"Ø Wire Rope (500 ft.)	1
BKS15094	BKC150 (100 pcs.), Cable Cutter 3/32"Ø Wire Rope (500 ft.)	1
BKS15125	BKC150 (100 pcs.), Cable Cutter 1/8"Ø Wire Rope (500 ft.)	1
BKS20125	BKC200 (50 pcs.), Cable Cutter 1/8"Ø Wire Rope (500 ft.)	1
BKS20188	BKC200 (50 pcs.), Cable Cutter 3/16"Ø Wire Rope (250 ft.)	1



KwikPak™ Wire Rope & Clamps

KwikPak™ makes handling KwikWire™ a breeze!

- Refill your starter kit with a B-Line KwikPak™.
- KwikPaks include KwikWire clamps and a spool of wire rope.
- KwikPaks are shipped in a specially designed dispenser box to ease field cutting of wire.



Part Number	Kit Includes - Working Load	Qty./Box
BKP10063	BKC100 (100 pcs.), Cable Cutter 1/16"Ø Wire Rope (500 ft.)	1
BKP10094	BKC100 (100 pcs.), Cable Cutter 3/32"Ø Wire Rope (500 ft.)	1
BKP15094	BKC150 (100 pcs.), Cable Cutter 3/32"Ø Wire Rope (500 ft.)	1
BKP15125	BKC150 (100 pcs.), Cable Cutter 1/8"Ø Wire Rope (500 ft.)	1
BKP20125	BKC200 (50 pcs.), Cable Cutter 1/8"Ø Wire Rope (500 ft.)	1
BKP20188	BKC200 (50 pcs.), Cable Cutter 3/16"Ø Wire Rope (250 ft.)	1

See page 44 for finish information