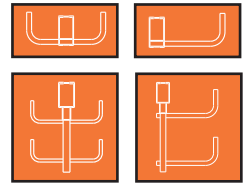


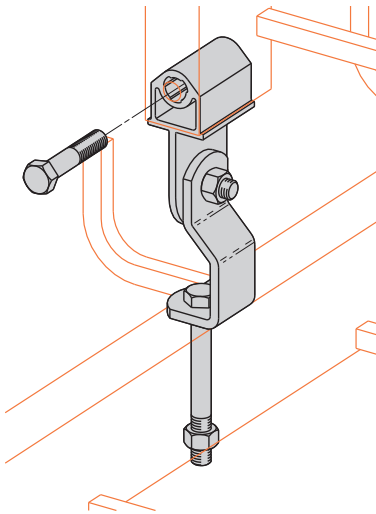
## Vertical Adjustable Splice

Cat. No.
● CAS-VB

Patented (see page 117)



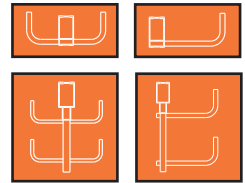
- Ideal for random angle vertical bends
- Qwik-Bolt™ design
- Shipped assembled with required hardware
- UL classified for grounding - 1000 amps



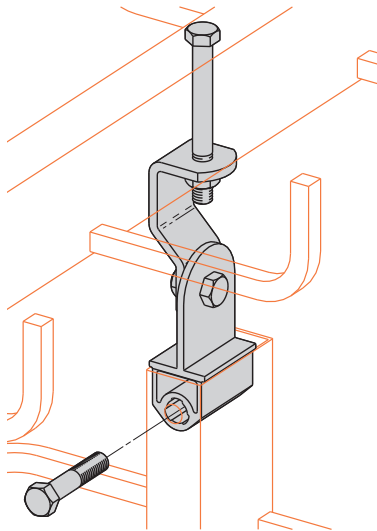
## Vertical Coupling

Cat. No.
● CAC-VB

Patented (see page 117)



- Use one piece to create vertical tees.
- Use two pieces to create vertical crosses.
- Pivoting connections
- Qwik-Bolt design
- Shipped assembled with required hardware
- UL classified for grounding - 1000 amps



Note: All connectors are aluminum material and sized for 1/2" zinc plated steel hardware, unless otherwise specified.

● Green = Fastest shipped items    ● Black = Normal lead-time items    ● Red = Normally long lead-time items