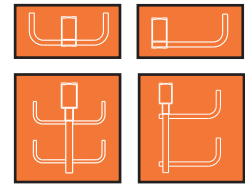


(Pan shown in Data-Track™)

Pan

- Solid floor system with the flexibility of a center rail system
- Side remains open for cable exit/entry
- Available in aluminum or pre-galvanized steel
- Hemmed edges to provide smooth cable fill area
- Shipped with self-drilling screws for easy field installation



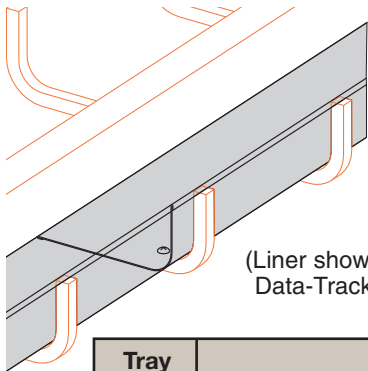
Tray Width in.	Pan Catalog Number				
	Data-Track™ Bottom Rung (one side only)	Data-Track™ Top Rung (one side only)	Verti-Rack™ (one side - one tier only)	Half-Rack™	Multi-Tier Half-Rack™ (one tier only)
3	N/A	N/A	C(*)P-008-(†)	C(*)P-020-(†)	C(*)P-020-(†)
6	C(*)P-020-(†)	C(*)P-012-(†)	C(*)P-023-(†)	C(*)P-050-(†)	C(*)P-050-(†)
9	C(*)P-035-(†)	C(*)P-027-(†)	C(*)P-038-(†)	C(*)P-080-(†)	C(*)P-080-(†)
12	C(*)P-050-(†)	C(*)P-042-(†)	C(*)P-053-(†)	C(*)P-110-(†)	C(*)P-110-(†)
18	C(*)P-072-(†)	C(*)P-072-(†)	N/A	N/A	N/A
24	C(*)P-102-(†)	C(*)P-102-(†)	N/A	N/A	N/A

(*) Material- Insert "A" for .040 aluminum or "P" for 20 Ga. pre-galvanized steel.

(†) Length- Insert 060 for 60", 072 for 72", 120 for 120", or 144 for 144".

Ordering information - Example: CAP-035-144

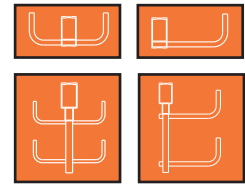
Aluminum pan for 9" wide bottom rung Data-Track in a 12 foot section.



(Liner shown in Data-Track™)

Liner

- Used to enclose a center rail system when desired
- Available in aluminum or pre-galvanized steel
- Hemmed edges to provide smooth cable fill area
- Shipped with self-drilling screws for easy field installations



Tray Width in.	Liner Catalog Number				
	Data-Track™ Bottom Rung (one side only)	Data-Track™ Top Rung (one side only)	Verti-Rack™ (one side - one tier only)	Half-Rack™	Multi-Tier Half-Rack™ (one tier only)
3	N/A	N/A	C(*)L-V2-014-(†)	C(*)L-D(x)-028-(†)	C(*)L-D(x)-028-(†)
6	C(*)L-D(x)-028-(†)	C(*)L-D(x)-021-(†)	C(*)L-V2-029-(†)	C(*)L-D(x)-059-(†)	C(*)L-D(x)-059-(†)
9	C(*)L-D(x)-044-(†)	C(*)L-D(x)-036-(†)	C(*)L-V2-044-(†)	C(*)L-D(x)-089-(†)	C(*)L-D(x)-089-(†)
12	C(*)L-D(x)-059-(†)	C(*)L-D(x)-051-(†)	C(*)L-V2-059-(†)	C(*)L-D(x)-119-(†)	C(*)L-D(x)-119-(†)
18	C(*)L-D(x)-081-(†)	C(*)L-D(x)-081-(†)	N/A	N/A	N/A
24	C(*)L-D(x)-111-(†)	C(*)L-D(x)-111-(†)	N/A	N/A	N/A

(*) Material- Insert "A" for .040 aluminum or "P" for 20 Ga. pre-galvanized steel.

(†) Length- Insert 060 for 60", 072 for 72", 120 for 120", or 144 for 144".

(x) Loading Depth- Insert 3, 4 or 6 for applicable depth.

Ordering information Example: CAL-D4-059-120

Aluminum liner for 12" wide bottom rung Data-Track with 4" loading in a ten foot section.

● Green = Fastest shipped items ● Black = Normal lead-time items ● Red = Normally long lead-time items