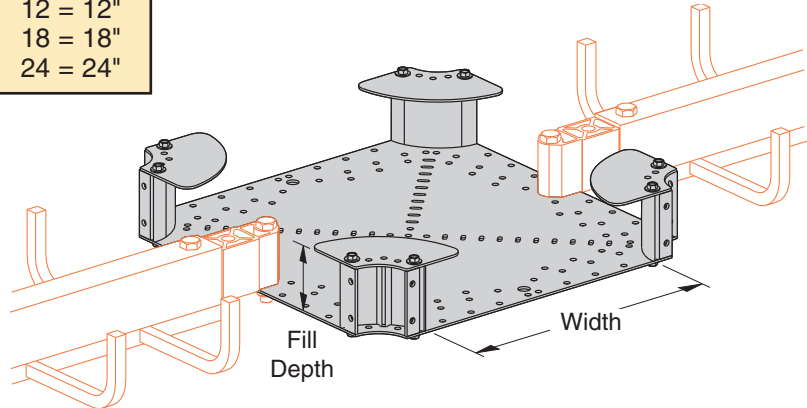


## Universal Hub Fittings

Cat. No.
● U2A-06
● U2A-09
● U2A-12
● U2A-18
● U2A-24
● U3A-06
● U3A-09
● U3A-12
● U3A-18
● U3A-24
● U4A-06
● U4A-09
● U4A-12
● U4A-18
● U4A-24
● U6A-06
● U6A-09
● U6A-12
● U6A-18
● U6A-24

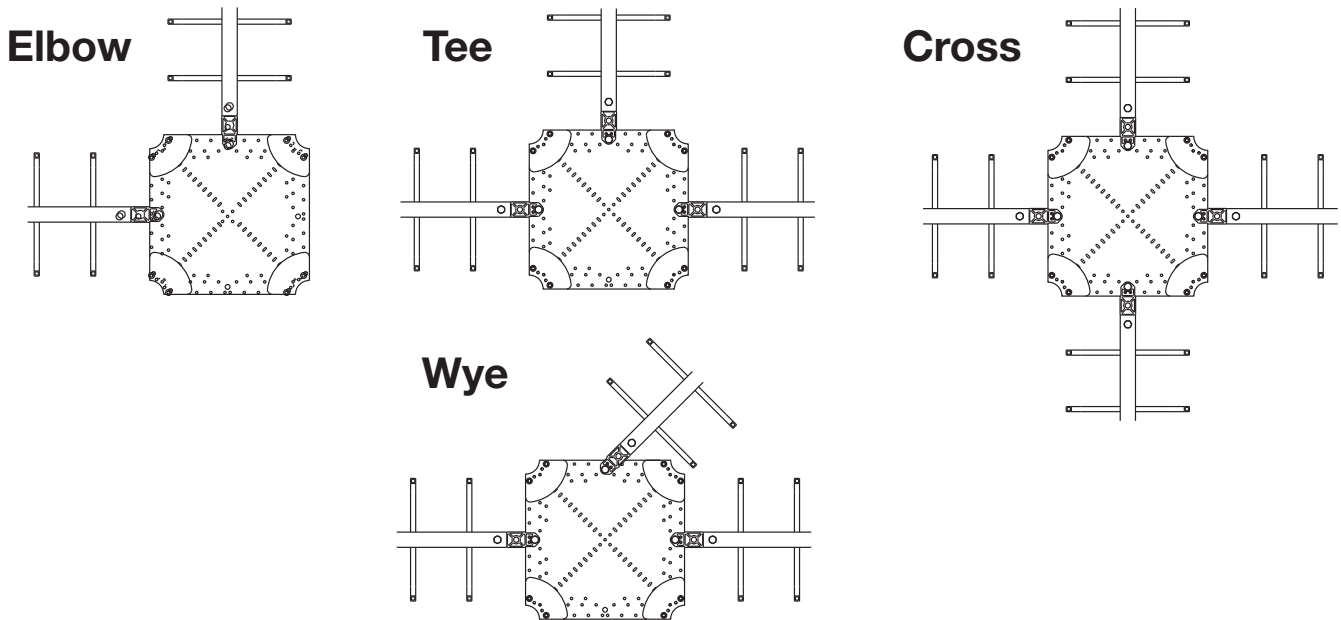
Cat. No.	
<b>U4A-12</b>	
Fill Depth	Width
2 = 2"	06 = 6"
3 = 3"	09 = 9"
4 = 4"	12 = 12"
6 = 6"	18 = 18"
	24 = 24"

Patented (see page 117)



- Connects up to 4 trays in random directions
- Provides an area free of center rails for cable transitions
- Ideal for easy system expansion
- Slots provided for cable tie down
- Order one CAC-UFB pivot connector per tray connection (see page 139)
- Positive cable retention for cables routed around corner post
- UL classified for grounding - 1000 amps

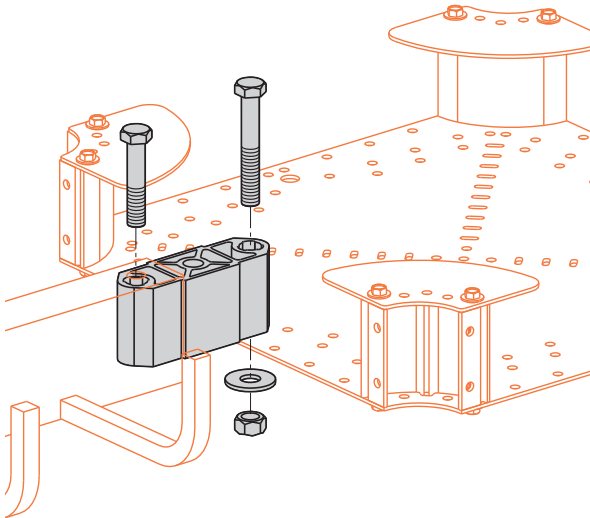
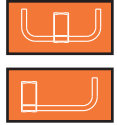
## Typical applications for universal hub fittings:



Note: All connectors are aluminum material and sized for 1/2" zinc plated steel hardware, unless otherwise specified.

● Green = Fastest shipped items    ● Black = Normal lead-time items    ● Red = Normally long lead-time items

## Pivot Connector For Universal Hub Horizontal Application

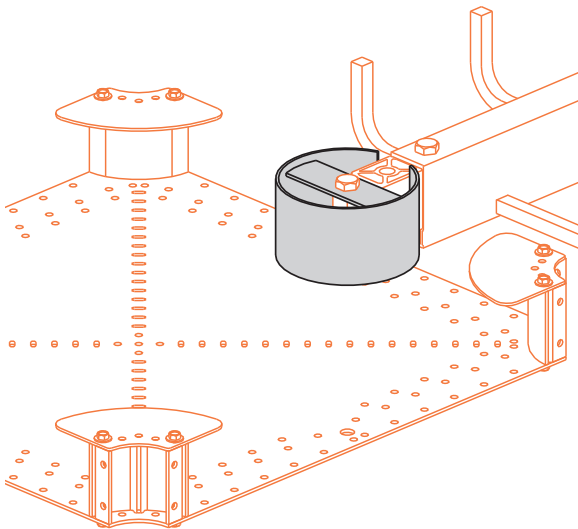


Cat. No.
● CAC-UFB

Patented (see page 117)

- Qwik-Bolt™ design
- Shipped with required hardware
- UL classified for grounding - 1000 amps

## Category 5 Cable Radius Protector



Cat. No.	Tray Depth
● CAM-PR253	3
● CAM-PR254	4
● CAM-PR256	6

- Designed to provide a 2<sup>1</sup>/<sub>2</sub>" cable bend radius
- Mounts directly over the horizontal pivot connector using the existing hardware
- Made from aluminum

Note: All connectors are aluminum material and sized for 1/2" zinc plated steel hardware, unless otherwise specified.

● Green = Fastest shipped items    ● Black = Normal lead-time items    ● Red = Normally long lead-time items