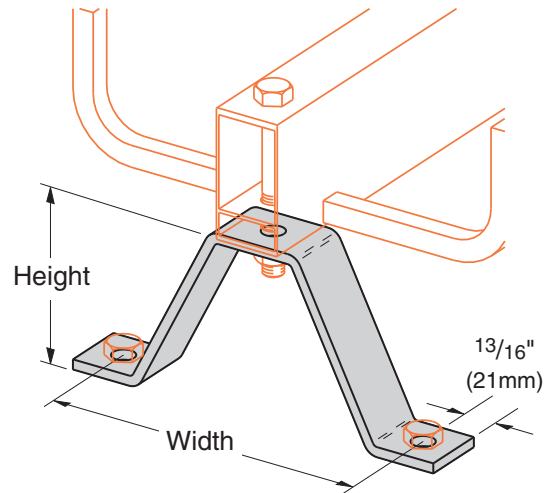




## Floor Stands

Cat. No.	Height		Width	
	in.	(mm)	in.	(mm)
● <b>B381</b>	2 <sup>3</sup> / <sub>8</sub>	(60.3)	6	(152.4)
● <b>B382</b>	4 <sup>3</sup> / <sub>8</sub>	(111.1)	8	(203.2)
● <b>B383</b>	6 <sup>3</sup> / <sub>8</sub>	(161.9)	10	(254.0)
● <b>B384</b>	8 <sup>3</sup> / <sub>8</sub>	(212.7)	12	(304.8)
● <b>B385</b>	10 <sup>3</sup> / <sub>8</sub>	(263.5)	14	(355.6)



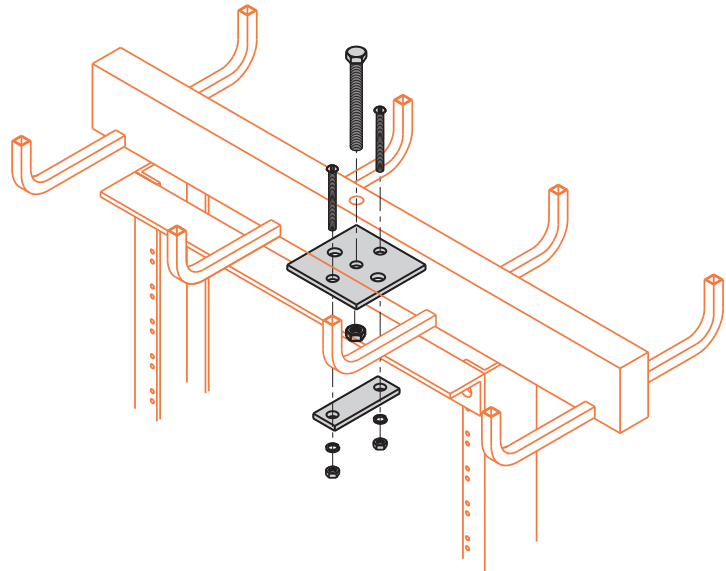
- Zinc plated steel construction
- 9/16" (14mm) holes



## Relay Rack Mounting Bracket

Cat. No.
● <b>SB-2133-CR</b>

- ASTM A36 Steel
- Yellow zinc dichromate
- Includes: Mounting plates
  - 1 - 1/2" x 4 1/2" HHCS
  - 1 - 1/2" hex nut
  - 2 - 5/16" x 3" SRHMS
  - 2 - 5/16" hex nuts
  - 2 - 5/16" lockwashers



Note: All connectors are aluminum material and sized for 1/2" zinc plated steel hardware, unless otherwise specified.

● Green = Fastest shipped items    ● Black = Normal lead-time items    ● Red = Normally long lead-time items