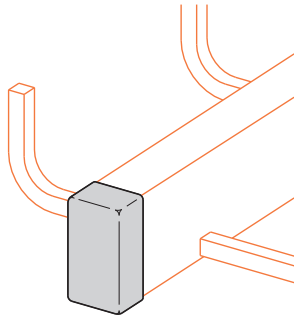


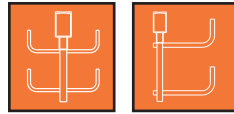


Plastic Center Rail End Cap

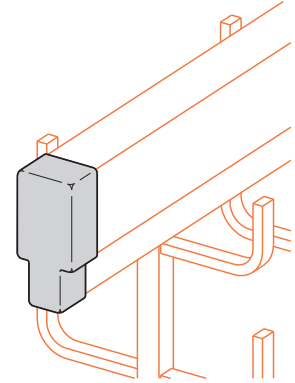


Cat. No.
● **CPLM-EC10-Gray**

- Fits over end of center rail
- Gray PVC material
- Field installation

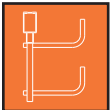


Plastic Center Rail End Cap

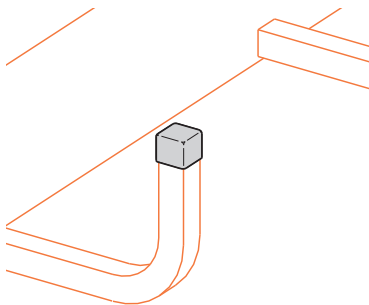


Cat. No.
● **CPLM-EC20-Gray**

- Fits over end of center rail
- Gray PVC material
- Field installation



Plastic Rung End Cap



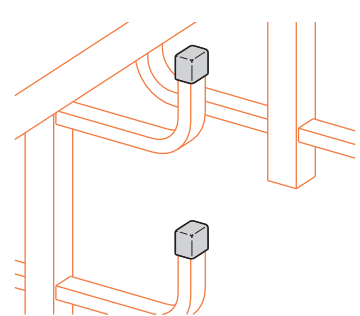
Cat. No.
● **CPLM-EC30-***

* Insert color:
Gray is standard
Optional- red, white, purple,
blue, yellow, orange, black

- Fits over end of rungs
- Used for cable identification
- PVC material
- Field installation



Plastic Rung End Cap

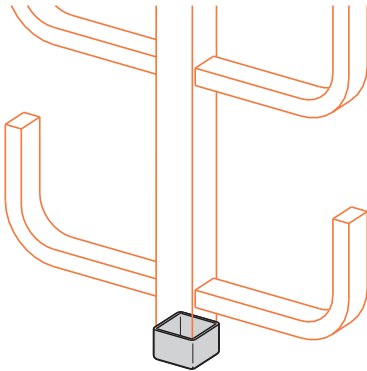


Cat. No.
● **CPLM-EC40-***

* Insert color:
Gray is standard
Optional- red, white, purple,
blue, yellow, orange, black

- Fits over end of rungs
- Used for cable identification
- PVC material
- Field installation

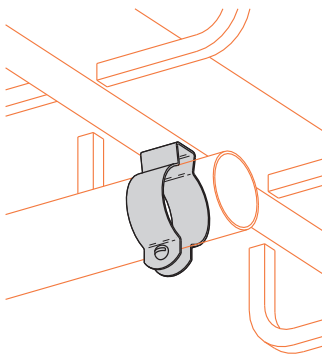
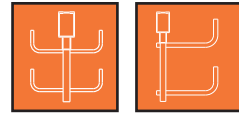
● Green = Fastest shipped items ● Black = Normal lead-time items ● Red = Normally long lead-time items



Plastic Trunk End Cap

Cat. No.
● CPLM-EC50-Gray

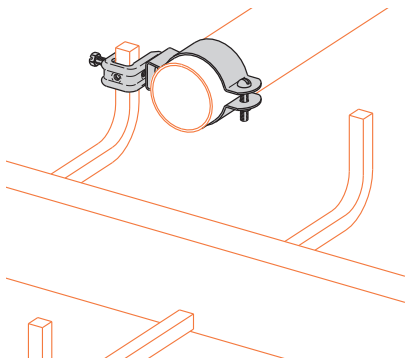
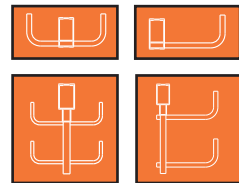
- Fits over end of vertical trunk
- Gray PVC Material
- Field installation



Conduit Adapter

Cat. No.	Conduit Size		Mounting Hardware Size	
	in.	(mm)	in.	(mm)
● BL1400	1/2	(15)	1/4	(6)
● BL1410	3/4	(20)	1/4	(6)
● BL1420	1	(25)	1/4	(6)
● BL1430	1 1/4	(32)	1/4	(6)
● BL1440	1 1/2	(40)	5/16	(8)
● BL1450	2	(50)	5/16	(8)
● BL1460	2 1/2	(65)	5/16	(8)
● BL1470	3	(80)	5/16	(8)
● BL1480	3 1/2	(90)	5/16	(8)
● BL1490	4	(100)	5/16	(8)

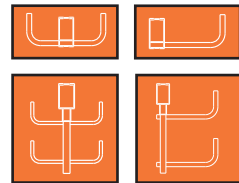
- Designed to support or suspend light-duty stationary conduit runs
- Zinc plated steel
- Attaches to tray center rail (mounting hardware not included)



Conduit Adapter

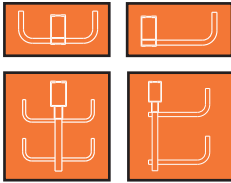
Cat. No.	Conduit Size	
	in.	(mm)
● BL1400-C442	1/2	(15)
● BL1410-C442	3/4	(20)
● BL1420-C442	1	(25)
● BL1430-C442	1 1/4	(32)
● BL1440-C442	1 1/2	(40)
● BL1450-C442	2	(50)

- Connects conduit to Cent-R-Rail®
- Easy one rung installation
- Positions conduit between rungs
- Shipped assembled with hardware



● Green = Fastest shipped items ● Black = Normal lead-time items ● Red = Normally long lead-time items

Cent-R-Rail™ - Accessories



Conduit Adapter

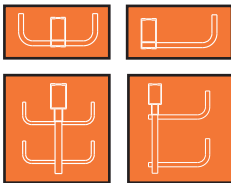
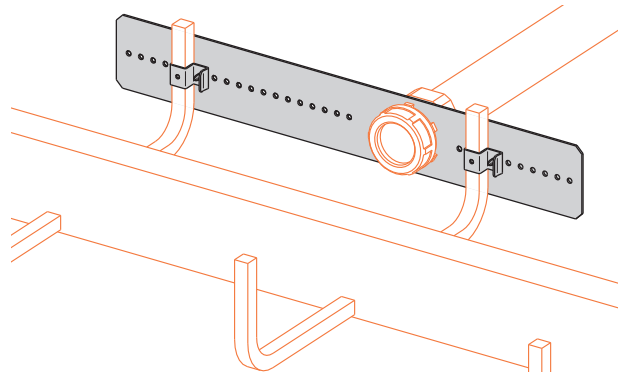
6" (152mm) thru 12" (305mm) rung spacing		
Cat. No.	Conduit Size Punched	
	in.	(mm)
● CAM-CA1S-1/2	1/2	(15)
● CAM-CA1S-3/4	3/4	(20)
● CAM-CA1S-1	1	(25)
● CAM-CA1S-1 1/4	1 1/4	(32)
● CAM-CA2S-1 1/2	1 1/2	(40)
● CAM-CA2S-2	2	(50)
● CAM-CA2S-2 1/2	2 1/2	(65)
● CAM-CA3S-3	3	(80)
● CAM-CA3S-3 1/2	3 1/2	(90)
● CAM-CA3S-4	4	(100)

18" (457mm) thru 24" (609mm) rung spacing		
Cat. No.	Conduit Size Punched	
	in.	(mm)
● CAM-CA1L-1/2	1/2	(15)
● CAM-CA1L-3/4	3/4	(20)
● CAM-CA1L-1	1	(25)
● CAM-CA1L-1 1/4	1 1/4	(32)
● CAM-CA2L-1 1/2	1 1/2	(40)
● CAM-CA2L-2	2	(50)
● CAM-CA2L-2 1/2	2 1/2	(65)
● CAM-CA3L-3	3	(80)
● CAM-CA3L-3 1/2	3 1/2	(90)
● CAM-CA3L-4	4	(100)

6" (152mm) thru 12" (305mm) rung spacing		
Cat. No.	Conduit Size Unpunched	
	in.	(mm)
● CAM-CA1S	1/2 thru 1 1/4	(15) thru (32)
● CAM-CA2S	1 1/2 thru 2 1/2	(40) thru (65)
● CAM-CA3S	3 thru 4	(80) thru (100)

18" (457mm) thru 24" (609mm) rung spacing		
Cat. No.	Conduit Size Unpunched	
	in.	(mm)
● CAM-CA1L	1/2 thru 1 1/4	(15) thru (32)
● CAM-CA2L	1 1/2 thru 2 1/2	(40) thru (65)
● CAM-CA3L	3 thru 4	(80) thru (100)

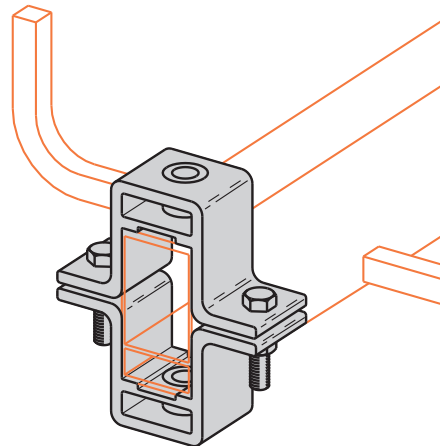
- Connects conduit to Cent-R-Rail™
- Supported by two rungs for stability
- Allows variable positioning between rungs
- Items included:
 - mounting body
 - 2 rung attachment clips with #10 self-drilling screws



Drill Fixture

Cat. No.
● CAM-DF

- Locates splice holes to be drilled in field cut trays
- Used to mark cut lines square
- Requires 9/16" diameter drill bit (not included)



● Green = Fastest shipped items ● Black = Normal lead-time items ● Red = Normally long lead-time items