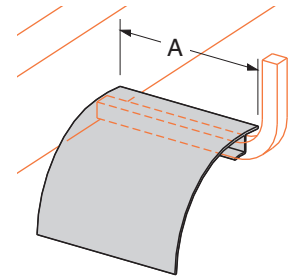


Cable Drop-Out

- Provides 3.25" (82mm) bend radius
- Attaches to horizontal section of rung
- Self-drilling screw included
- Part number for one side only

Cat. No.	A in.
● CAM-DO-1	1
● CAM-DO-2	2
● CAM-DO-3	3
● CAM-DO-4	4
● CAM-DO-5	5
● CAM-DO-7	7
● CAM-DO-8	8
● CAM-DO-10	10
● CAM-DO-11	11



Tray Width in.	Recommended Drop-out Width A*			
	DATA-TRACK® Bottom Rung	DATA-TRACK® Top Rung	Half-Rack®	Multi-Tier Half-Rack®
3	N/A	N/A	2	2
6	2	1	5	5
9	3	2	8	8
12	5	4	11	11
18	7	7	N/A	N/A
24	10	10	N/A	N/A

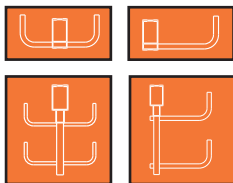
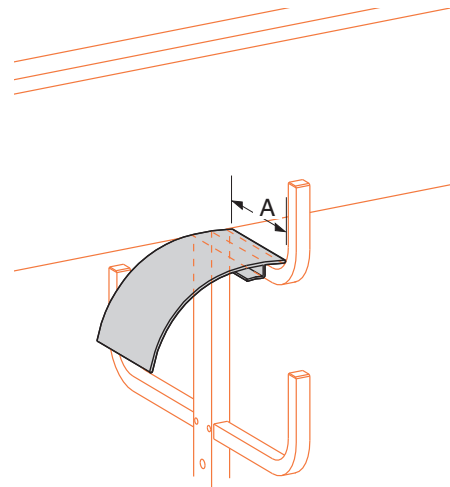
* Indicates widest Drop-out that will fit in tray



Verti-Rack™ Drop-Out

Cat. No.	A in.
● CAM-VDO-1	1.5
● CAM-VDO-2 ^{1/2}	3
● CAM-VDO-4	4.5
● CAM-VDO-5 ^{1/2}	6

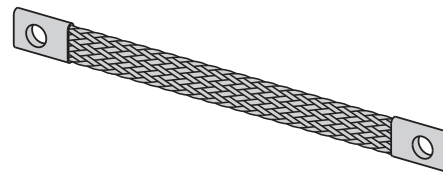
- Provides 3.25" (82mm) bend radius
- Attaches to horizontal section of rung
- Self-drilling screw included
- Part number for one side only



Grounding Jumper

Cat. No.
● CAM-GJ

- Tin plated copper
- 1000 Amps maximum fuse amperage rating
- 12" (305mm) overall length
- Provides electrical continuity between trays
- Required with expansion splice hangers and when trays are discontinuous
- For up to 1/2" hardware - not provided



● Green = Fastest shipped items ● Black = Normal lead-time items ● Red = Normally long lead-time items